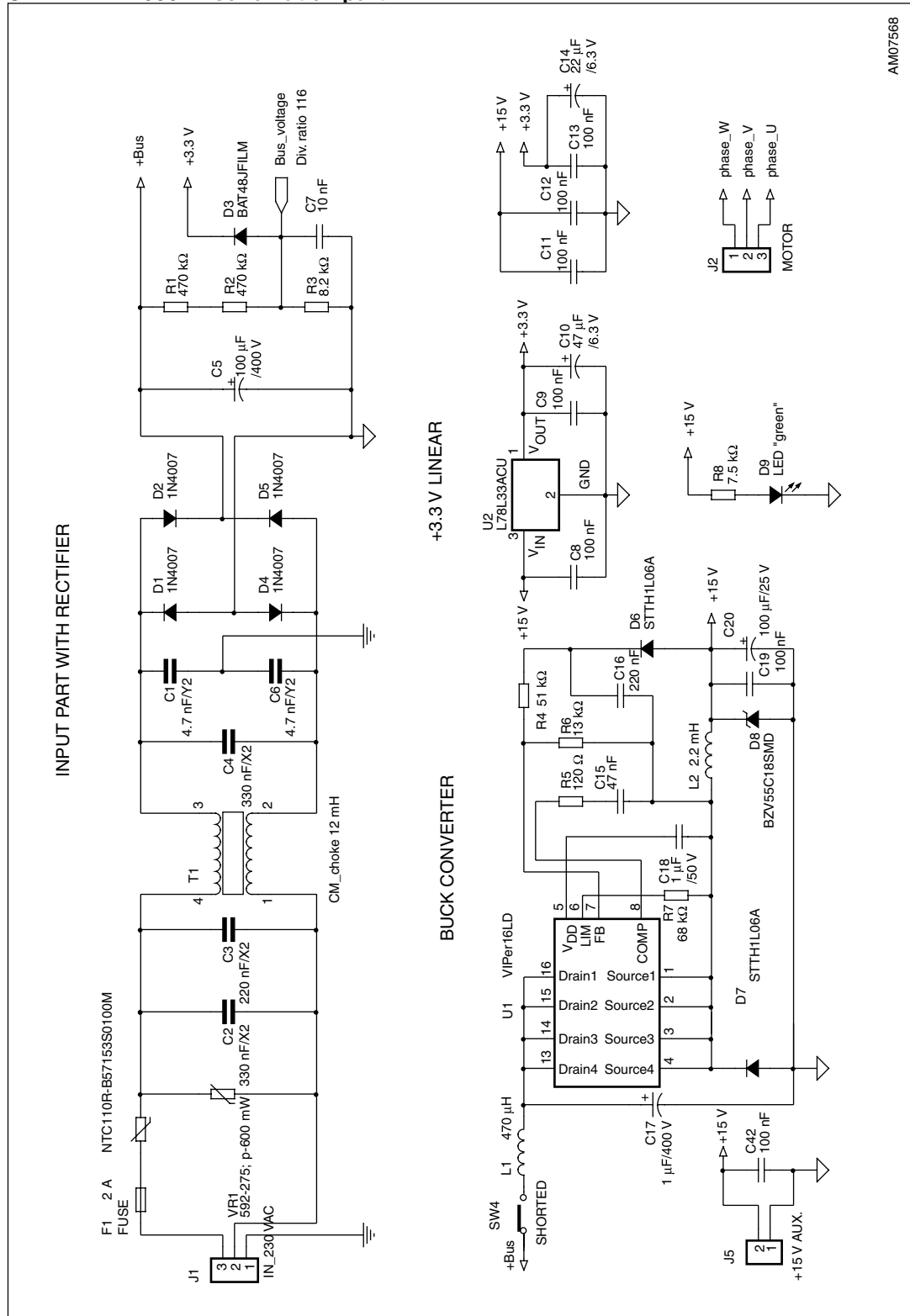
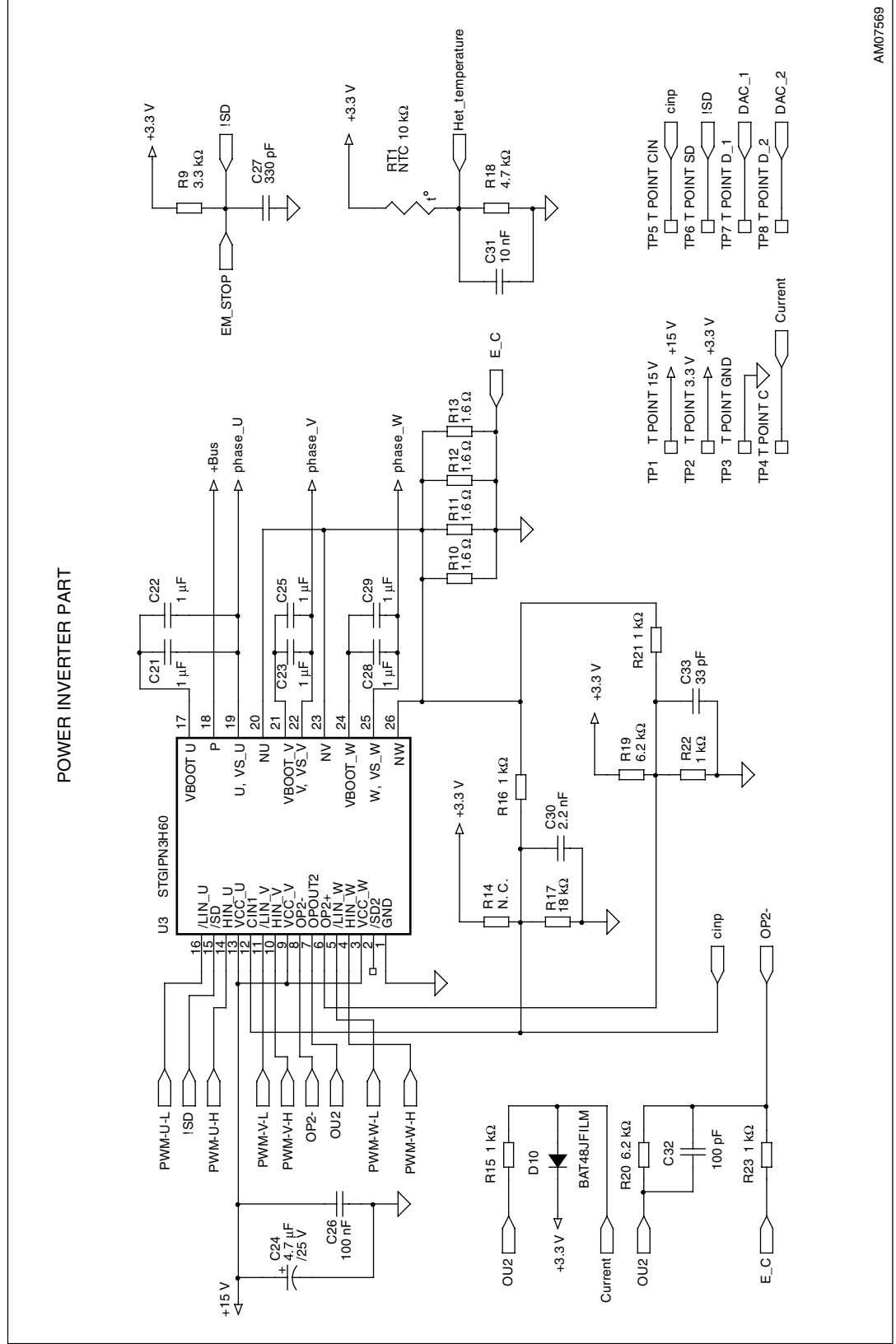


STEVAL-IHM036V1 The board schematic

STEVAL-IHM036V1 schematic - part 1



STEVAL-IHM036V1 schematic - part 2



STEVAL-IHM036V1 schematic - part 3

