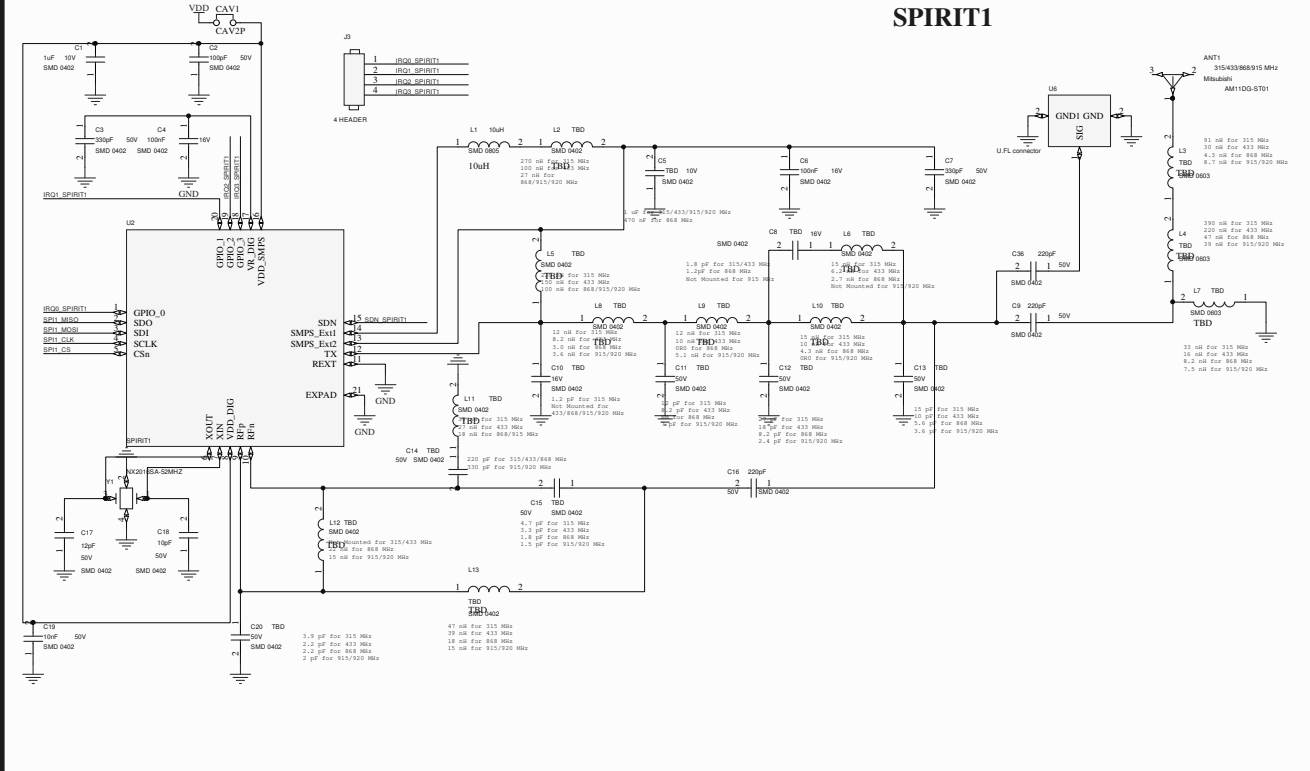
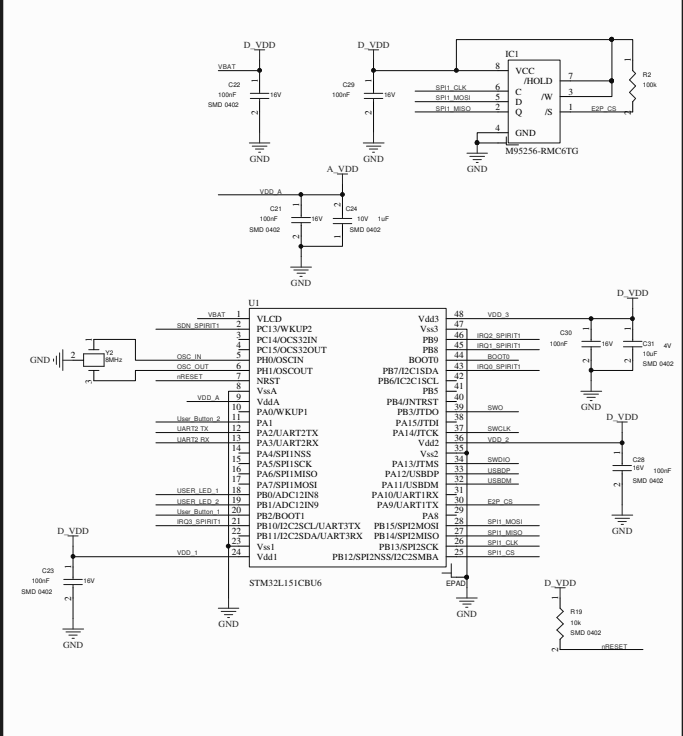
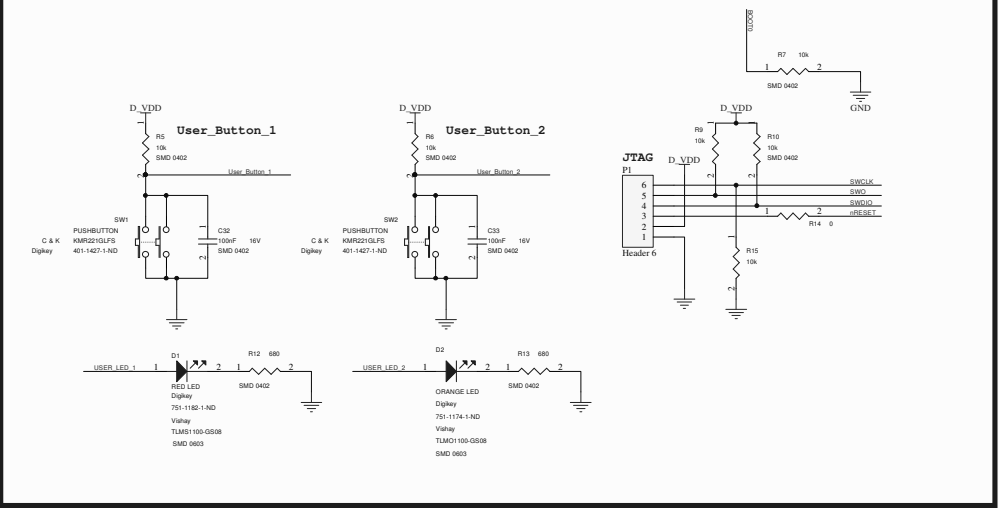


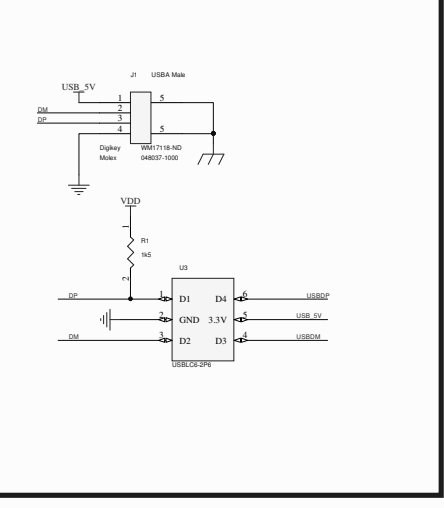
MCU - Oscillator - MCU Voltage



SWD & Boot, User_Leds, User_Buttons



USB



Power Mgmt stage

