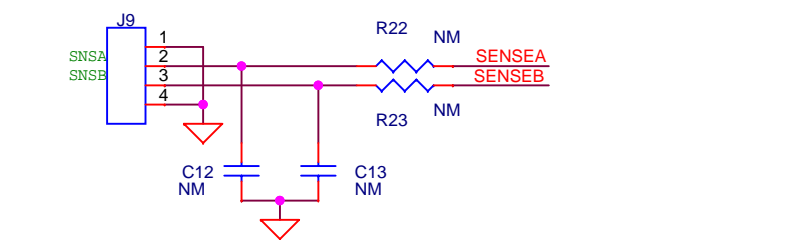
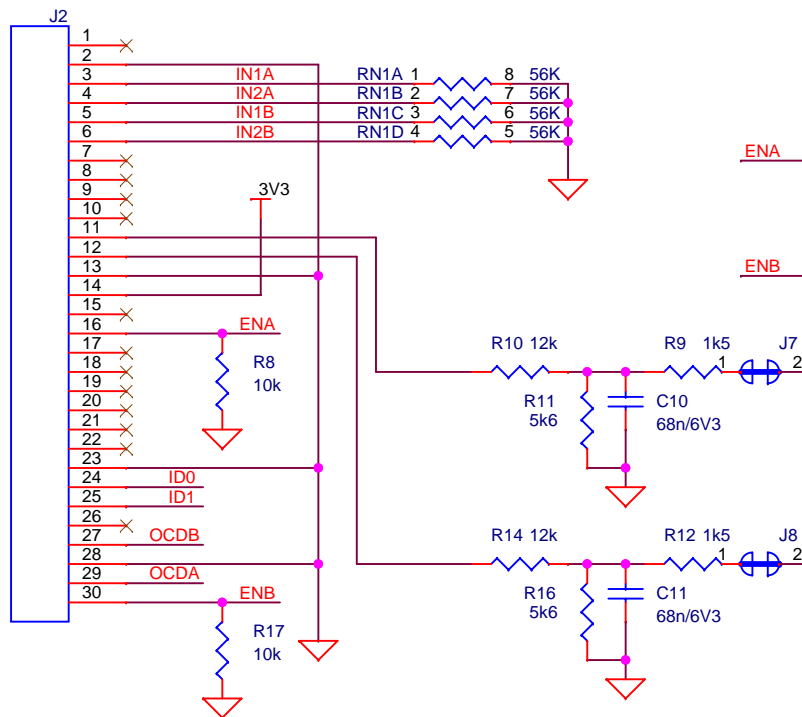
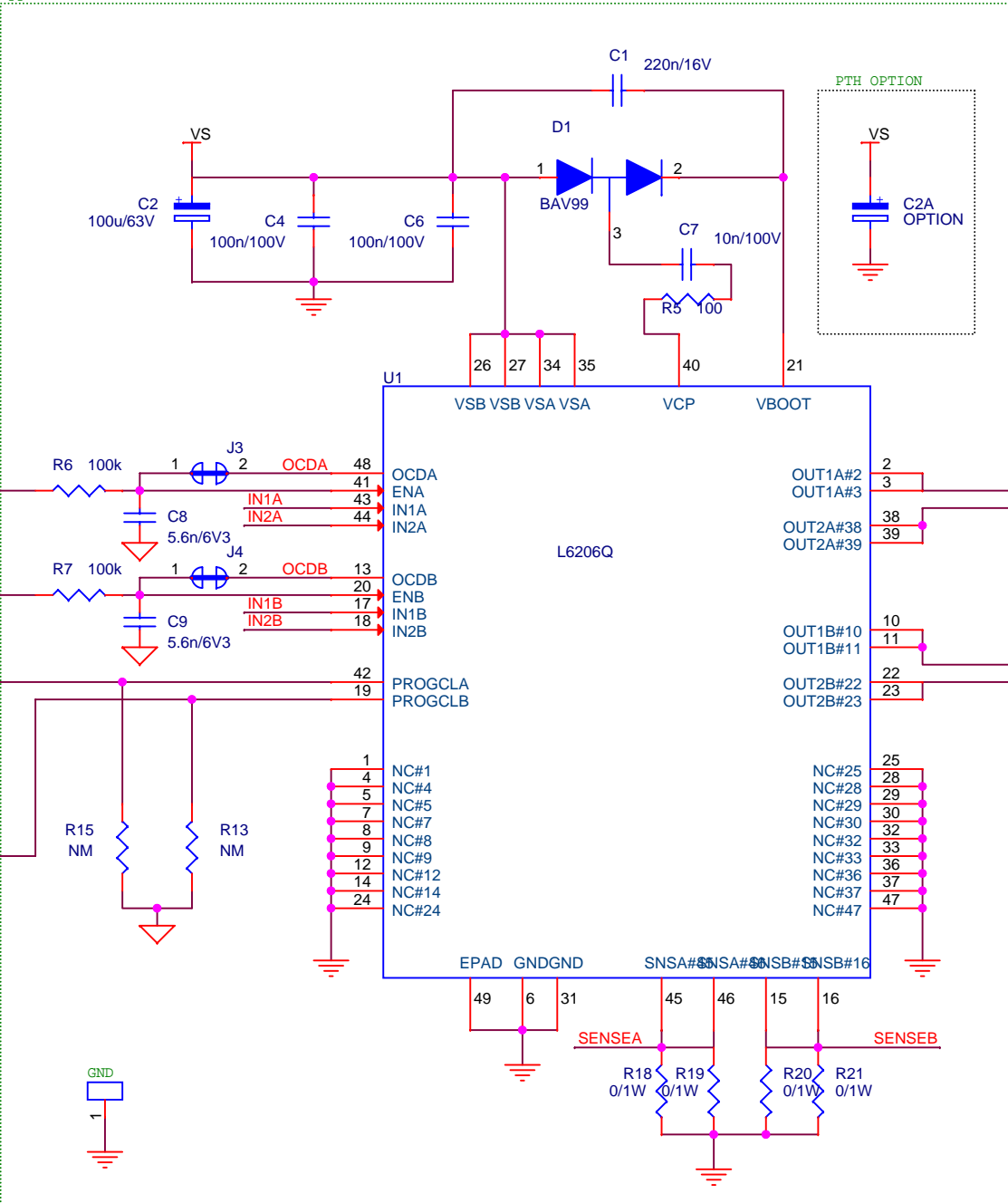


Application reference



Title		EVAL6206Q	
Size	A4	Document Number	Rev 1.0
Date:	Monday, January 30, 2012	Sheet	1 of 1