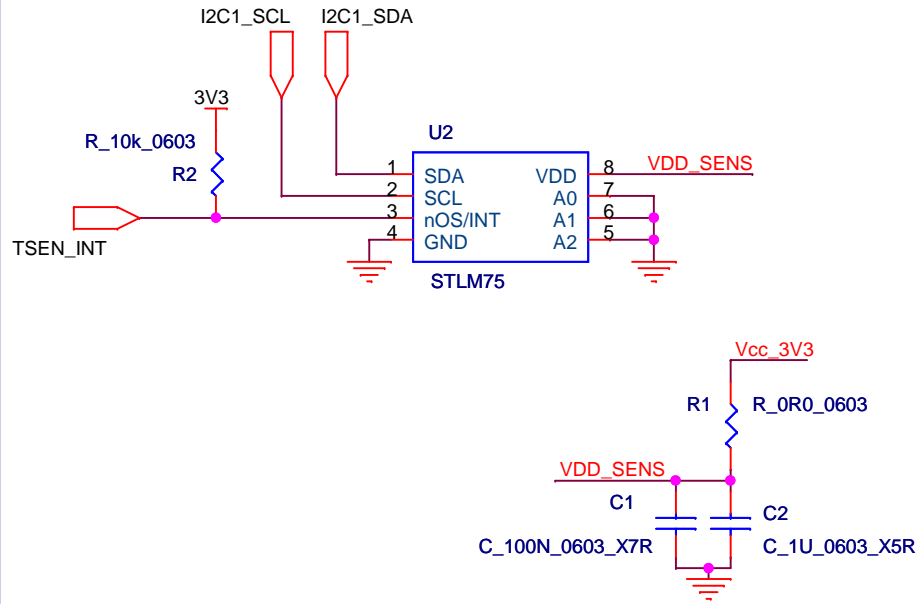
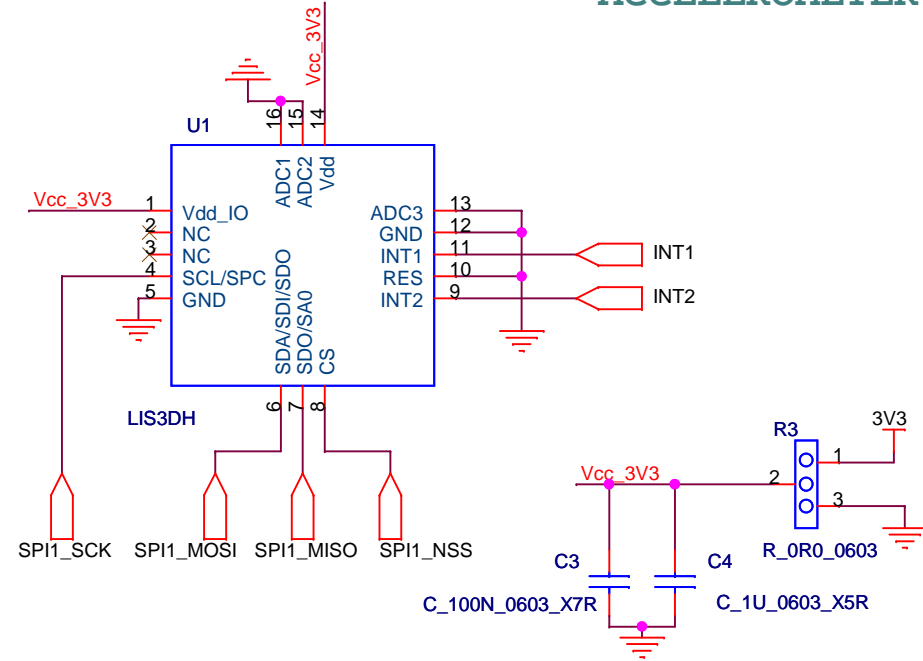


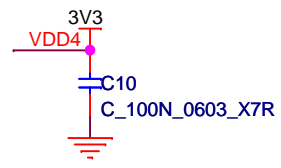
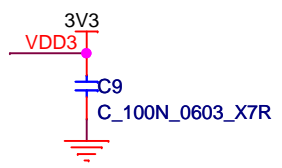
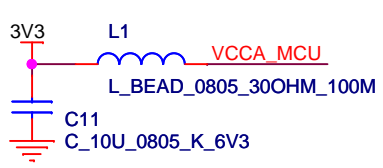
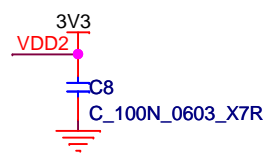
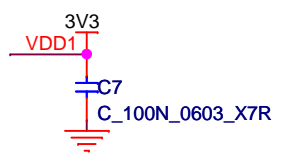
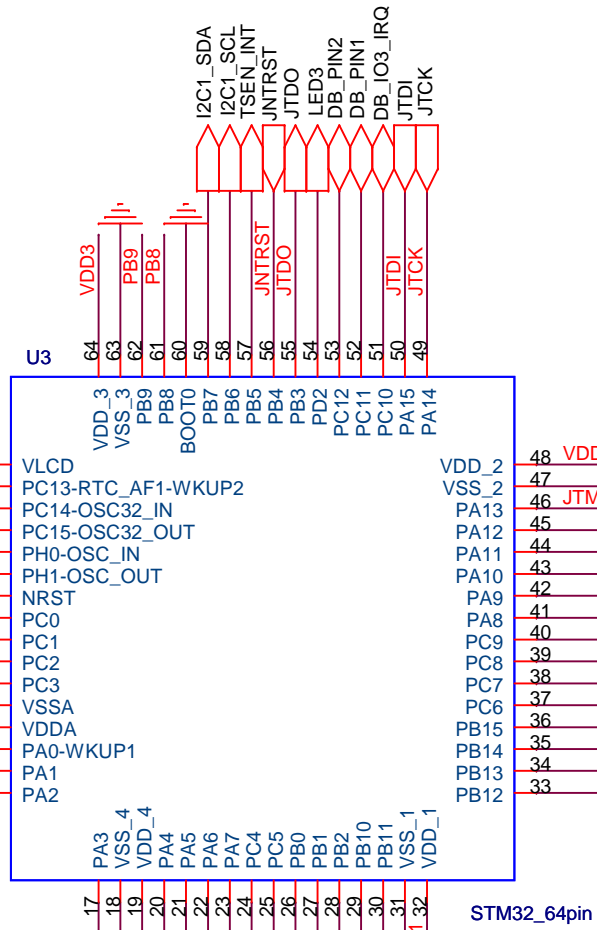
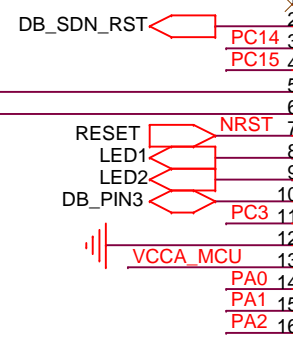
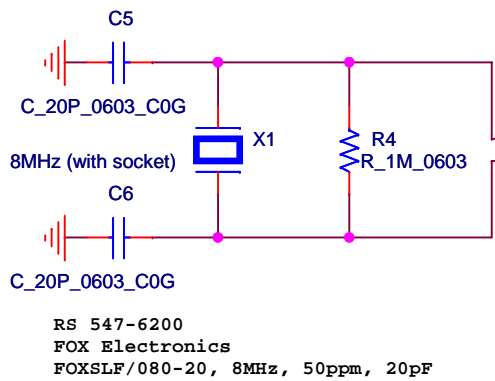
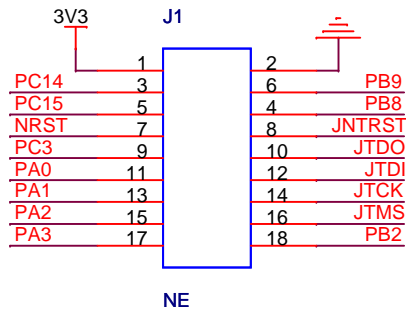
TEMPERATURE SENSOR



ACCELEROMETER

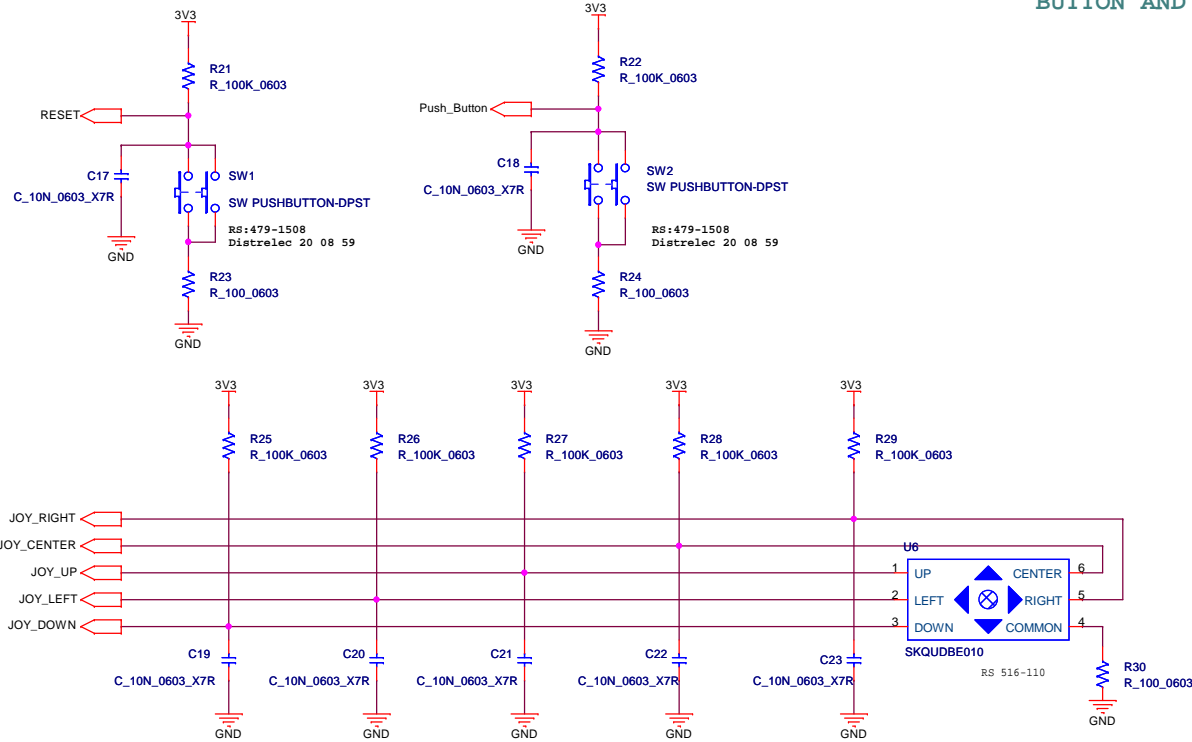


Title		
ACCELEROMETER AND TEMPERATURE SENSOR		
Size	Document Number	Rev
A	1	A
Date:	Thursday, April 11, 2013	Sheet 1 of 4

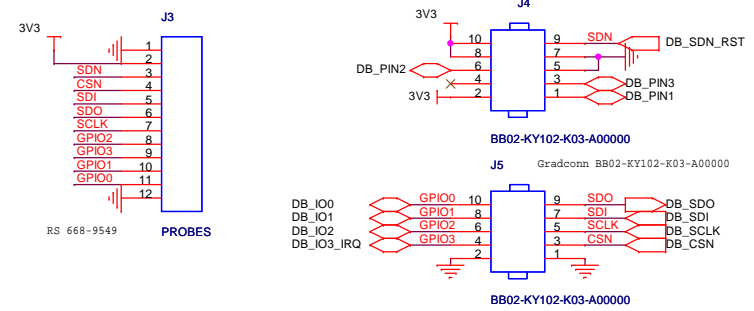


Title		
MCU		
Size	Document Number	Rev
A	1	A
Date:	Thursday, April 11, 2013	Sheet 2 of 4

BUTTON AND JOYSTICK

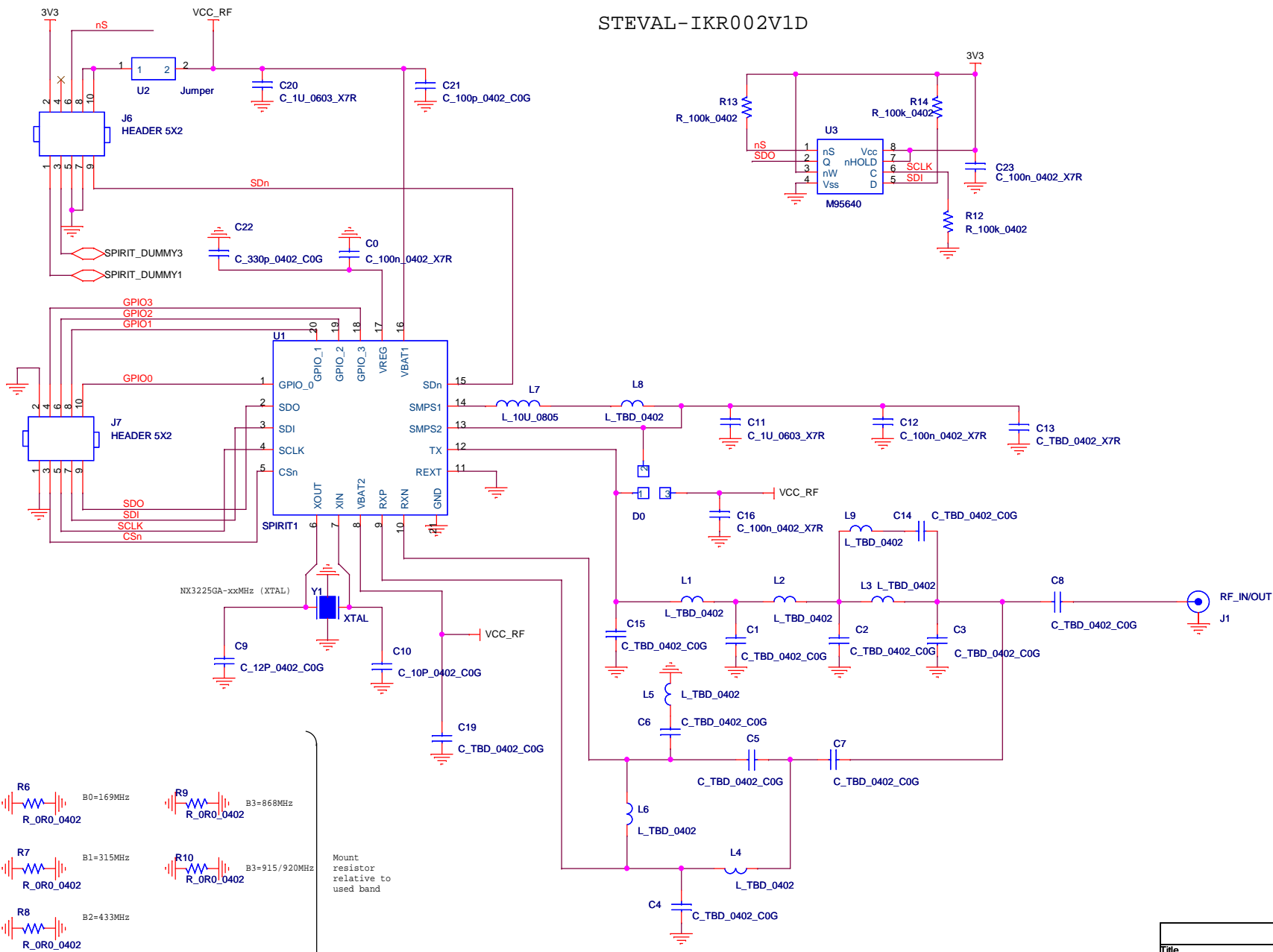


DAUGHTERBOARD CONNECTORS



Title		
CONNECTORS BUTTON AND JOYSTICK		
Size	Document Number	Rev
A3	1	A
Date:	Thursday, April 11, 2013	Sheet 4 of 4

STEVAL-IKR002V1D



- R6 B0=169MHz
R_0R0_0402
- R7 B1=315MHz
R_0R0_0402
- R8 B2=433MHz
R_0R0_0402
- R9 B3=868MHz
R_0R0_0402
- R10 B3=915/920MHz
R_0R0_0402

Mount resistor relative to used band

Title		
SPIRIT1 RF PCB vers 4		
Size	Document Number	Rev
B	1.0	1.0
Date:	Thursday, April 18, 2013	Sheet 1 of 1