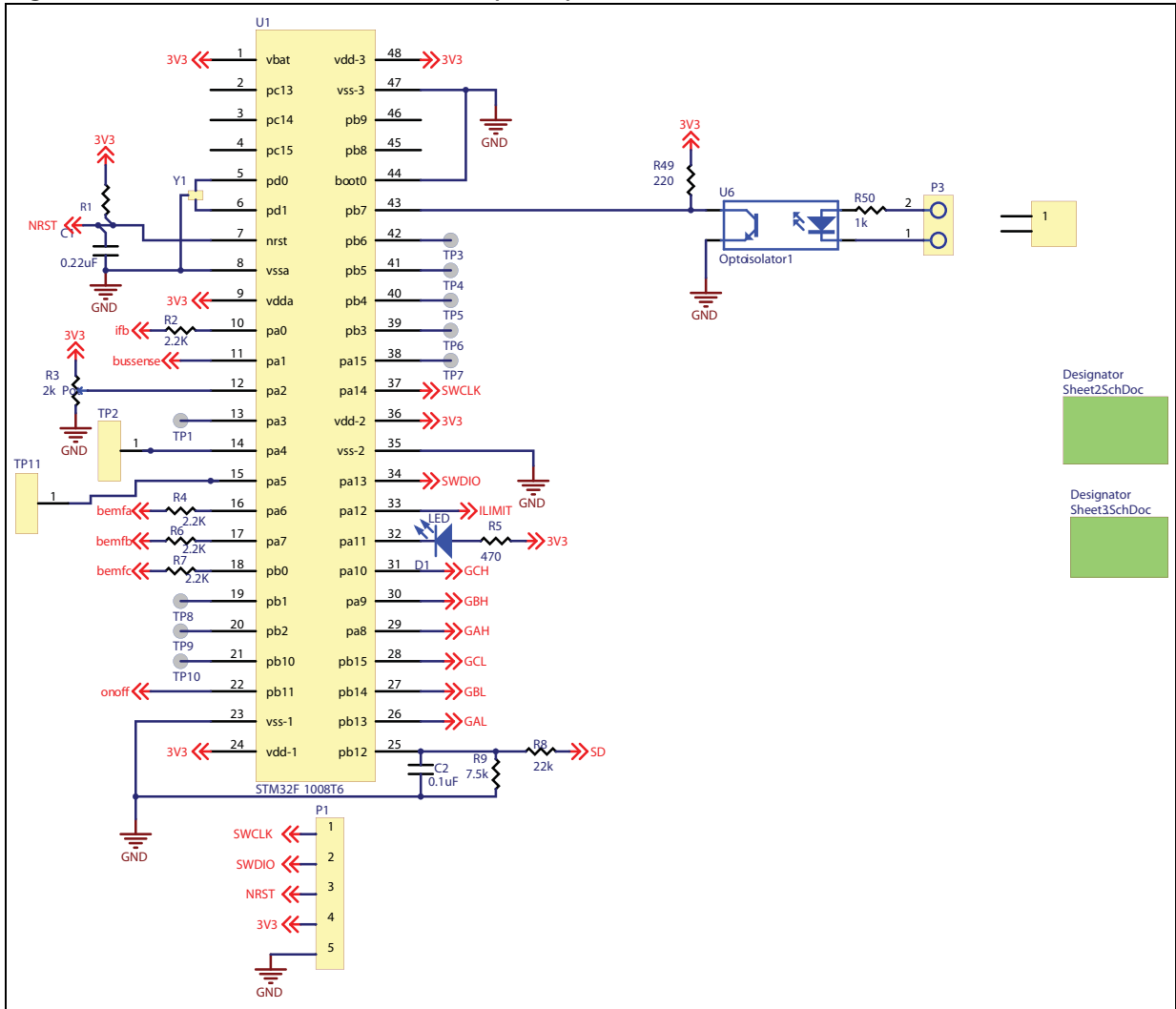


# STEVAL-IHM040V1

# Schematic diagrams

Figure 1. SLLIMM-based BLDC driver (1 of 3)



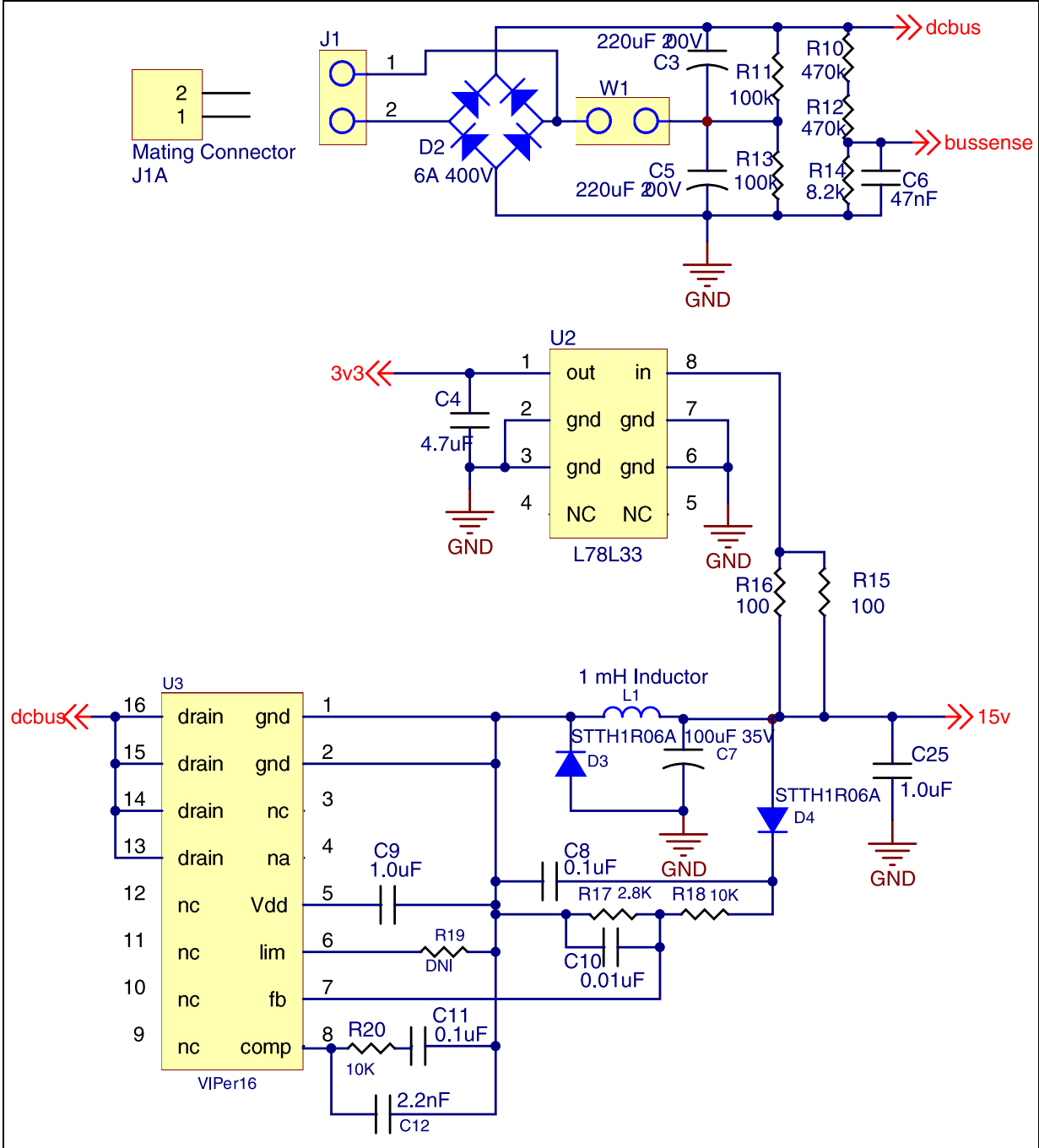
Designator Sheet2SchDoc



Designator Sheet3SchDoc



Figure 2. SLLIMM-based BLDC driver (2 of 3)



**Figure 3. SLLIMM-based BLDC driver (3 of 3)**

