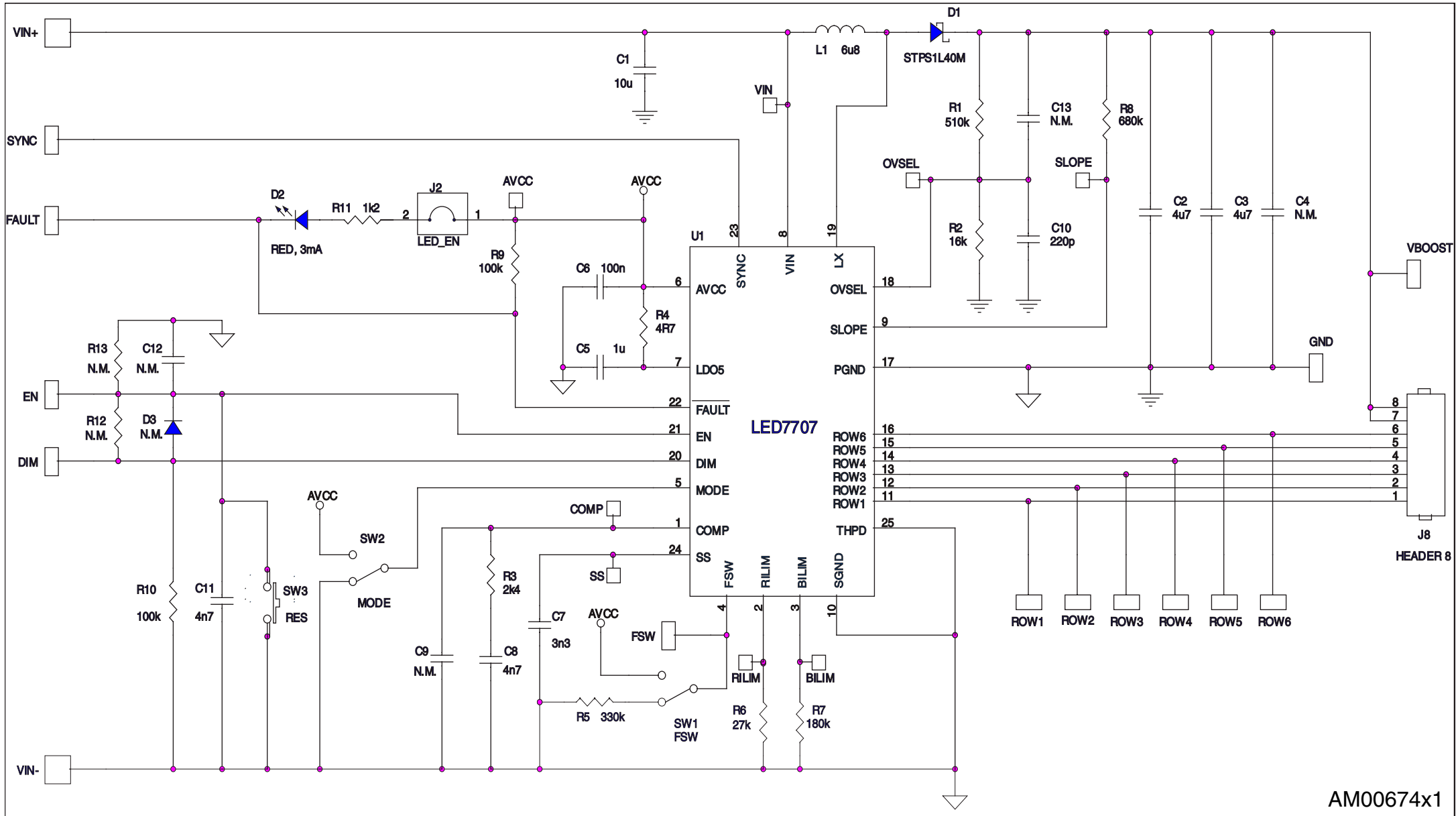


STEVAL-ILL021V1 board schematic



AM00674x1