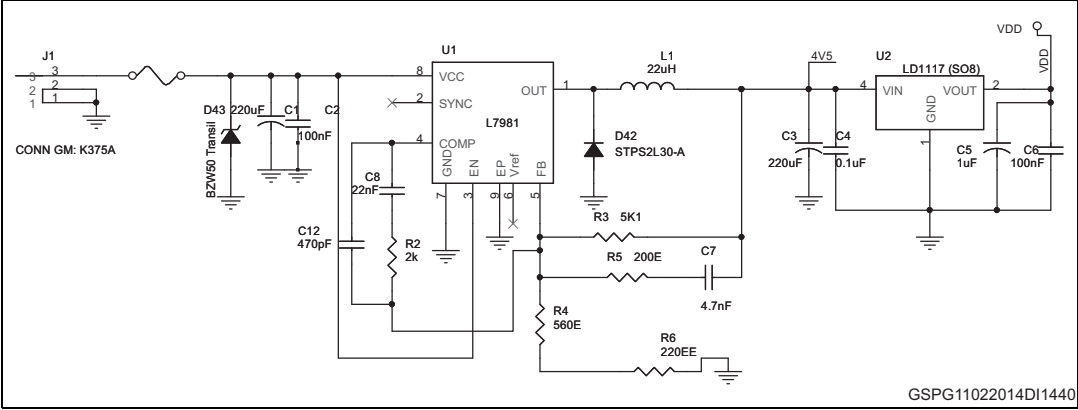


# STEVAL-ILL062V1

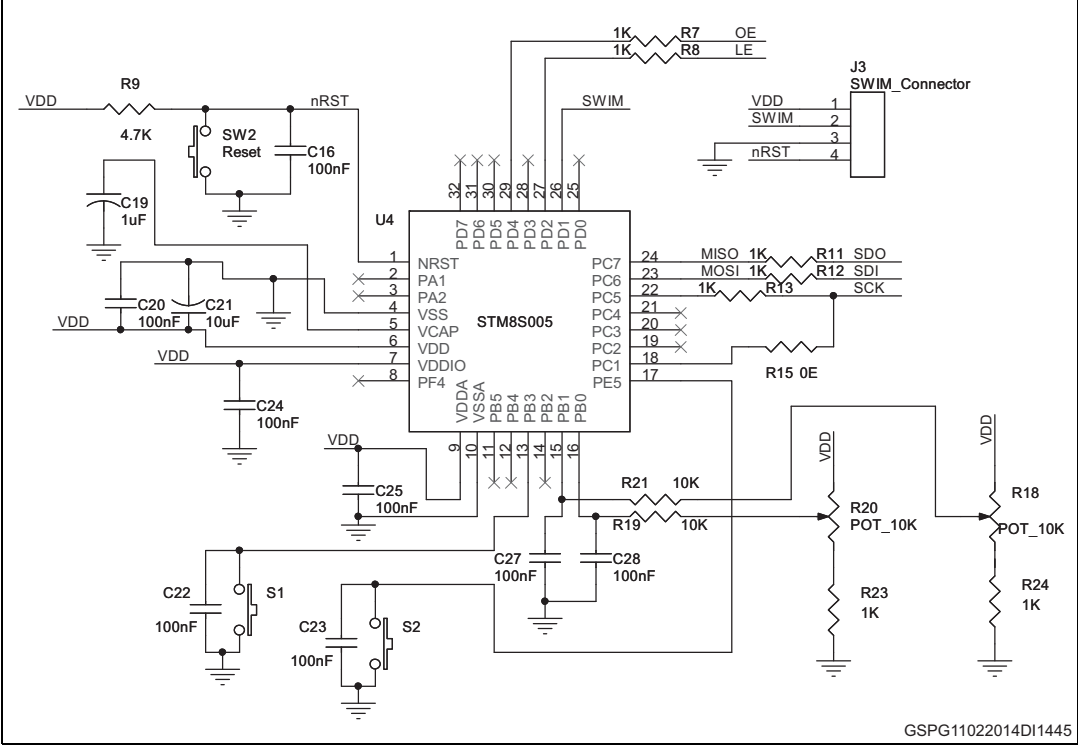
# Schematic diagrams

### Figure 1. Power section



GSPG11022014DI1440

### Figure 2. Microcontroller



GSPG11022014DI1445

Figure 3. Jumpers to simulate open circuit

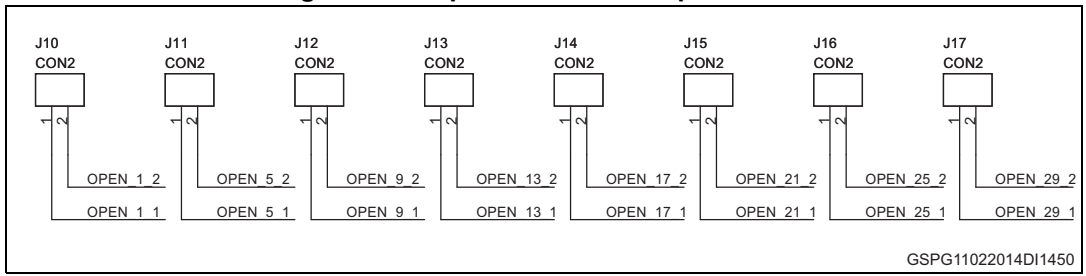


Figure 4. LED driver

