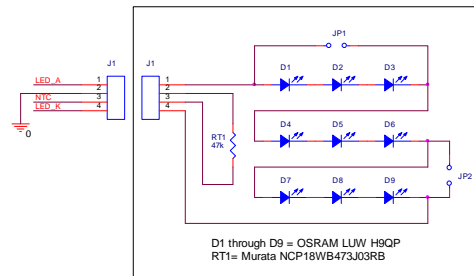
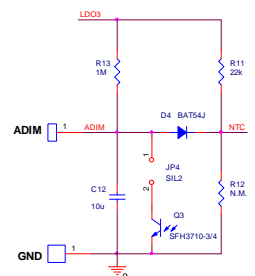
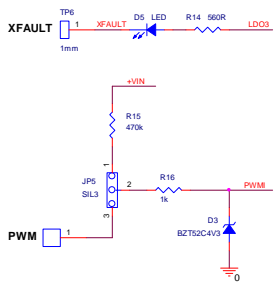
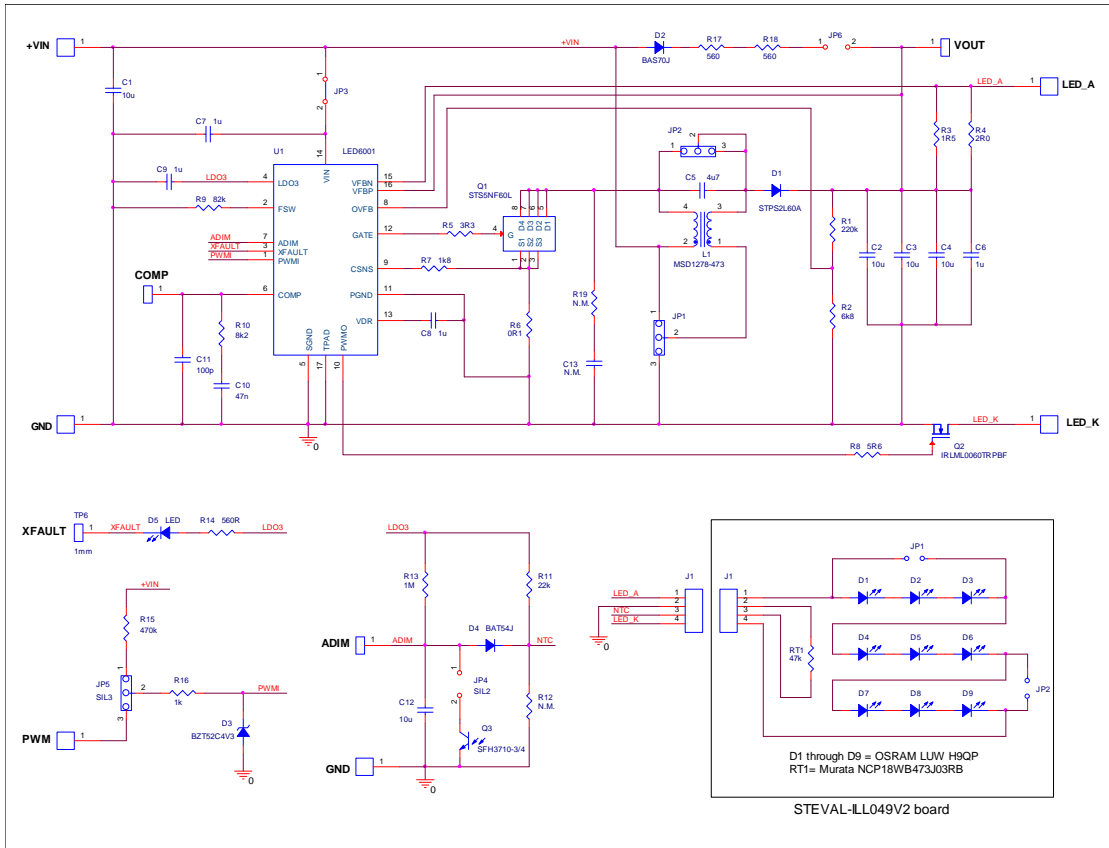


STEVAL-ILL049V1 (and STEVAL-ILL049V2) demo-board schematic



D1 through D9 = OSRAM LUW H9QP
 RT1 = Murata NCP18WB473J03RB

STEVAL-ILL049V2 board