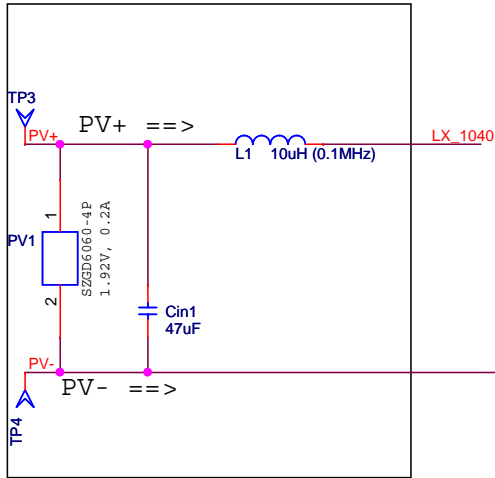
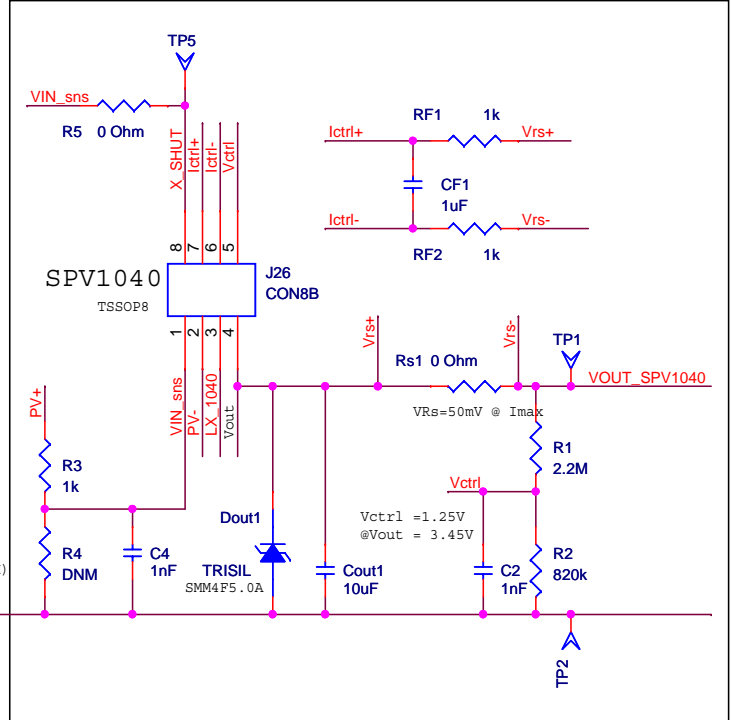


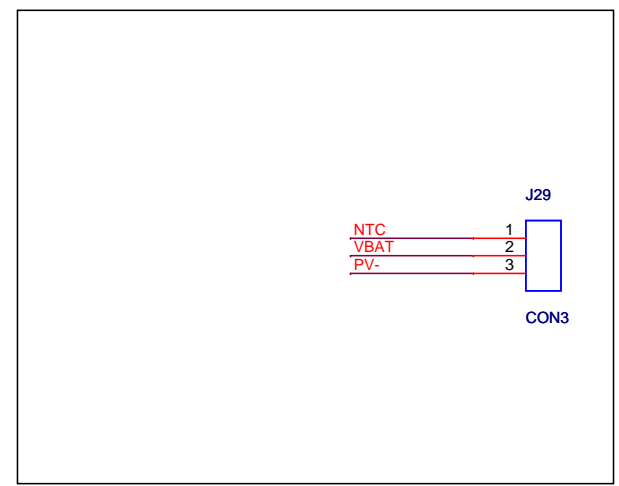
SUPPLY SECTION



SPV1040, MPPT BOOST

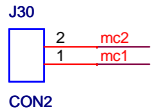
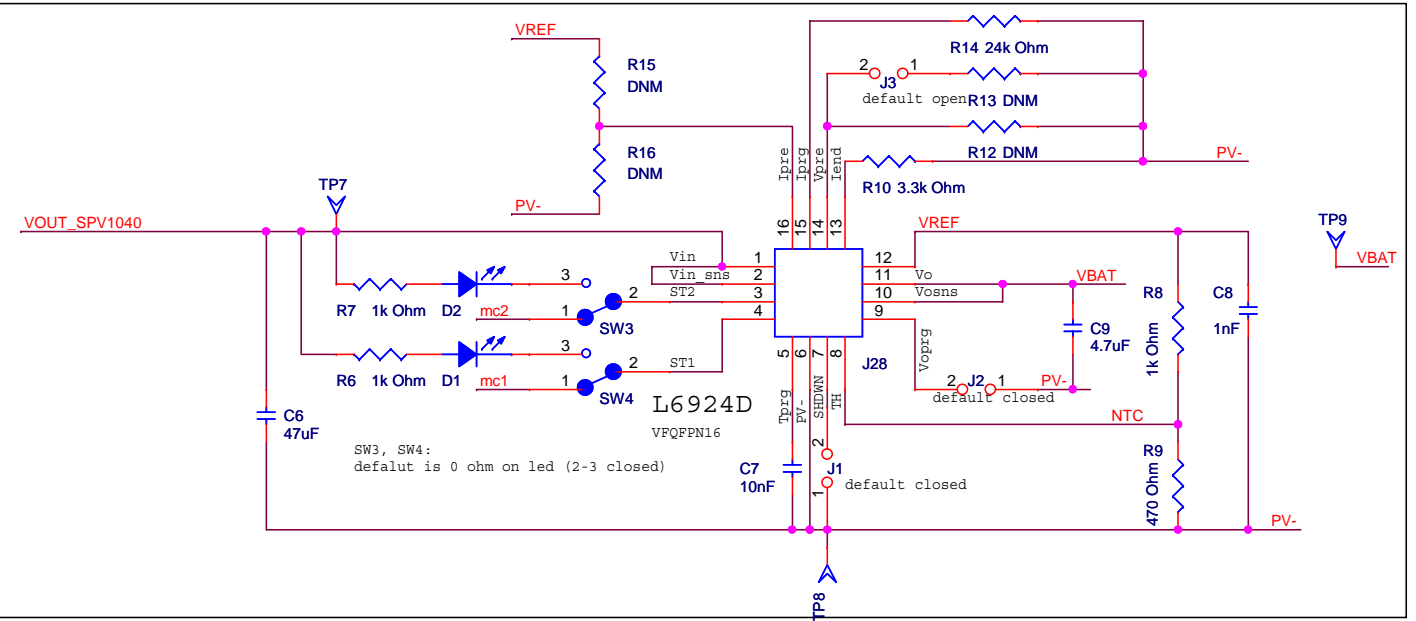


uC and Battery Section



STEVAl-ISV012V1

L6924, Li-Ion Battery Charger



SW3, SW4:  
defalut is 0 ohm on led (2-3 closed)

