

Figure 1. Schematic diagram (part 1)

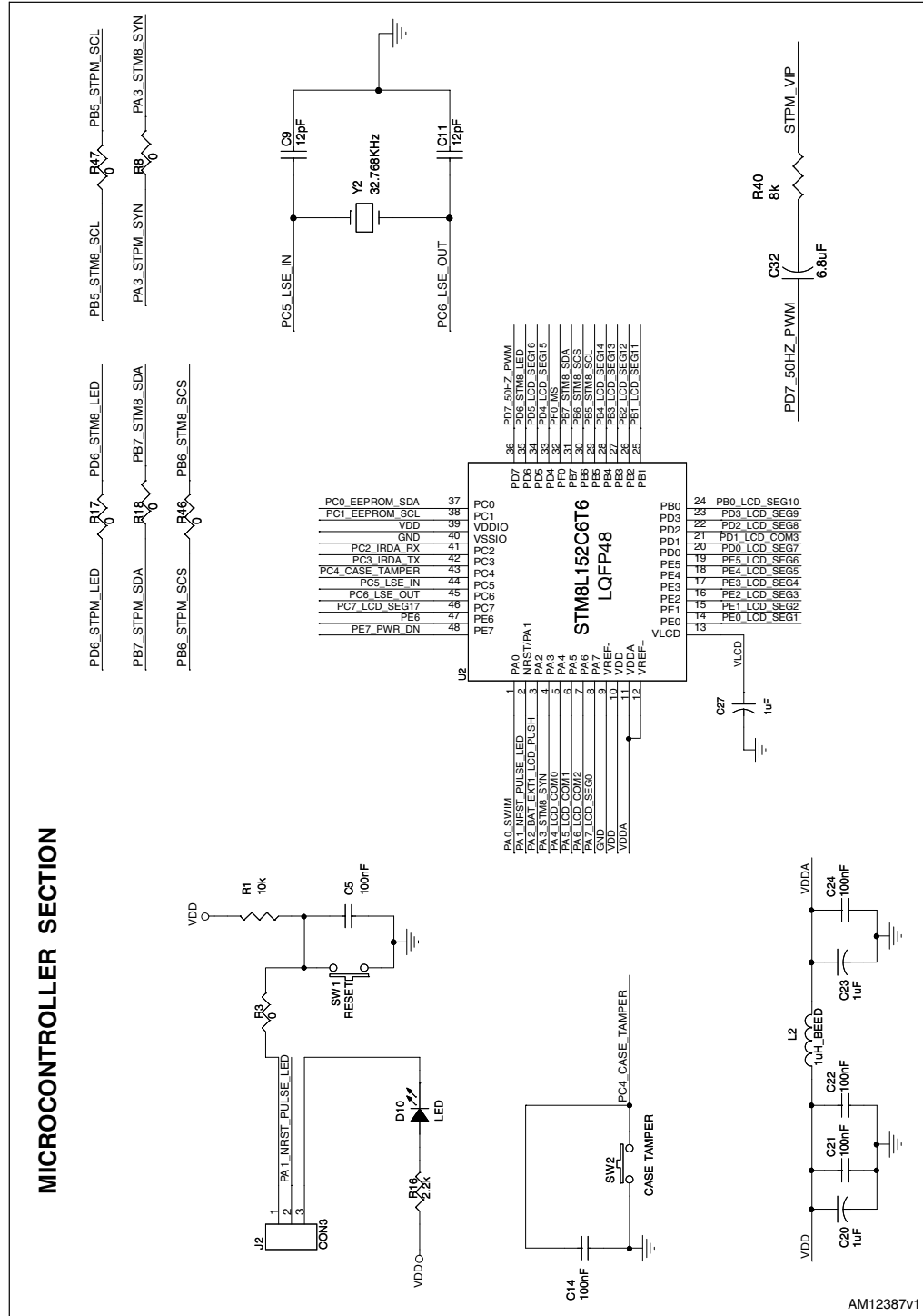


Figure 2. Schematic diagram (part 2)

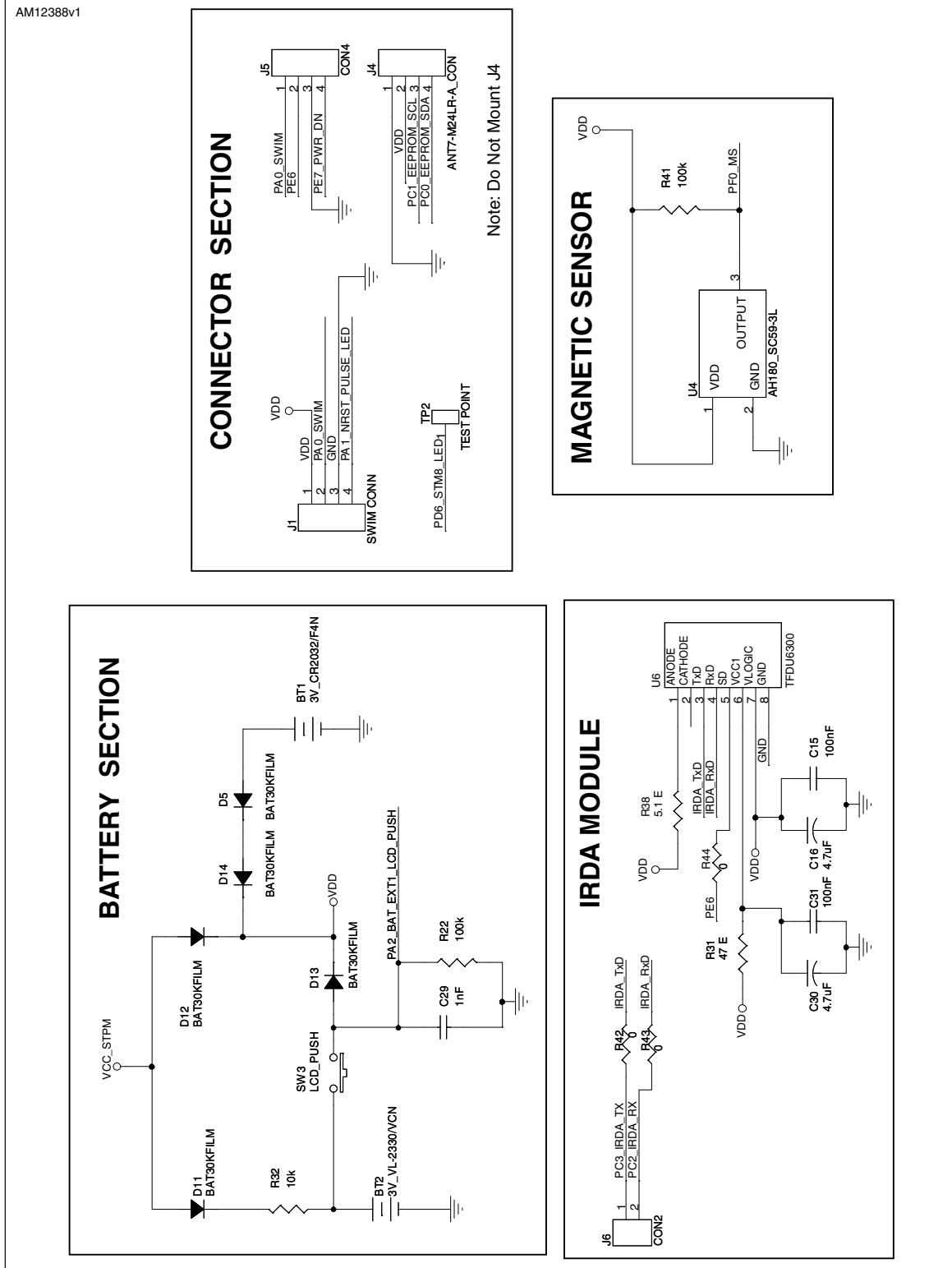


Figure 3. Schematic diagram (part 3)

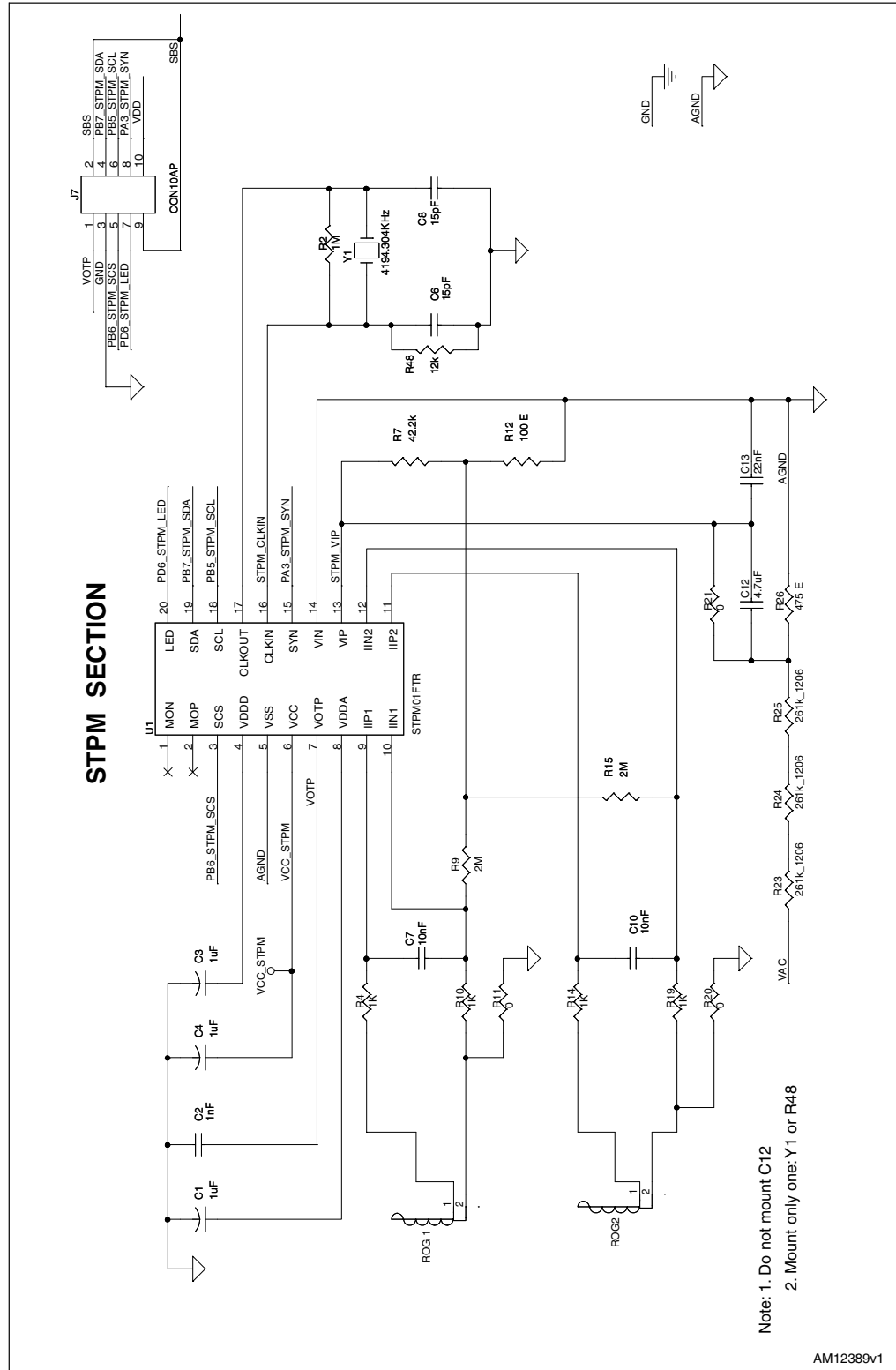


Figure 4. Schematic diagram (part 4)

