

STEVAL-MKI109V2

Schematic diagrams

Figure 1. Circuit schematic (1 of 2)

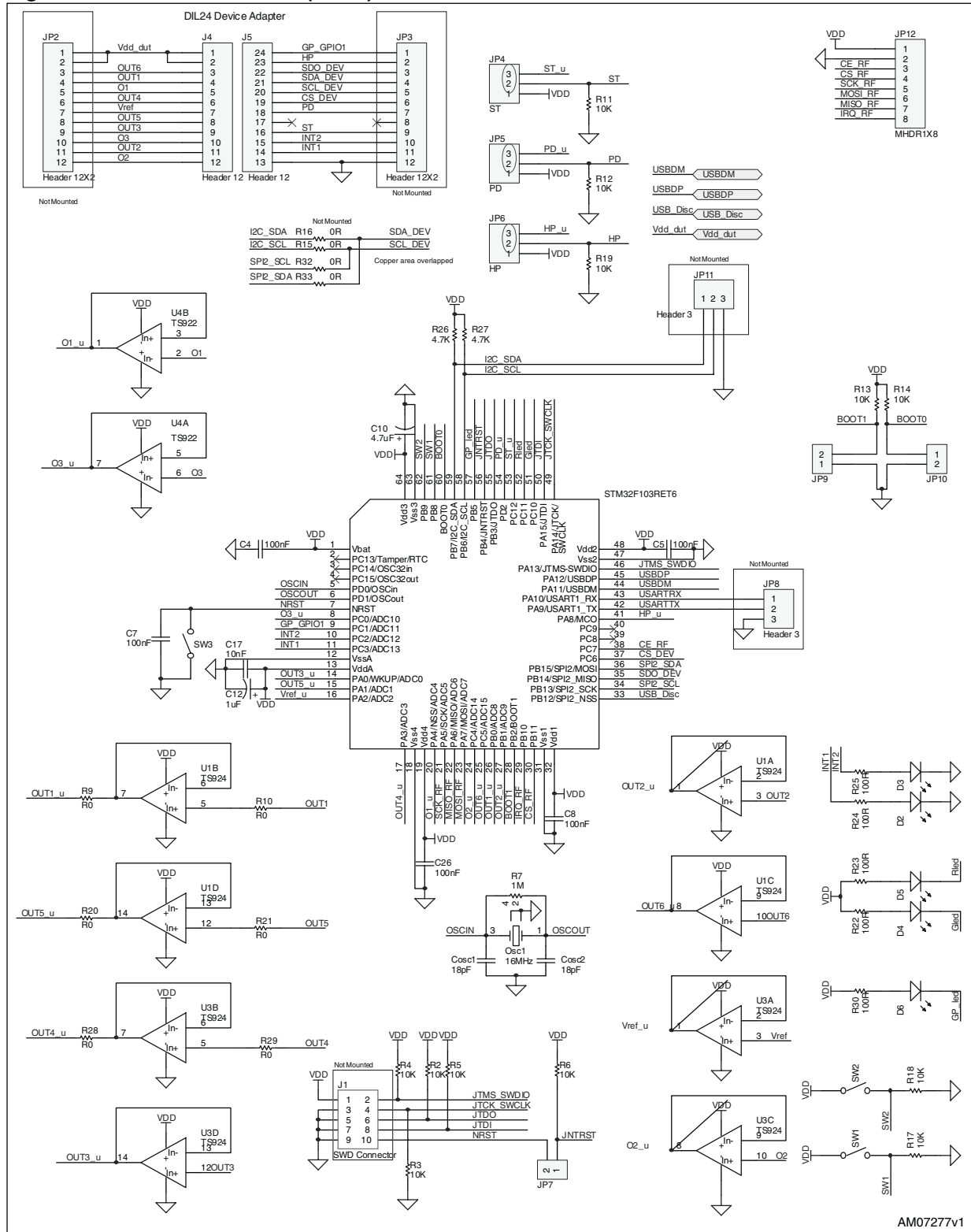


Figure 2. Circuit schematic (2 of 2)

