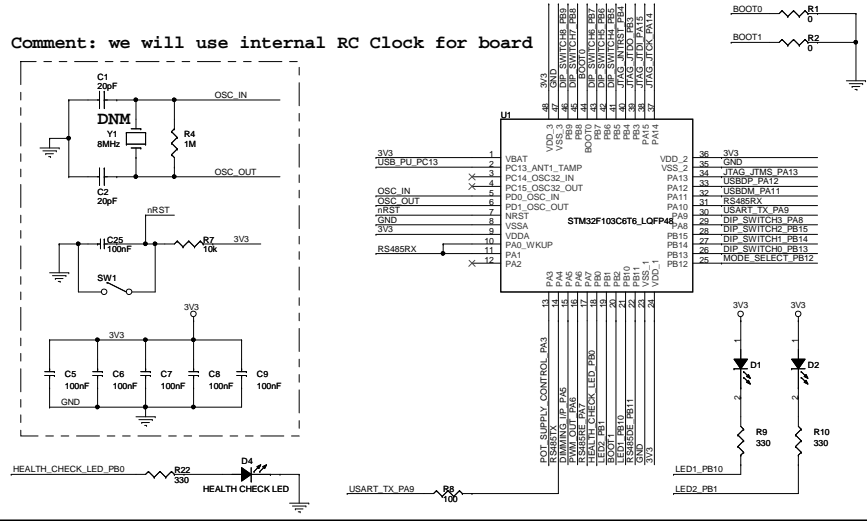
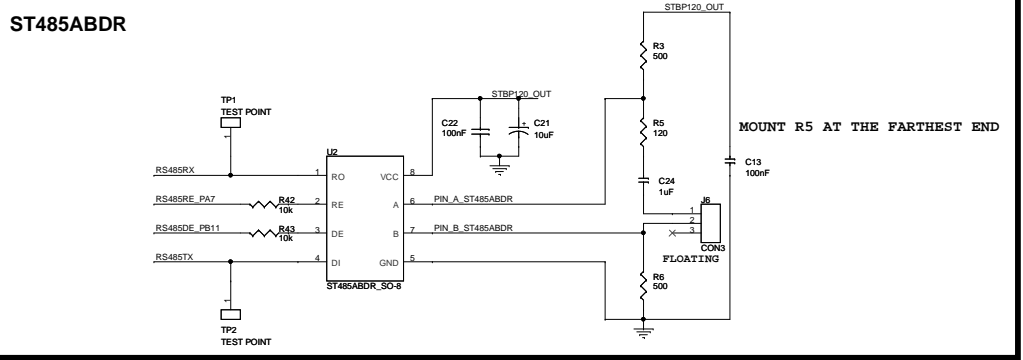


MICROCONTROLLER SECTION

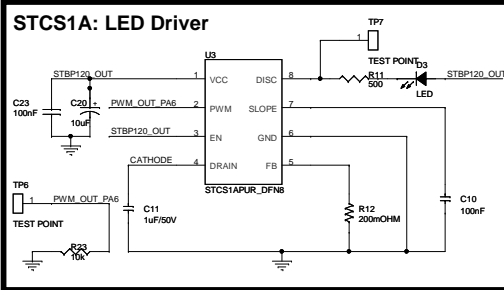
Comment: we will use internal RC Clock for board



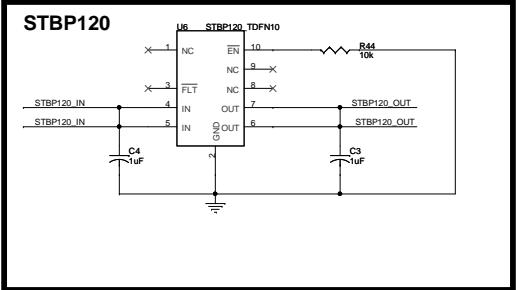
ST485ABDR



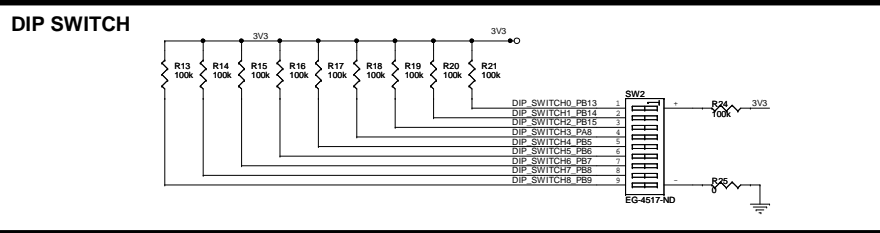
STCS1A: LED Driver



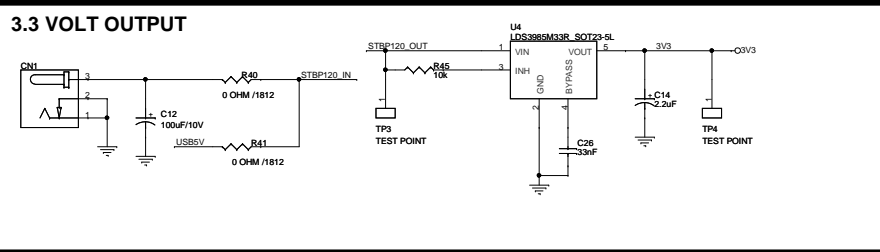
STBP120



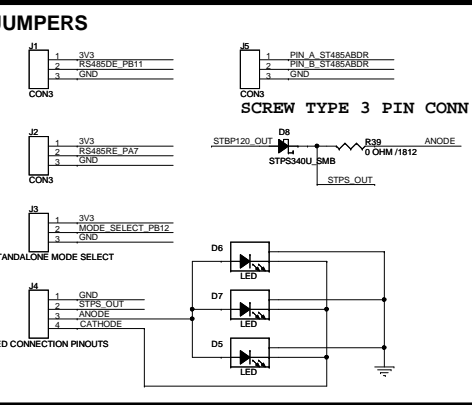
DIP SWITCH



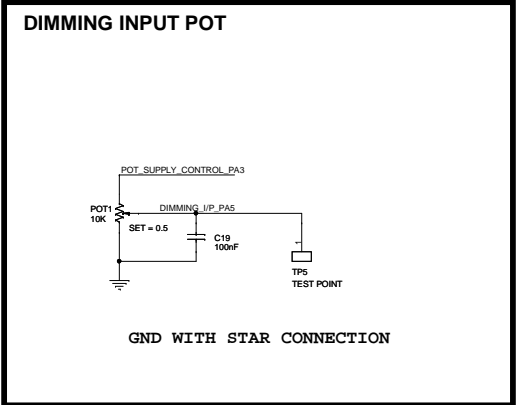
3.3 VOLT OUTPUT



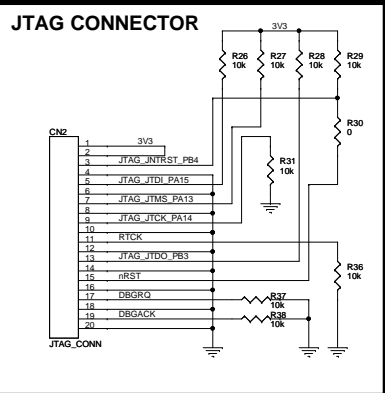
JUMPERS



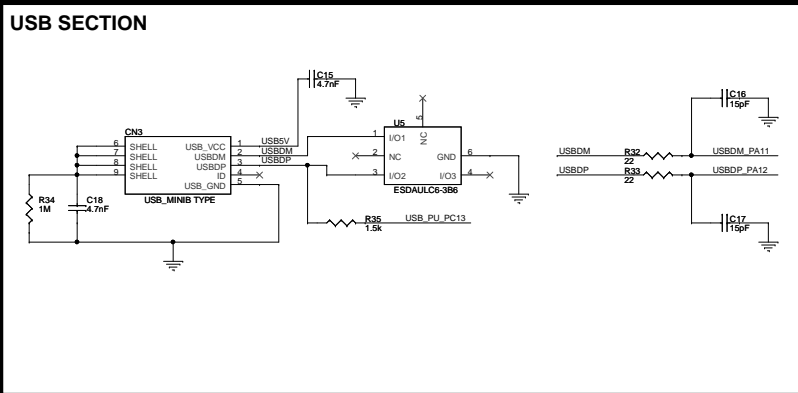
DIMMING INPUT POT



JTAG CONNECTOR



USB SECTION



STMicroelectronics and/or its licensors do not warrant the accuracy or completeness of this specification or any information contained therein. STMicroelectronics and/or its licensors do not warrant that this design will meet the specifications, will be suitable for your application or fit for any particular purpose, or will operate in an implementation. STMicroelectronics and/or its licensors do not warrant that the design is production worthy. You should completely validate and test your design implementation to confirm the system functionality for your application.

www.ST.COM			
Title	LED LIGHTING CONTROL USING DMX512		
Size	Document Number	STEVAL-ILL030V1	
Date:	Thursday, July 28, 2010	Sheet	1 of 1