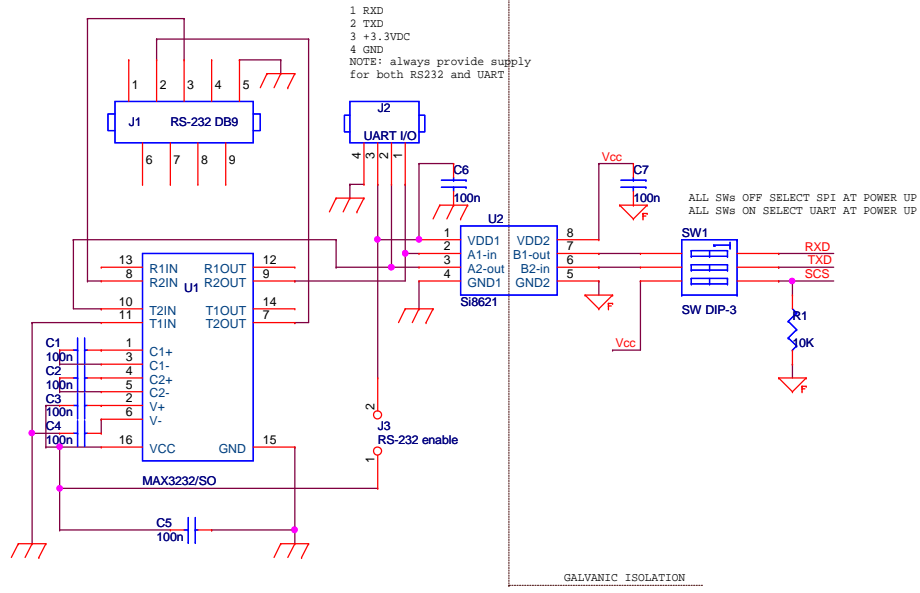
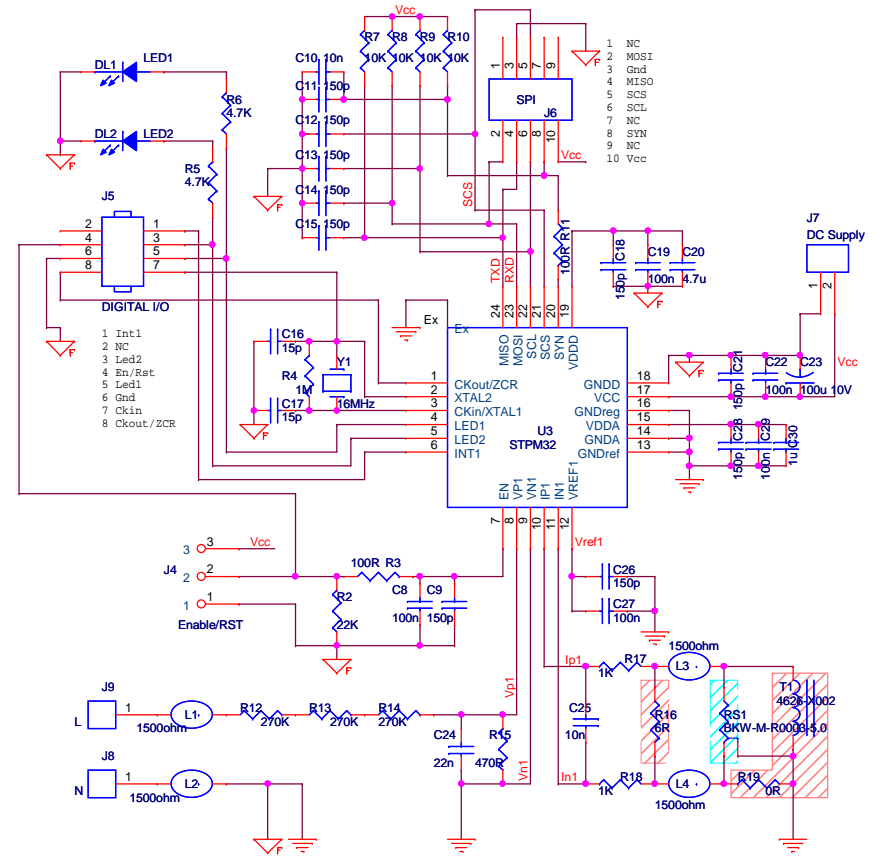




RS232/UART



METROLOGY CIRCUIT



 To assemble in case current sensor is Shunt

 To assemble in case current sensor is Current Transformer