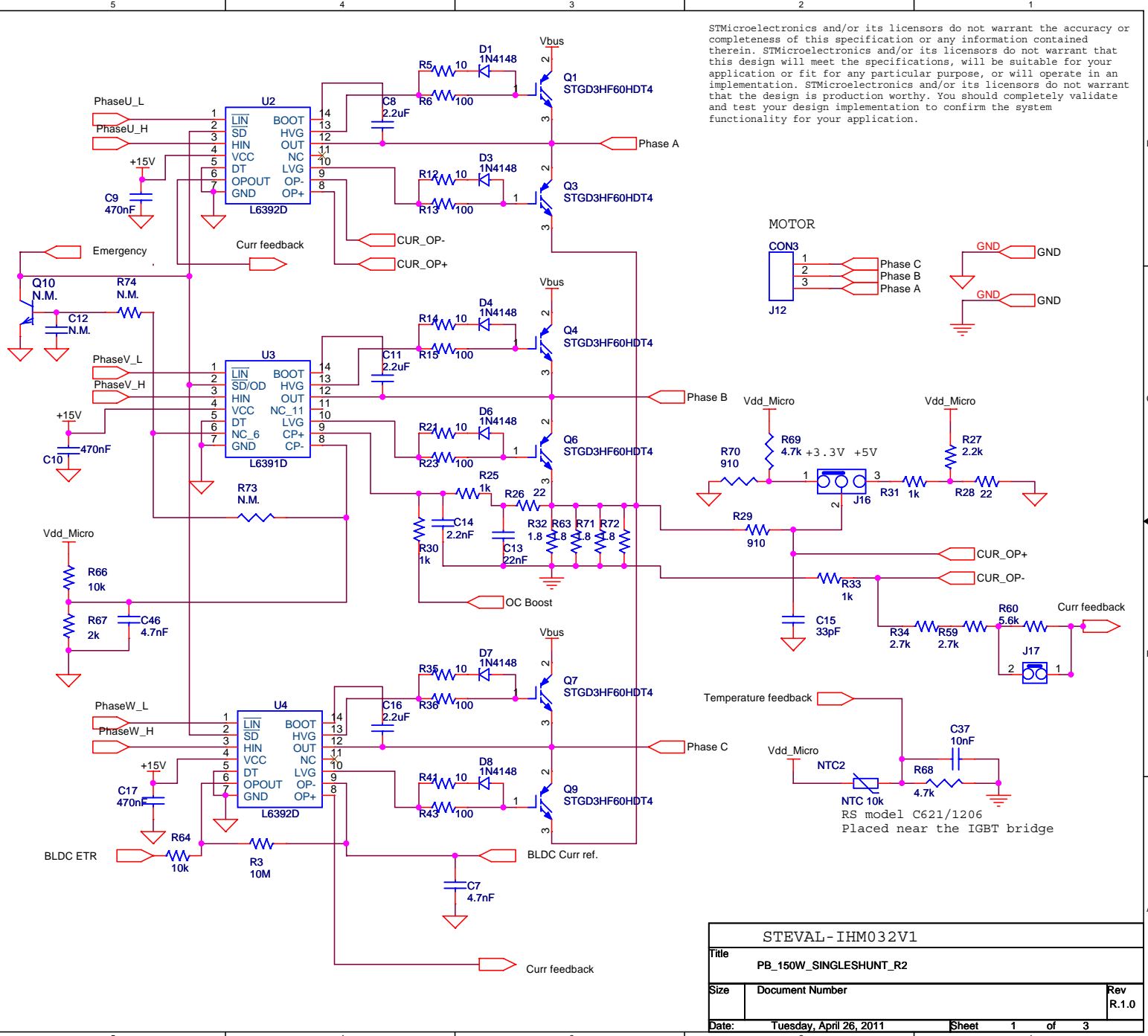
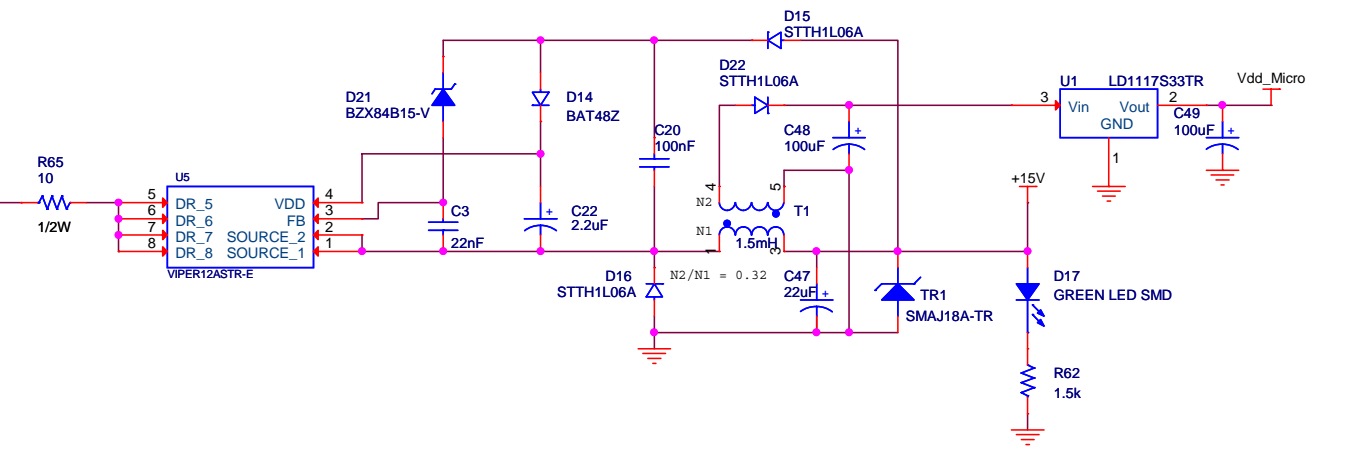
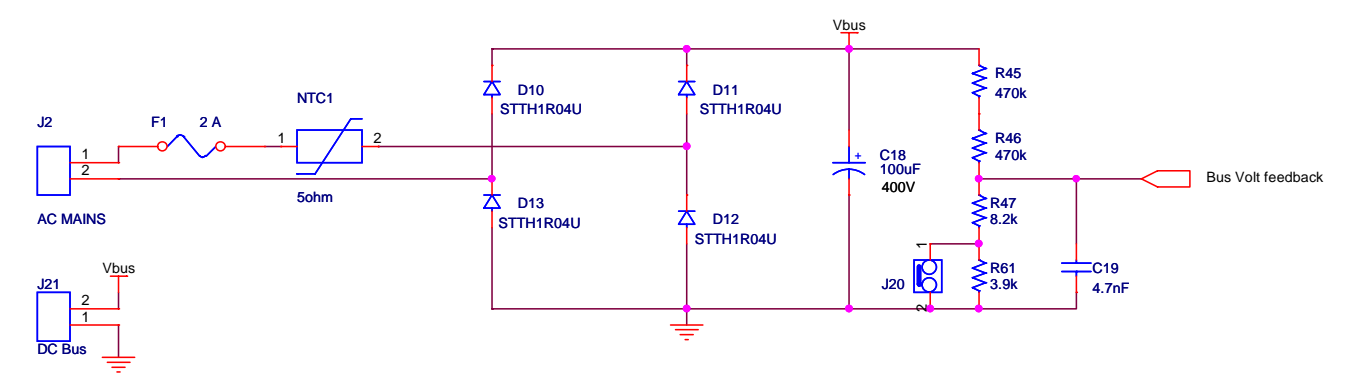


STMicroelectronics and/or its licensors do not warrant the accuracy or completeness of this specification or any information contained therein. STMicroelectronics and/or its licensors do not warrant that this design will meet the specifications, will be suitable for your application or fit for any particular purpose, or will operate in an implementation. STMicroelectronics and/or its licensors do not warrant that the design is production worthy. You should completely validate and test your design implementation to confirm the system functionality for your application.



STEVAL-IHM032V1		
Title	PB_150W_SINGLESHUNT_R2	
Size	Document Number	Rev R.1.0
Date:	Tuesday, April 26, 2011	Sheet 1 of 3

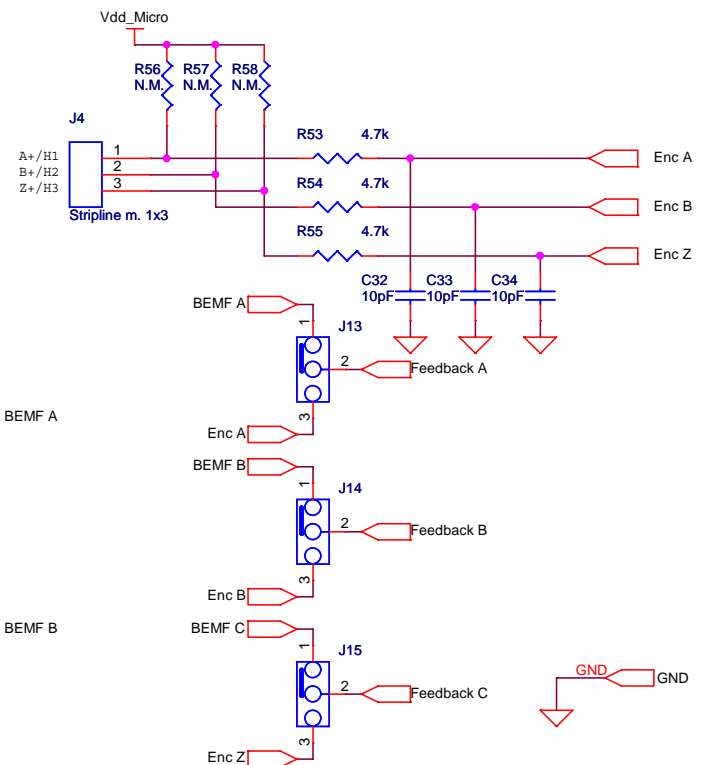
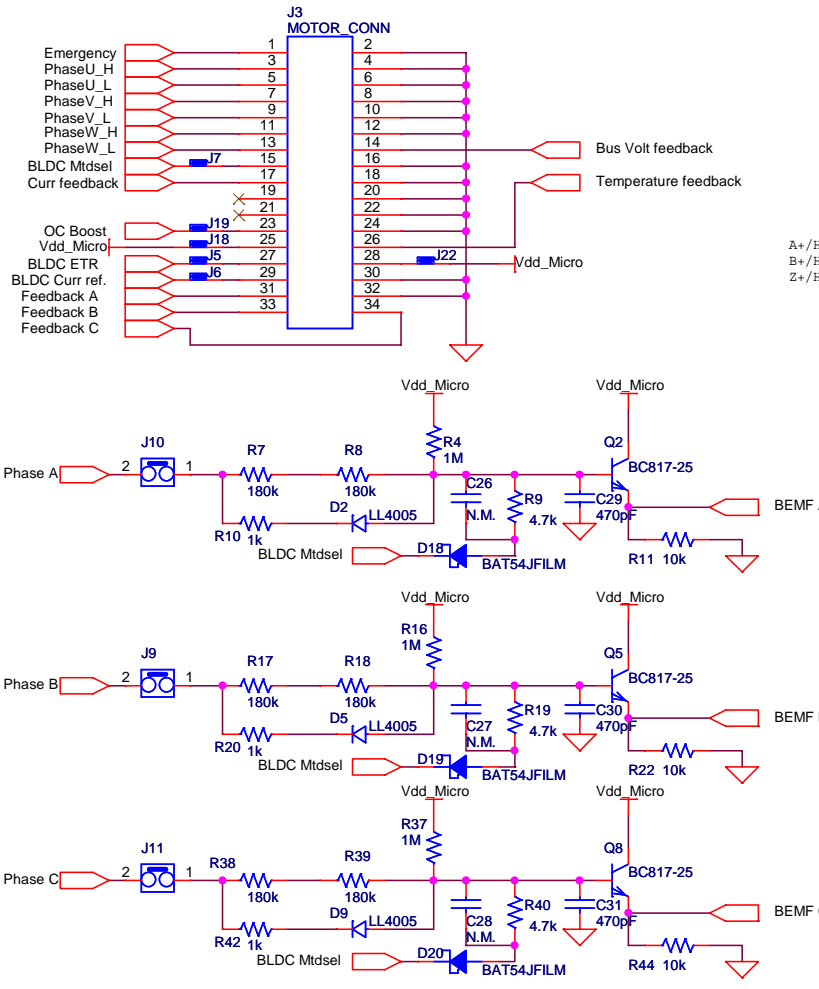


STMicroelectronics and/or its licensors do not warrant the accuracy or completeness of this specification or any information contained therein. STMicroelectronics and/or its licensors do not warrant that this design will meet the specifications, will be suitable for your application or fit for any particular purpose, or will operate in an implementation. STMicroelectronics and/or its licensors do not warrant that the design is production worthy. You should completely validate and test your design implementation to confirm the system functionality for your application.



STEVAL-IHM032V1		
Title		
PB_150W_SINGLESUNT_R2		
Size	Document Number	Rev R.1.0
Date:	Monday, May 02, 2011	Sheet 2 of 3

STMicroelectronics and/or its licensors do not warrant the accuracy or completeness of this specification or any information contained therein. STMicroelectronics and/or its licensors do not warrant that this design will meet the specifications, will be suitable for your application or fit for any particular purpose, or will operate in an implementation. STMicroelectronics and/or its licensors do not warrant that the design is production worthy. You should completely validate and test your design implementation to confirm the system functionality for your application.



STEVAL-IHM032V1		
Title		
PB_150W_SINGLESUNT_R2		
Size	Document Number	Rev R.1.0
Date:	Monday, May 02, 2011	Sheet 3 of 3