

STEVAL-ILL015V2

Board schematics

Figure 1: STEVAL-ILL015V2 schematic with CPU

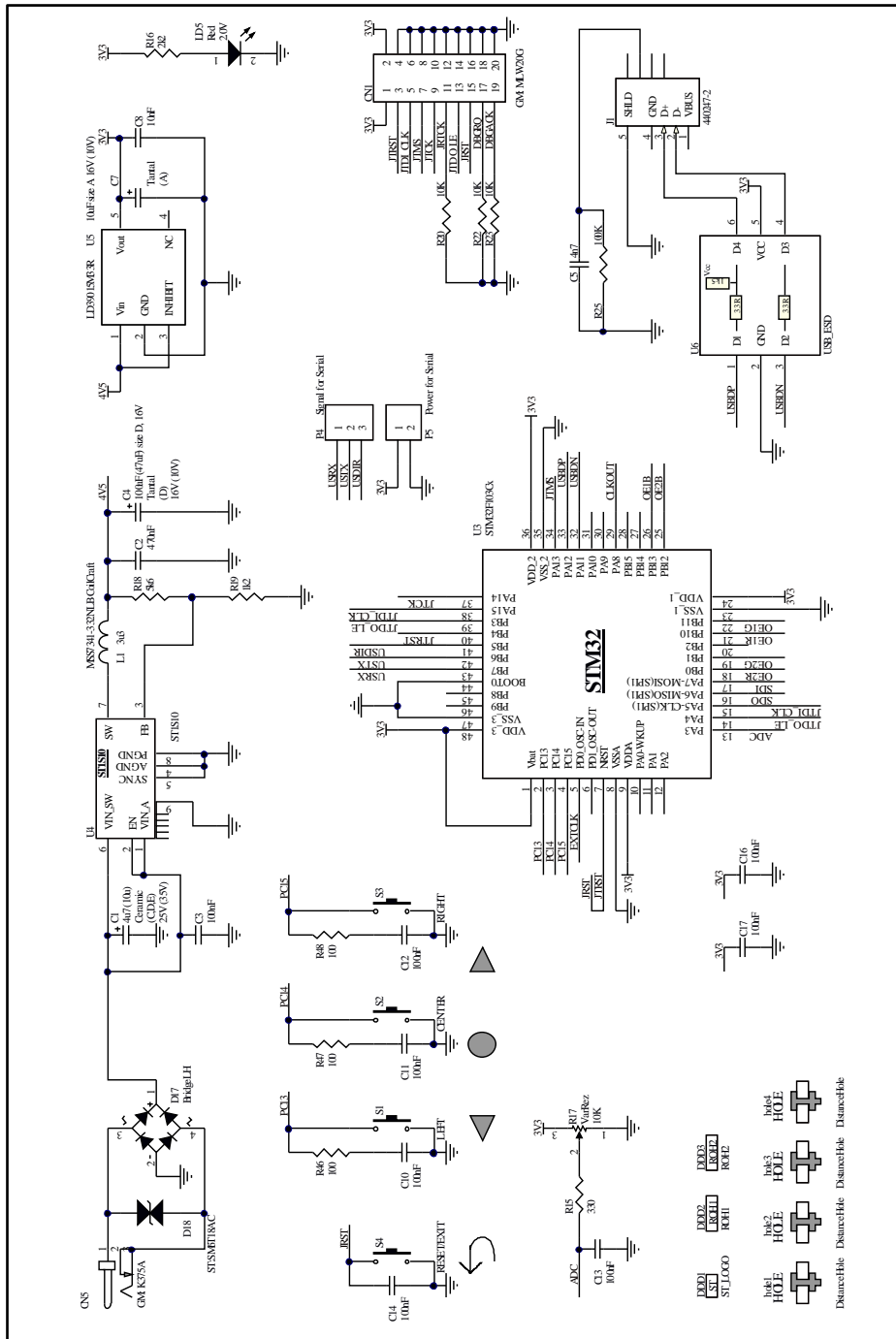


Figure 2: STEVAL-ILL015V2 schematic DACs with LEDs

