

Figure 1. Schematic diagrams (1 of 3)

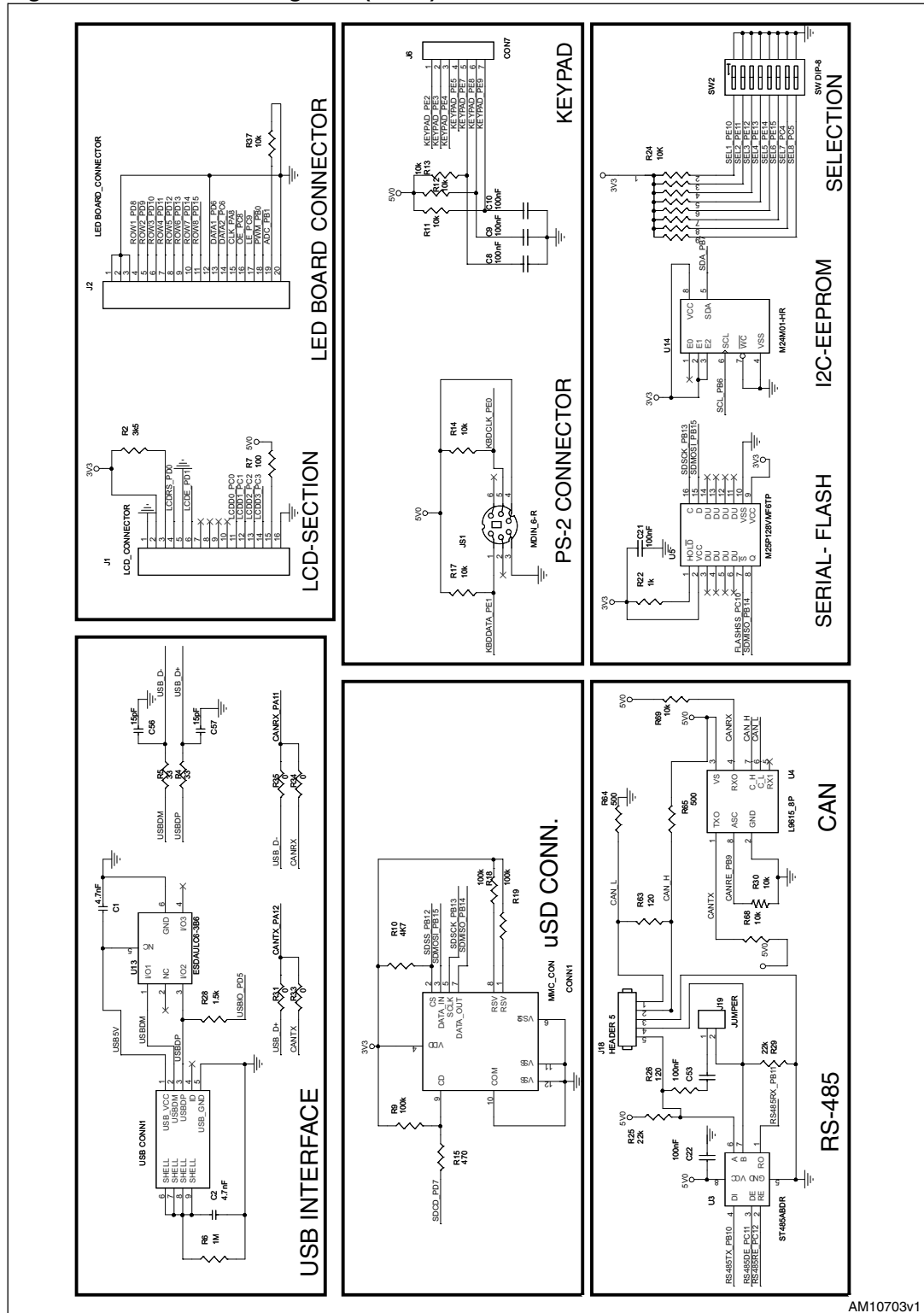


Figure 2. Schematic diagrams (2 of 3)

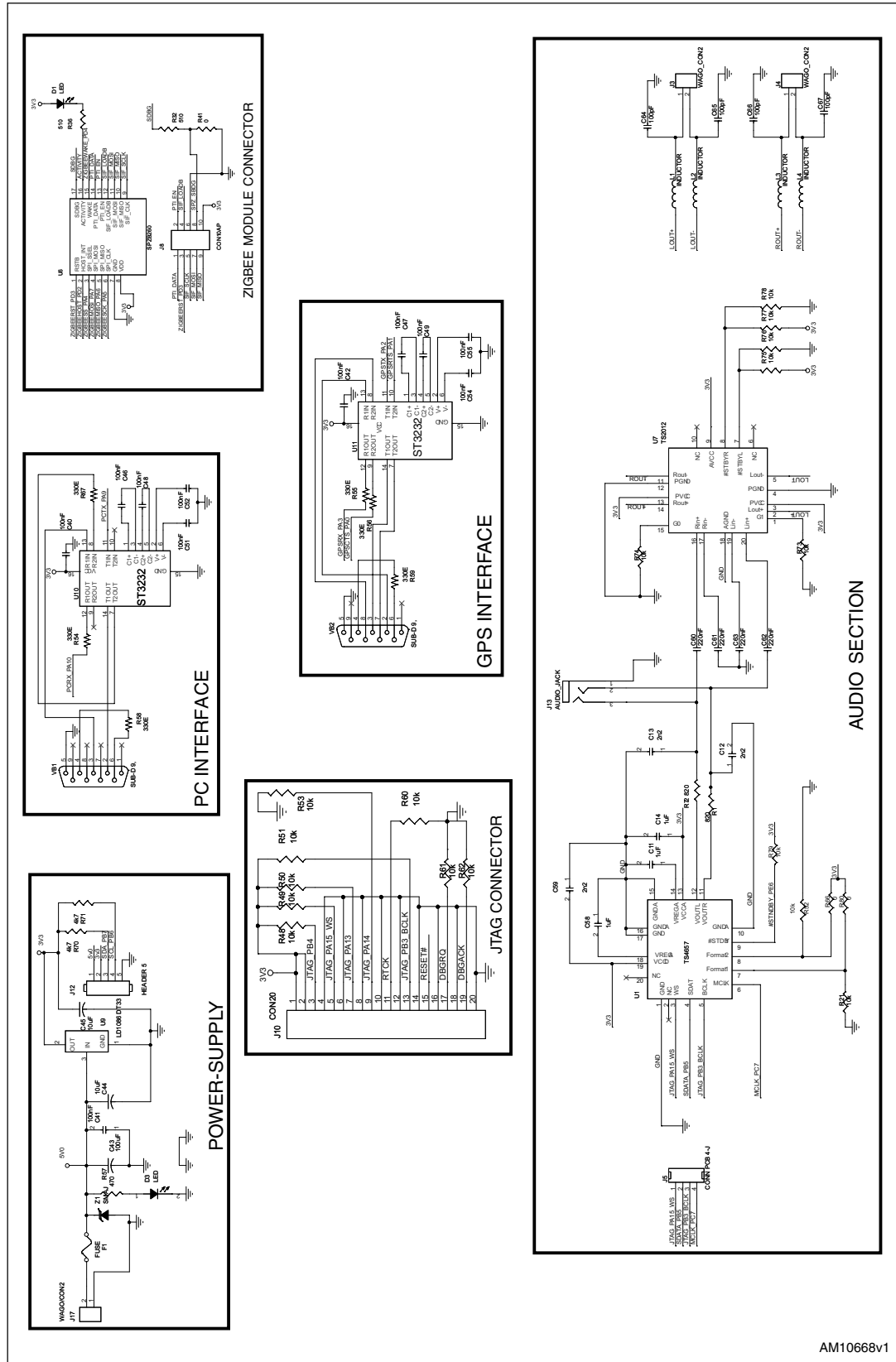


Figure 3. Schematic diagrams (3 of 3)

