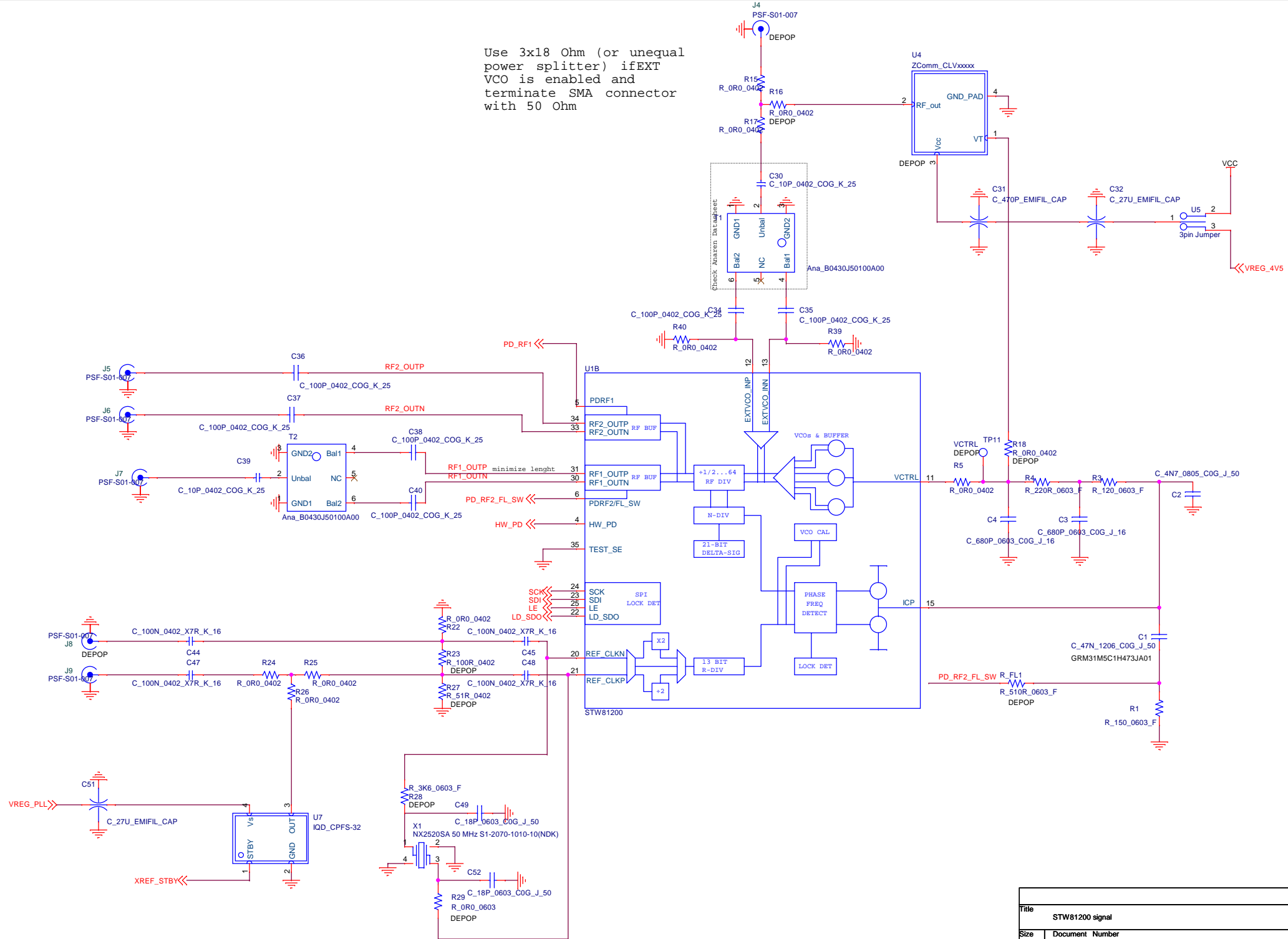
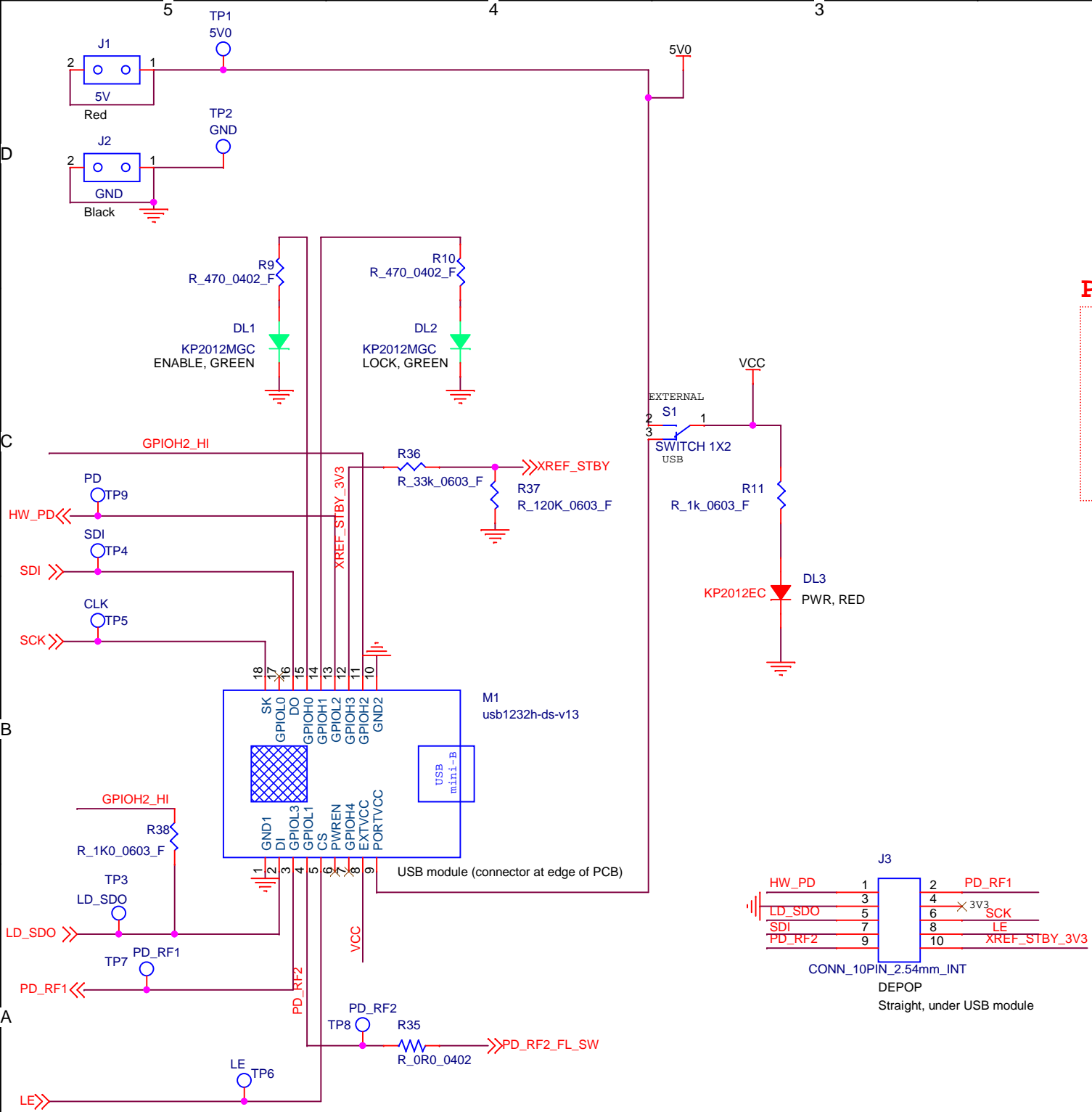


Title		
STW81200 Power		
Size	Document Number	Rev
Custom	Eval_Board_1_2014	1.3
Date:	Thursday, March 20, 2014	Sheet 1 of 5

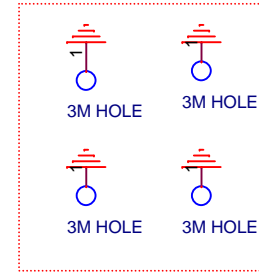
Use 3x18 Ohm (or unequal power splitter) if EXT VCO is enabled and terminate SMA connector with 50 Ohm



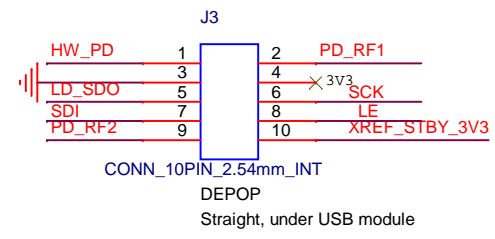
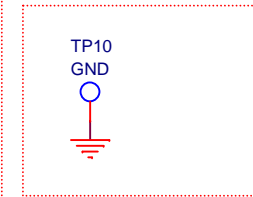
Title		STW81200 signal
Size	Document Number	Rev
A3	Eval_Board_1_2014	1.3
Date:	Thursday, March 20, 2014	Sheet 2 of 5



PTH HOLES



GND TEST POINTS



Title		
STW81200 interface		
Size	Document Number	Rev
A4	Eval_Board_1_2014	1.3
Date:	Thursday, March 20, 2014	Sheet 3 of 5