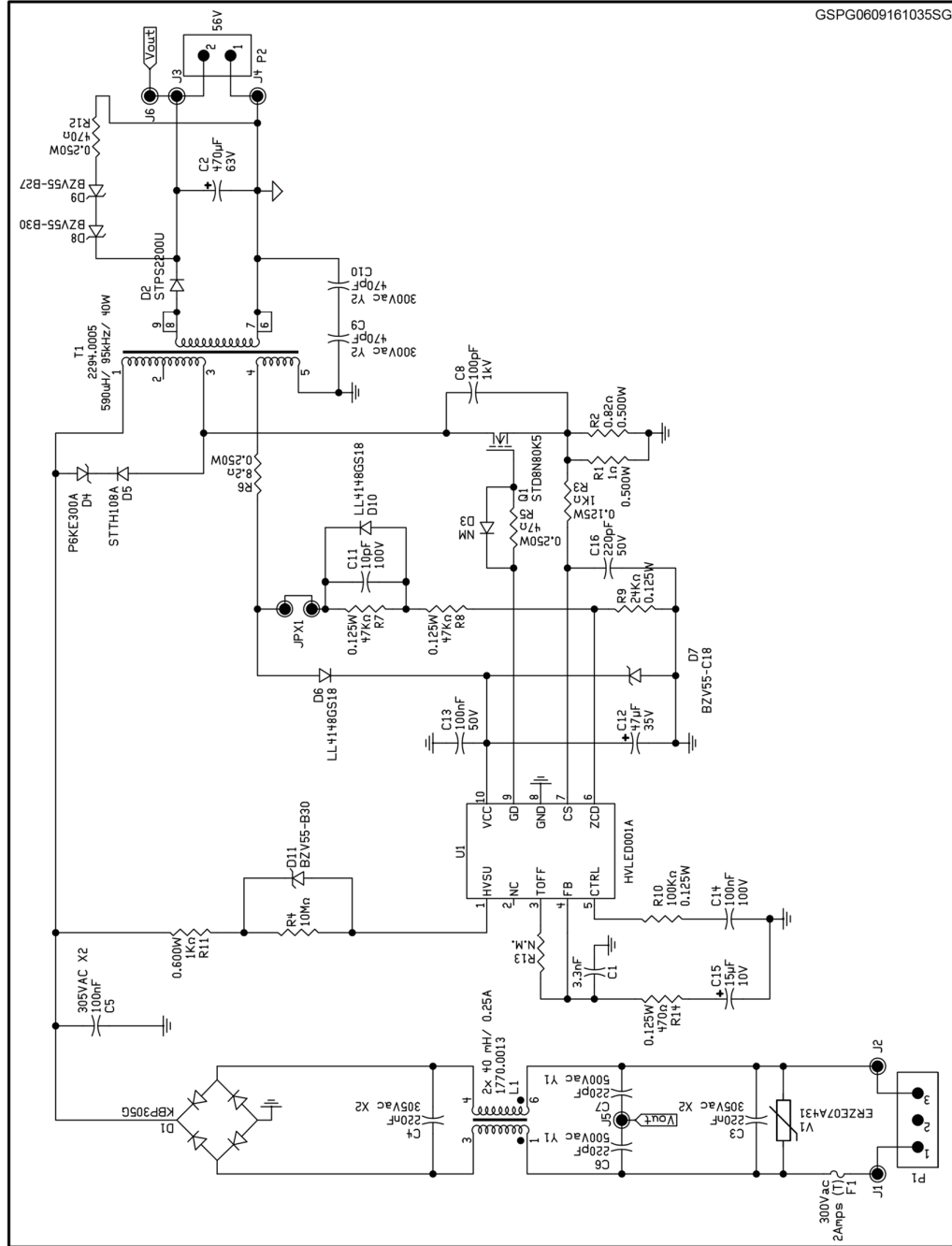


Schematic diagram

STEVAL-ILL076V2

Figure 1: STEVAL-ILL076V2 circuit schematic



GSPG0609161035SG