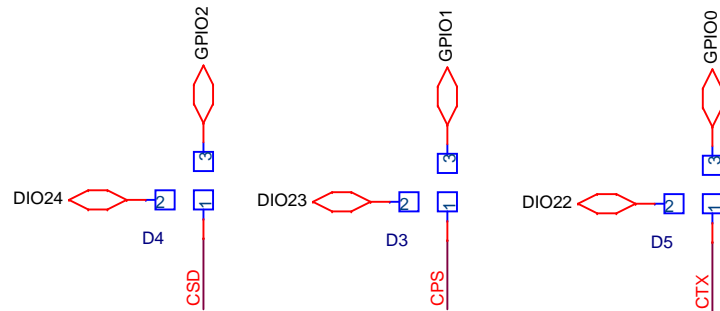
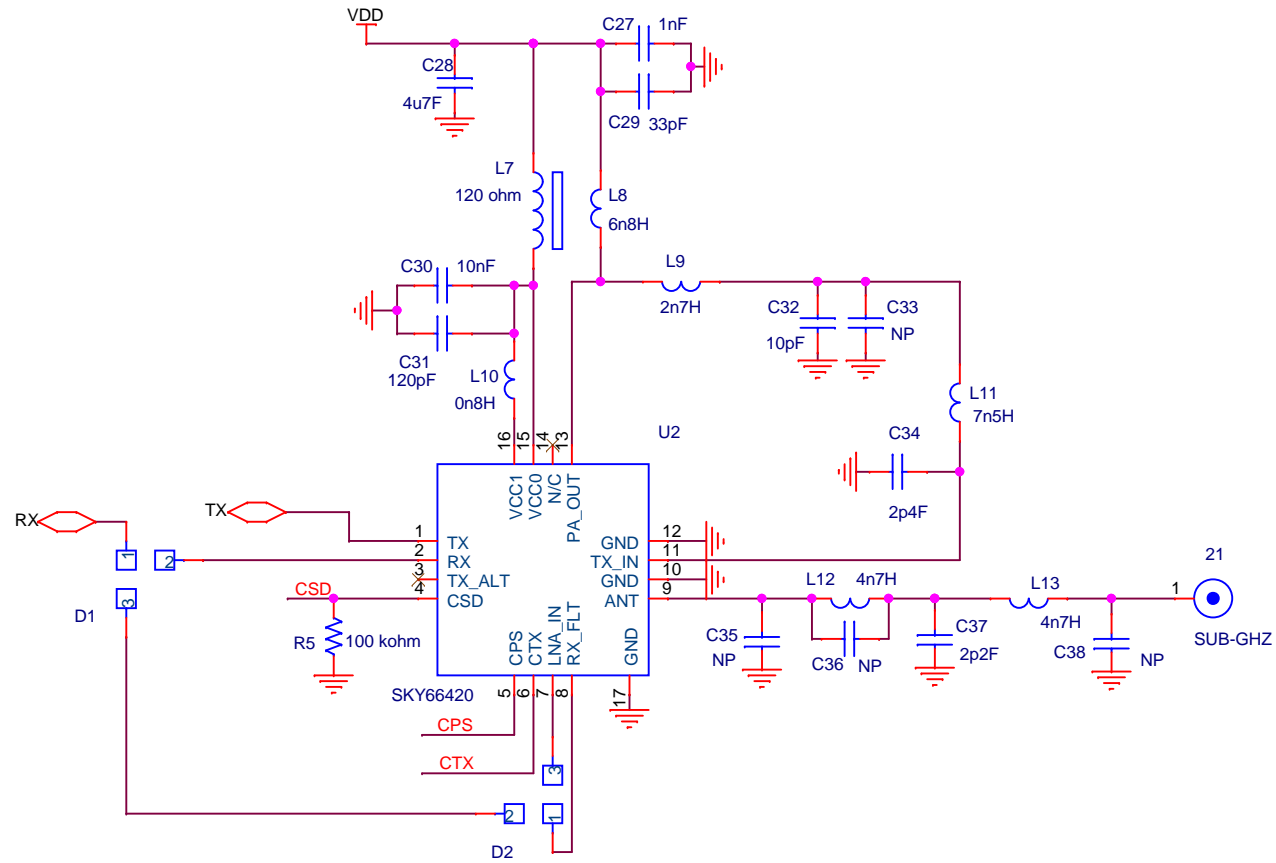


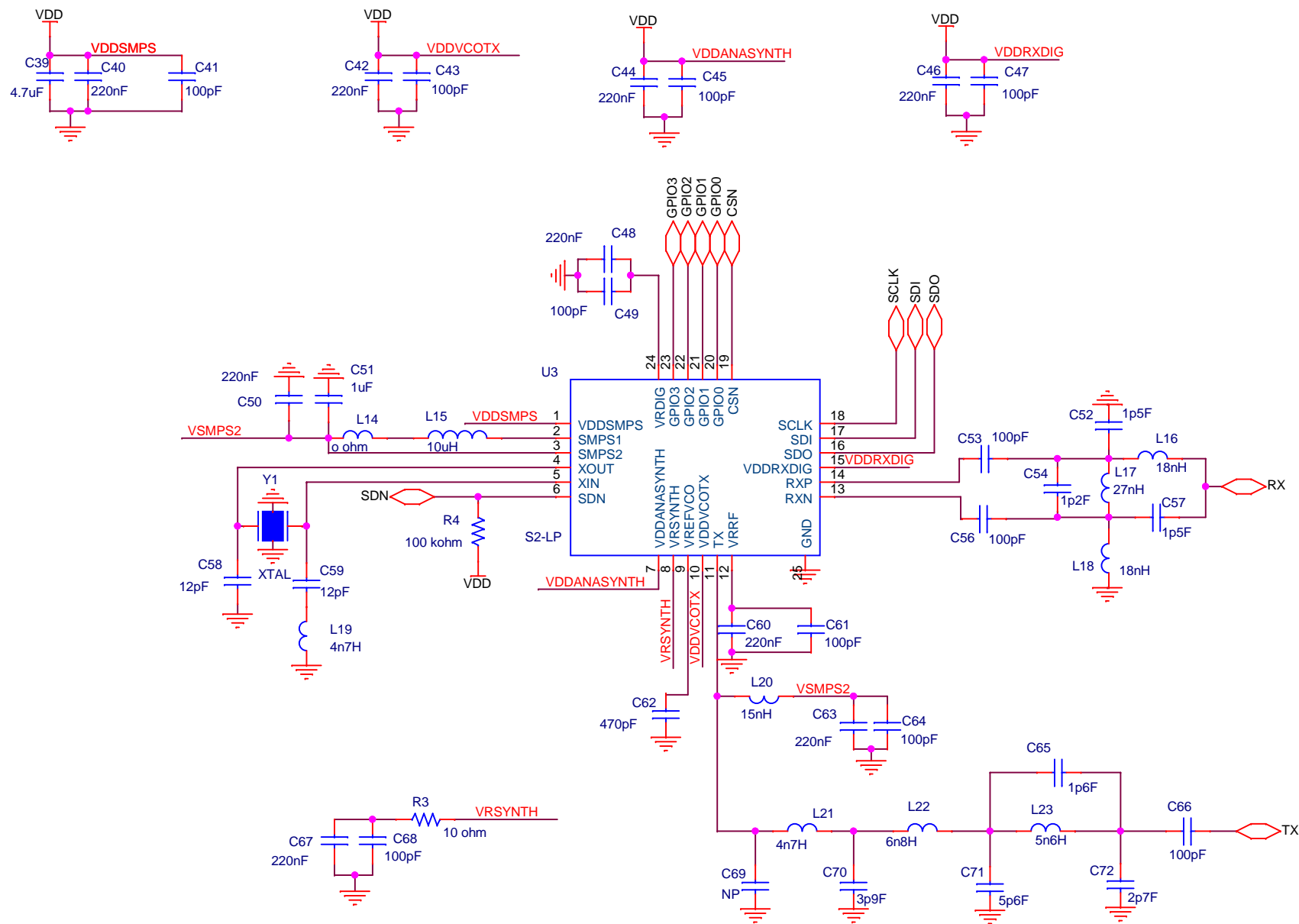
Title		
Dual radio application board (1/3) - BLUENRG-248		
Size	Document Number	Rev
A4		
Date:	Monday, October 22, 2018	Sheet 1 of 3

LNA ON: D1 soldered a 100 pF cap between 1 - 2
 D2 soldered a 100 pF cap between 1 - 3
 LNA OFF: D1 soldered a 100 pF cap between 1 - 3
 D2 soldered a 100 pF cap between 1 - 2



PA under control of MCU (requires three GPIOs from MCU):
 D3 soldered a 0 ohm between 1 - 2
 D4 soldered a 0 ohm between 1 - 2
 D5 soldered a 0 ohm between 1 - 2
 PA under control of S2-LP:
 D3 soldered a 0 ohm between 1 - 3
 D4 soldered a 0 ohm between 1 - 3
 D5 soldered a 0 ohm between 1 - 3

Title		
Dual radio application board (3/3) - FEM		
Size	Document Number	Rev
A4		
Date:	Monday, October 22, 2018	Sheet 2 of 3
2		1



Title		
Dual radio application board (2/3) - S2-LP		
Size	Document Number	Rev
A4		
Date:	Monday, October 22, 2018	Sheet 3 of 3