



ST25RU3993 - EVAL



life.augmented

ST25RU3993-EVAL-V4.PrjPcb
















Table of Contents

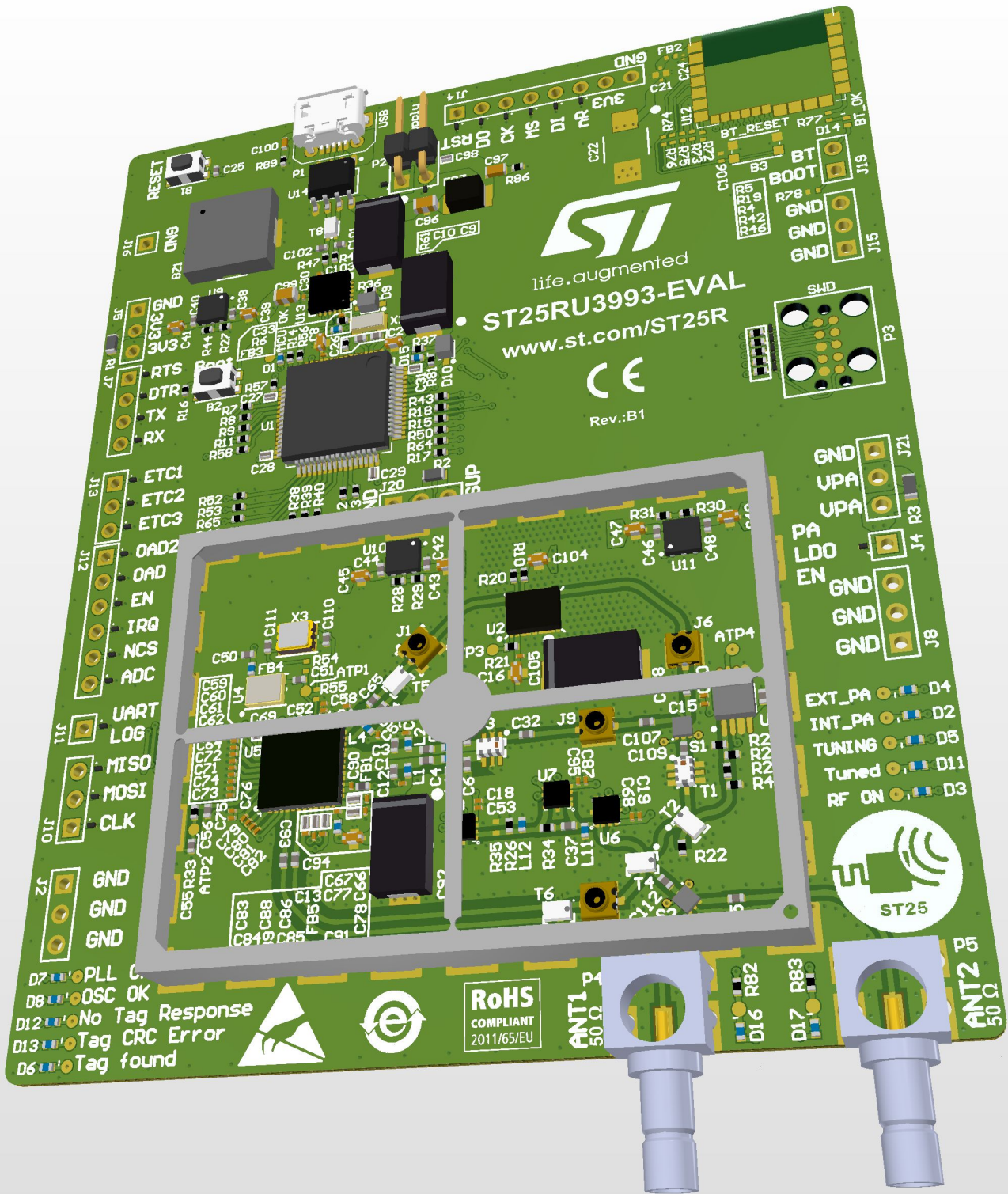
Sheet 1: Title Page	Sheet 13: Antenna Switch
Sheet 2: Project Page (This page)	Sheet 14: Bluetooth
Sheet 3: 3D PCB Top View	Sheet 15: Mechanical
Sheet 4: 3D PCB Bottom View	Sheet 16: Composite Layout Drawing
Sheet 5: Schematic - System Overview	Sheet 17: Layout - Top Layer
Sheet 6: Schematic - UHF_RFID	Sheet 18: Layout - RF GND Layer
Sheet 7: Schematic - Power Amplifier	Sheet 19: Layout - Power Layer
Sheet 8: Schematic - Carrier Cancellation	Sheet 20: Layout - GND Layer
Sheet 9: Schematic - Controller	Sheet 21: Layout - Routing Layer
Sheet 10: Schematic - Supply	Sheet 22: Layout - Bottom GND Layer
Sheet 11: Schematic - External Interfaces	Sheet 23: Assembly Drawing - Top
Sheet 12: Schematic - USB Interface	

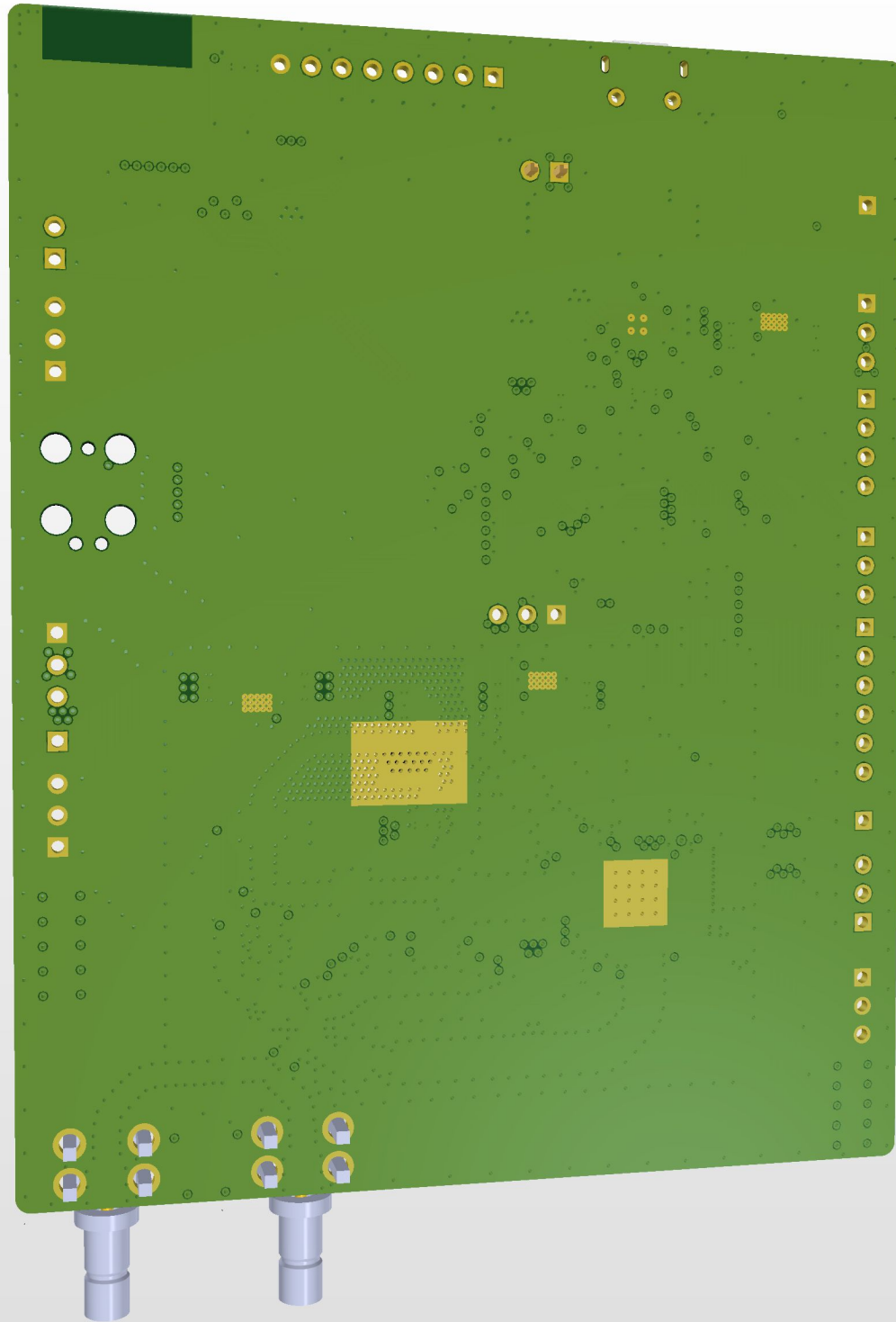
Revision History

Revision A: Initial Design
Revision B: Changed antenna connector to SMB, Component print update
Revision B1: Debug Interface fixed, CCC optimized, Component print update

PCB Stackup

	Layer Name	Type	Material	Thickness (mm)	Dielectric Material	Dielectric Constant
	Top Overlay	Overlay				
	Top Solder	Solder Mask/Co...	Surface Material	0.01016	Solder Resist	4.5
	Top Layer	Signal	Copper	0.043		
	Dielectric1	Dielectric	Core	0.25	FR-4 (R-1755M)	4.7
	RF GND	Signal	Copper	0.032		
	Dielectric2	Dielectric	Prepreg	0.1	FR-4 (R-1755M)	4.6
	Power	Signal	Copper	0.032		
	Dielectric3	Dielectric	Core	0.1	FR-4 (R-1755M)	4.6
	GND	Signal	Copper	0.036		
	Dielectric 5	Dielectric	Prepreg	0.1	FR-4 (R-1755M)	4.6
	Routing	Signal	Copper	0.036		
	Dielectric 4	Dielectric	Core	0.25	FR-4 (R-1755M)	4.7
	Bottom GND	Signal	Copper	0.043		
	Bottom Solder	Solder Mask/Co...	Surface Material	0.01016	Solder Resist	4.5
	Bottom Overlay	Overlay				





1

2

3

4

A

A

B

B

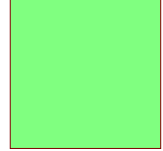
C

C

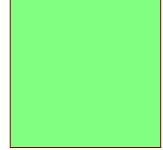
D

D

Title Page
Title_Page-V4.SchDoc



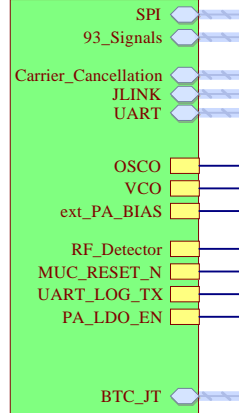
Project Page
Project_Page-V4.SchDoc



USB Interface
USB_Interface-V4.SchDoc



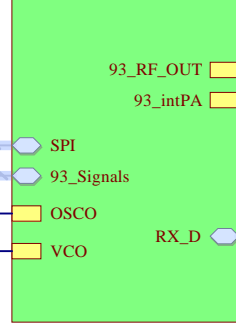
External Interfaces
External_Interfaces-V4.SchDoc



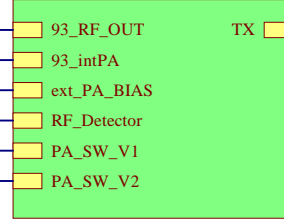
DC Supply
Supply-V4.SchDoc



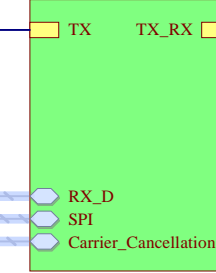
UHF RFID Reader
UHF_RFID-V4.SchDoc



Power Amplifier
Power_Amplifier-V4.SchDoc



Carrier Cancellation
Carrier_Cancellation-V4.SchDoc



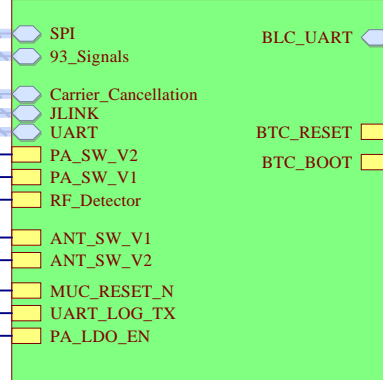
Antenna Switch
Antenna_Switch-V4.SchDoc



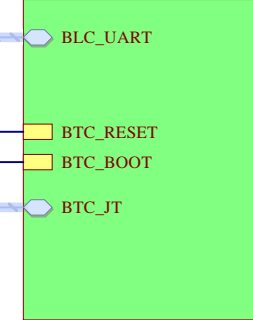
Mechanical
Mechanical-V4.SchDoc



Controller
Controller-V4.SchDoc



Bluetooth
Bluetooth-V4.SchDoc



Altium Project: ST25RU3993-EVAL			
Project: ST25RU3993-EVAL		Title: System_Overview-V4.SchDoc	
Reference:	Revision: B	BOM:01	Author: HINTEREB
Date: 25.05.2018	Size: A4	Sheet: 1 of 11	

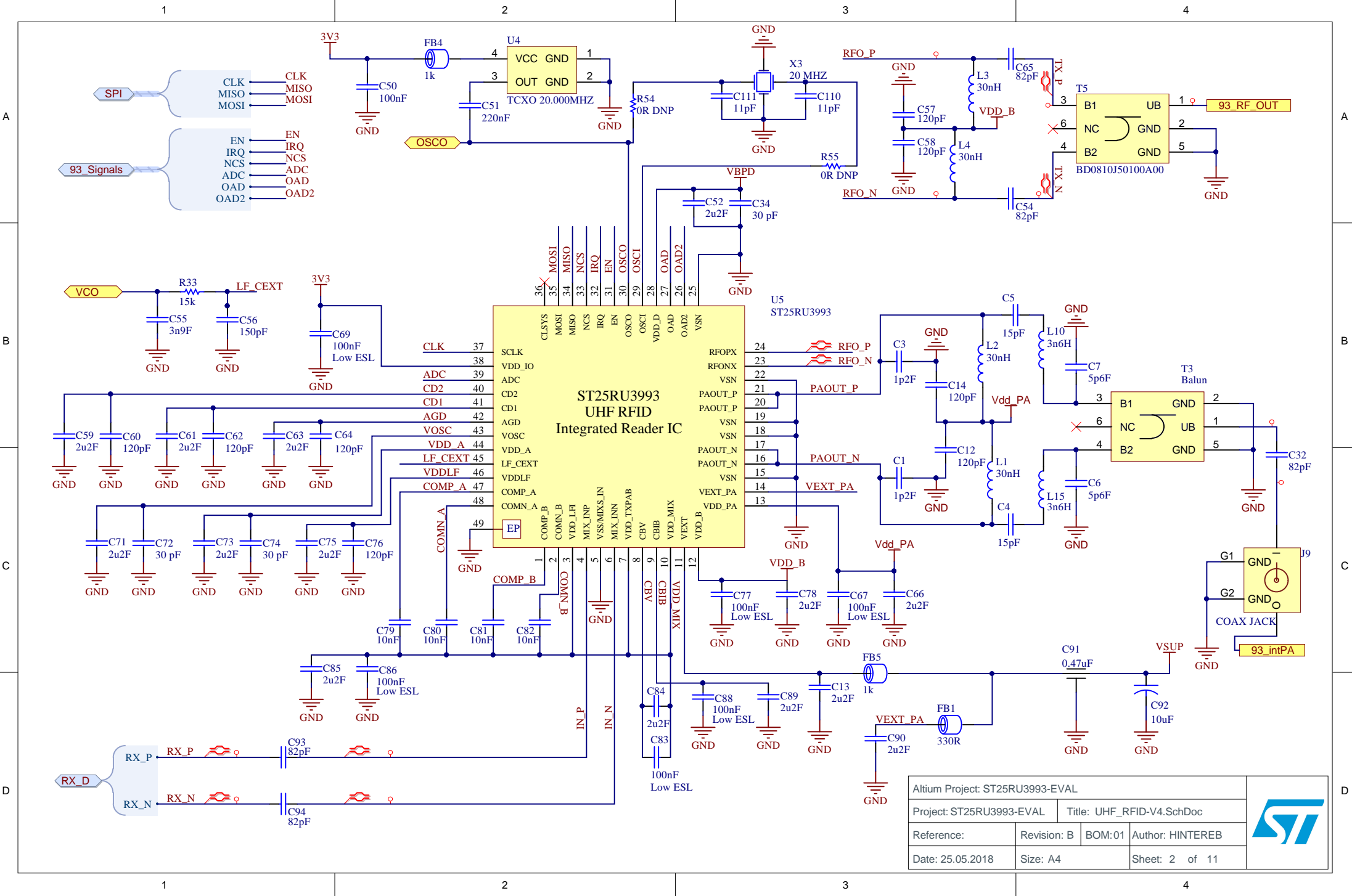


1

2

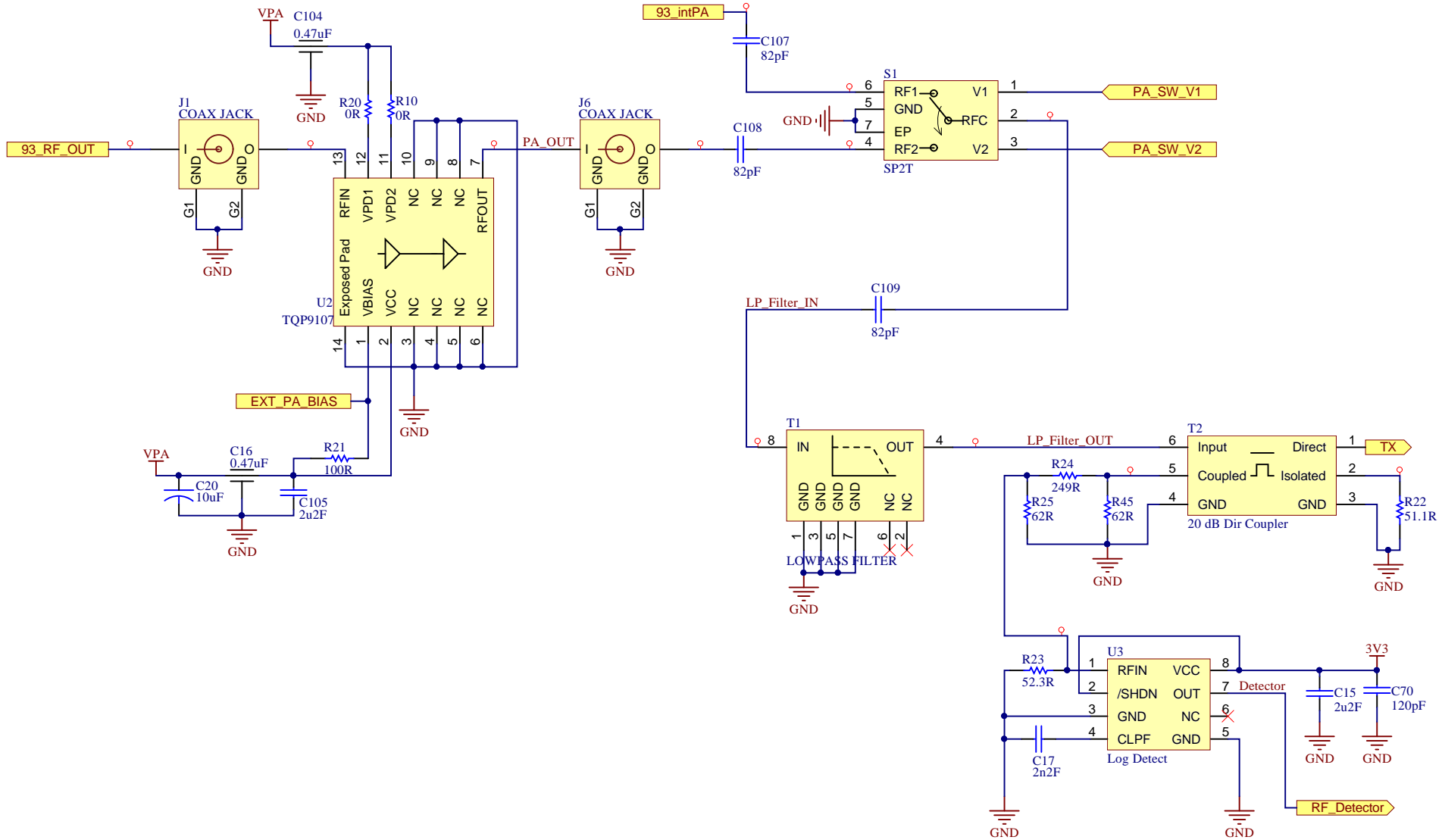
3


4

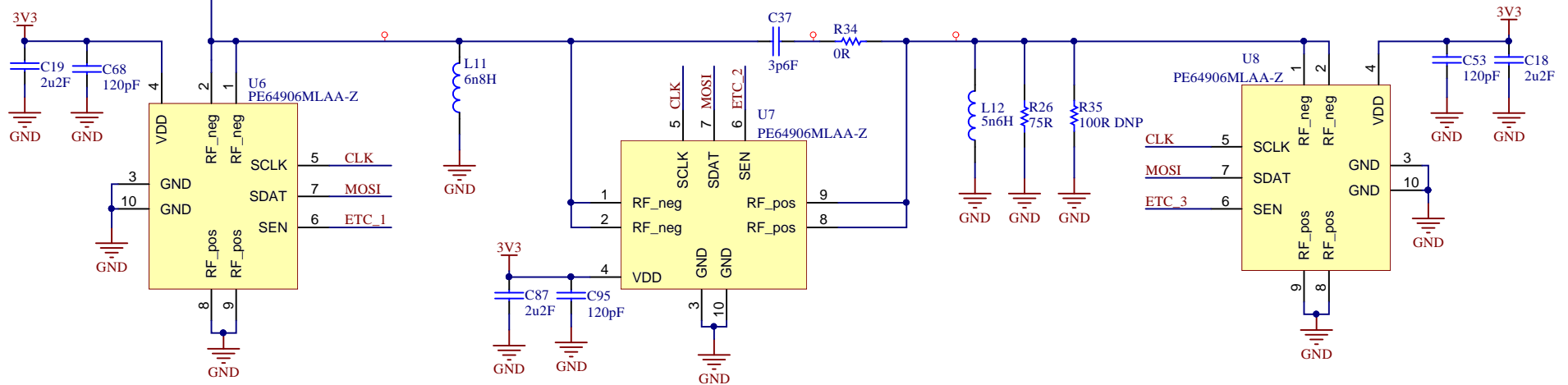
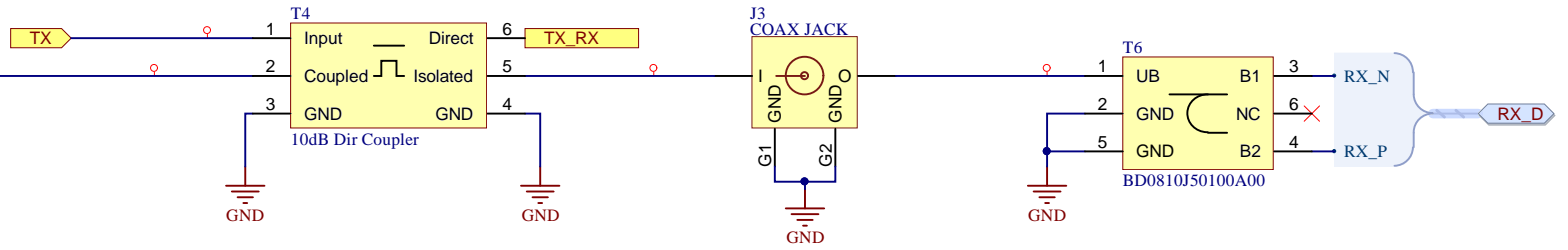
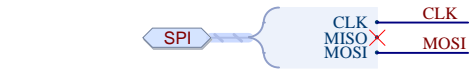


Altium Project: ST25RU3993-EVAL			
Project: ST25RU3993-EVAL		Title: UHF_RFID-V4.SchDoc	
Reference:	Revision: B	BOM:01	Author: HINTEREB
Date: 25.05.2018	Size: A4	Sheet: 2 of 11	

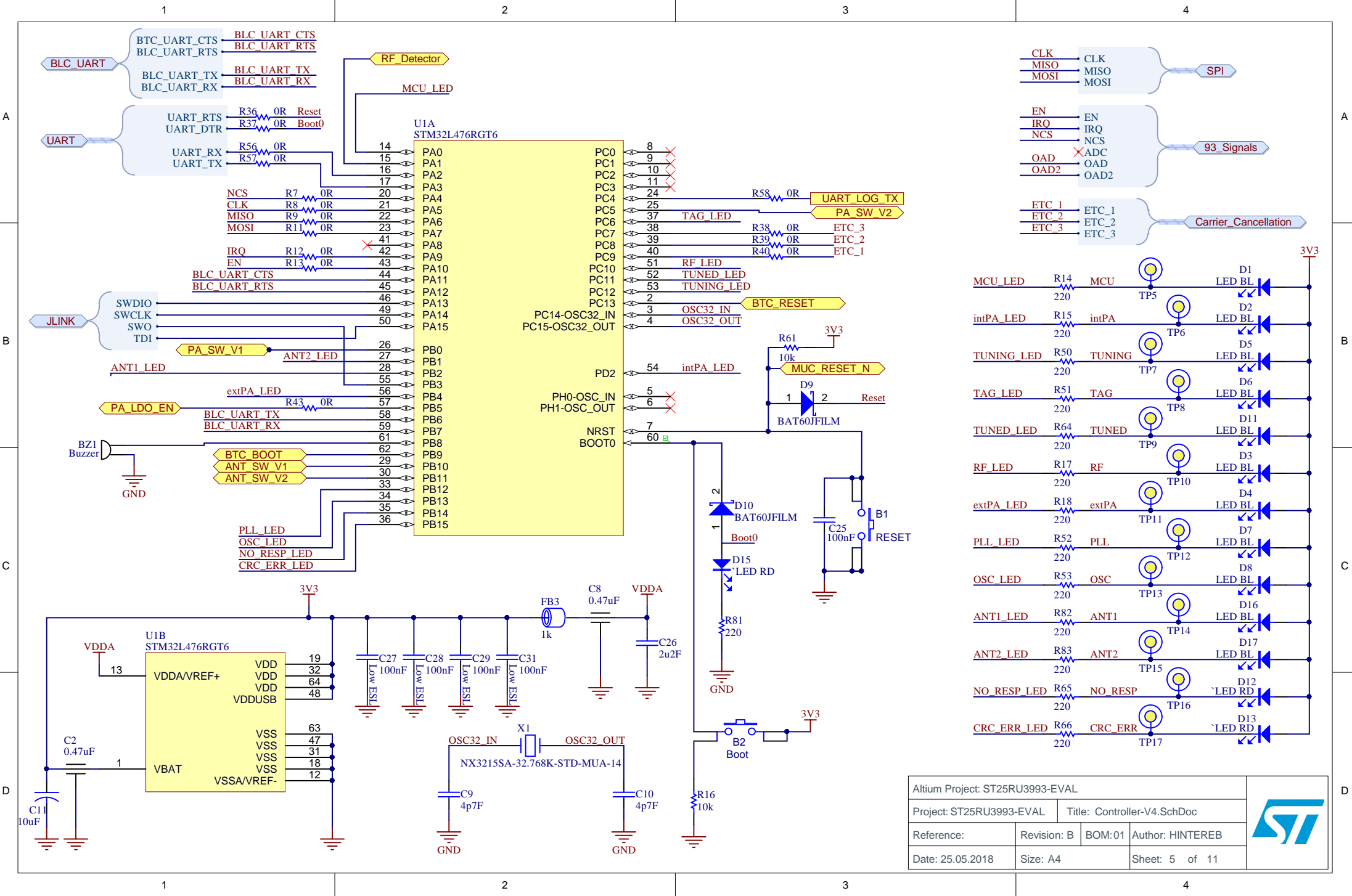




Altium Project: ST25RU3993-EVAL				
Project: ST25RU3993-EVAL		Title: Power_Amplifier-V4.SchDoc		
Reference:	Revision: B	BOM:01	Author: HINTEREB	
Date: 25.05.2018	Size: A4	Sheet: 3 of 11		

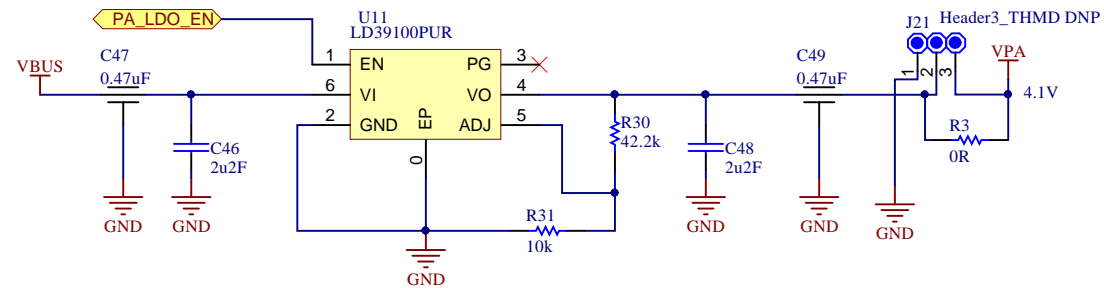
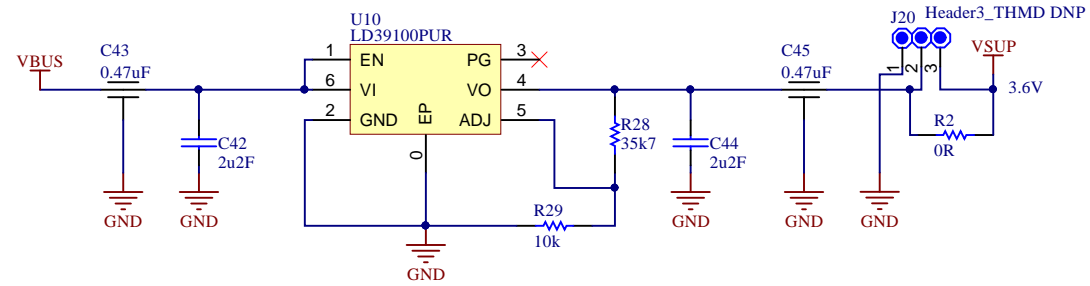
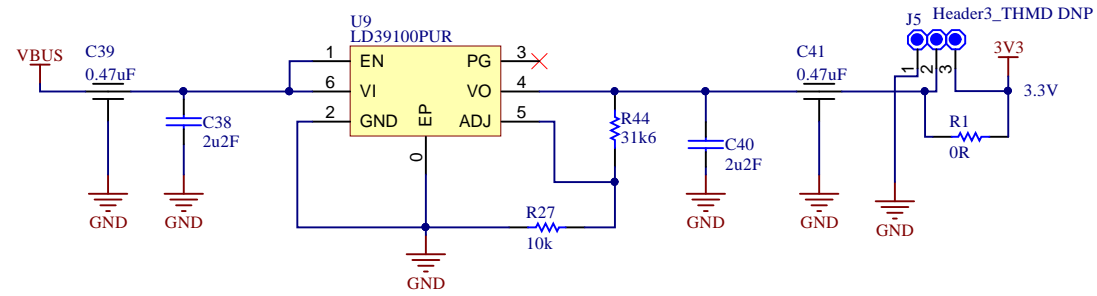


Altium Project: ST25RU3993-EVAL				
Project: ST25RU3993-EVAL		Title: Carrier_Cancellation-V4.SchDoc		
Reference:	Revision: B	BOM:01	Author: HINTEREB	
Date: 25.05.2018	Size: A4	Sheet: 4 of 11		



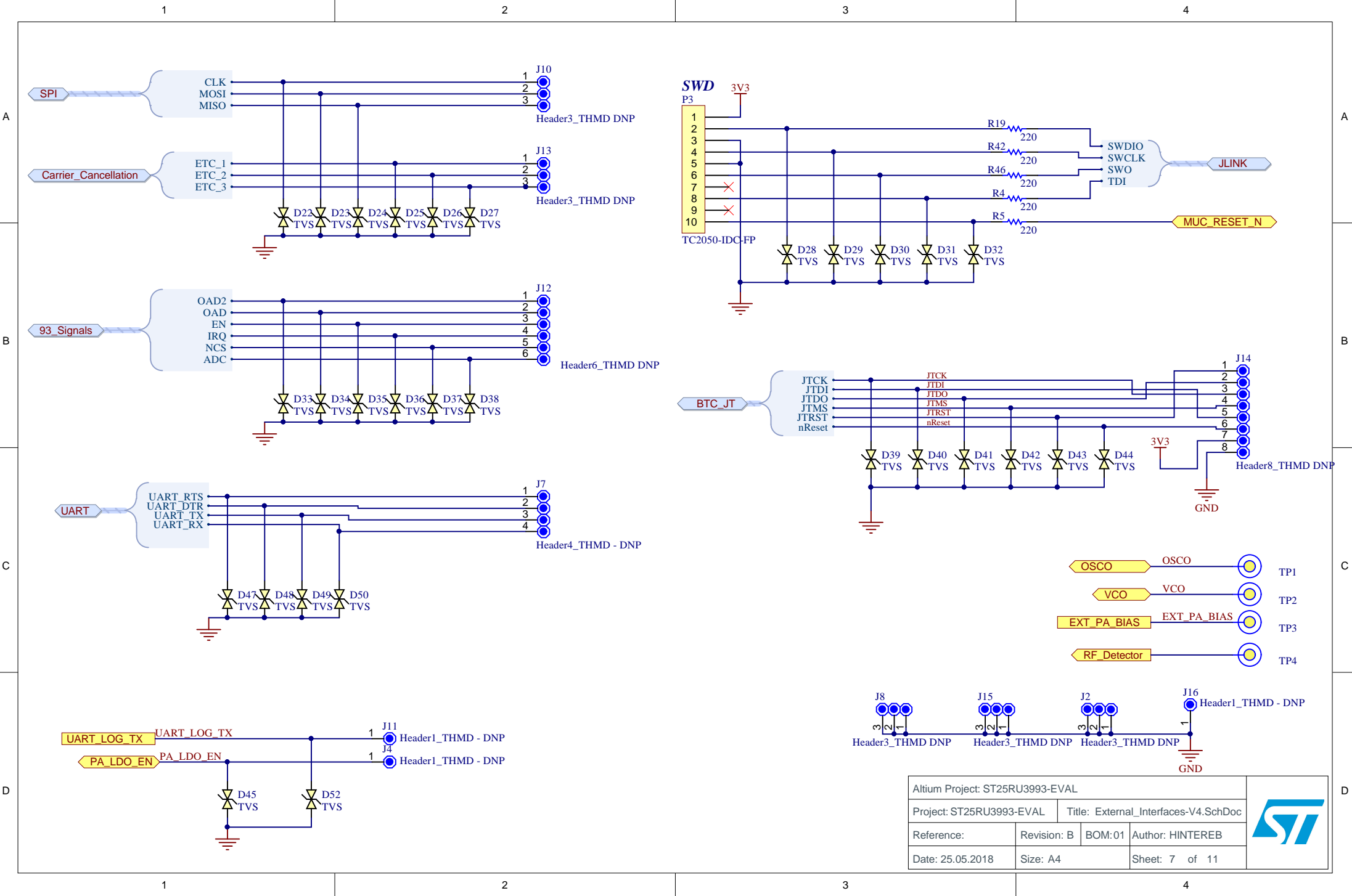
Altium Project: ST25RU3993-EVAL			
Project: ST25RU3993-EVAL		Title: Controller-V4.SchDoc	
Reference:	Revision: B	BOM:01	Author: HINTEREB
Date: 25.05.2018	Size: A4	Sheet: 5 of 11	



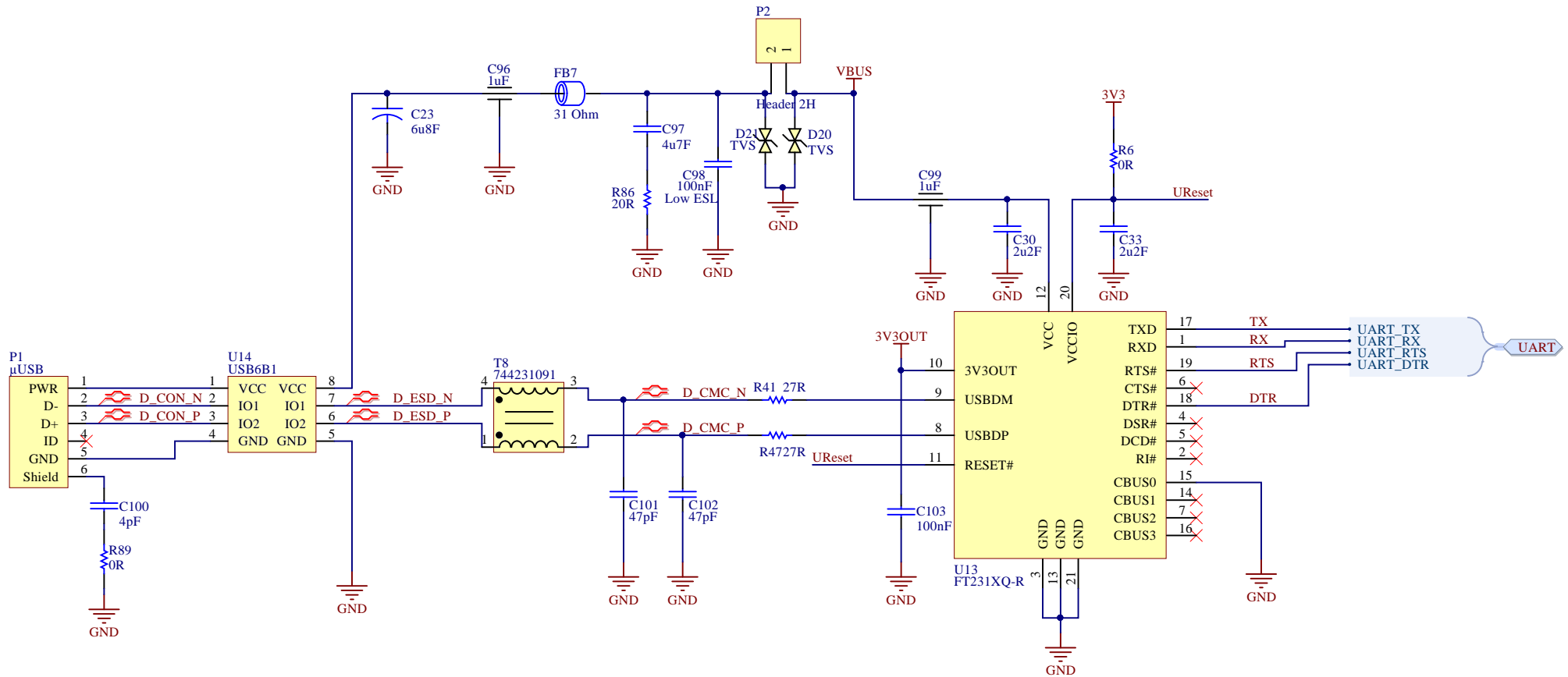


Altium Project: ST25RU3993-EVAL			
Project: ST25RU3993-EVAL		Title: Supply-V4.SchDoc	
Reference:	Revision: B	BOM:01	Author: HINTEREB
Date: 25.05.2018	Size: A4	Sheet: 6 of 11	





Altium Project: ST25RU3993-EVAL				
Project: ST25RU3993-EVAL		Title: External_Interfaces-V4.SchDoc		
Reference:	Revision: B	BOM:01	Author: HINTEREB	
Date: 25.05.2018	Size: A4	Sheet: 7 of 11		



Altium Project: ST25RU3993-EVAL			
Project: ST25RU3993-EVAL		Title: USB_Interface-V4.SchDoc	
Reference:	Revision: B	BOM:01	Author: HINTEREB
Date: 25.05.2018	Size: A4	Sheet: 8 of 11	



1

2

3

4

A

A

B

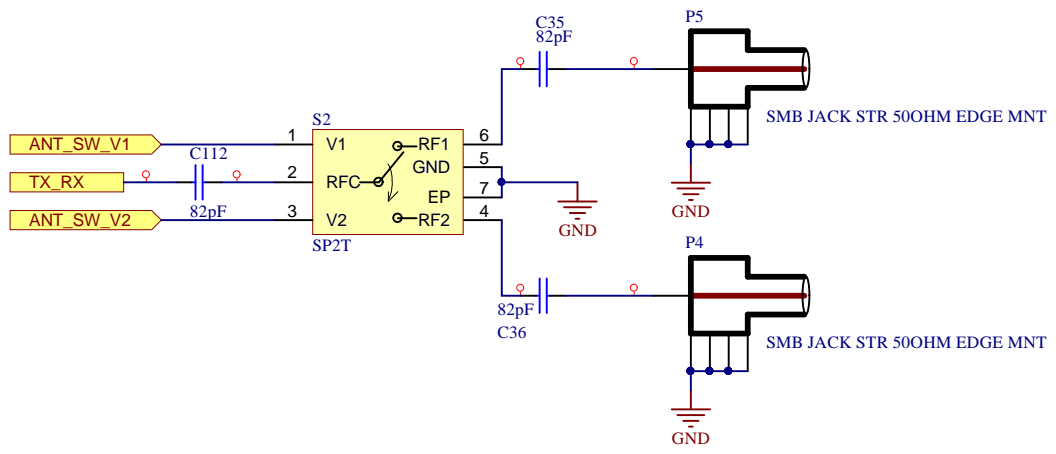
B

C

C

D

D



Altium Project: ST25RU3993-EVAL			
Project: ST25RU3993-EVAL		Title: Antenna_Switch-V4.SchDoc	
Reference:	Revision: B	BOM:01	Author: HINTEREB
Date: 25.05.2018	Size: A4	Sheet: 9 of 11	

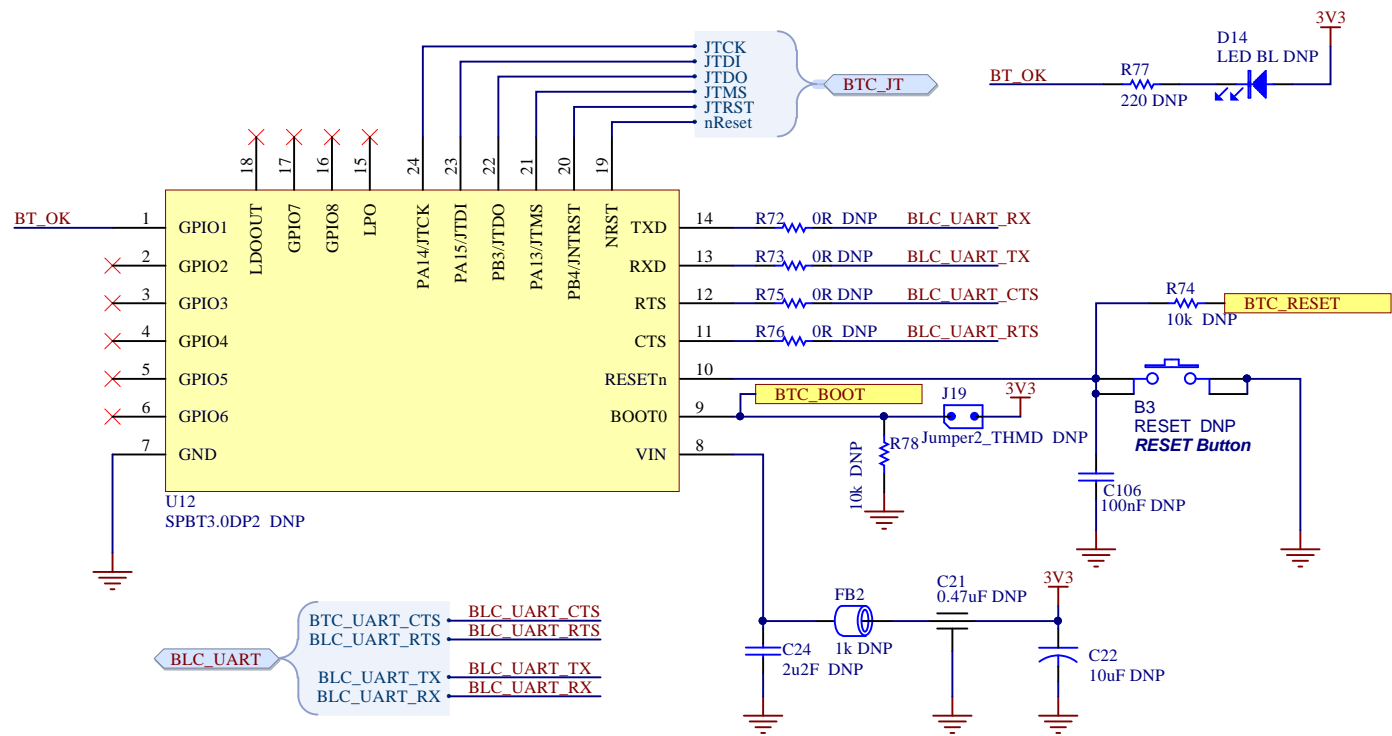


1

2

3

4



Altium Project: ST25RU3993-EVAL			
Project: ST25RU3993-EVAL		Title: Bluetooth-V4.SchDoc	
Reference:	Revision: B	BOM:01	Author: HINTEREB
Date: 25.05.2018	Size: A4	Sheet: 10 of 11	



1

2

3

4

A

A

B

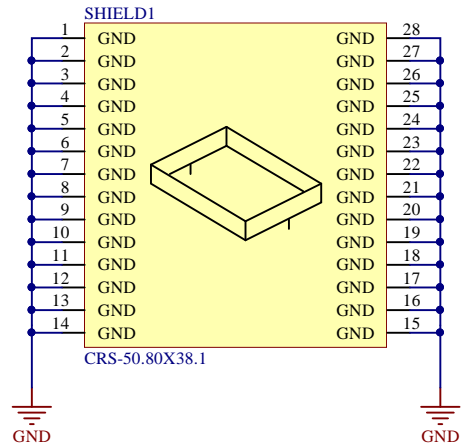
B


C

C

D

D



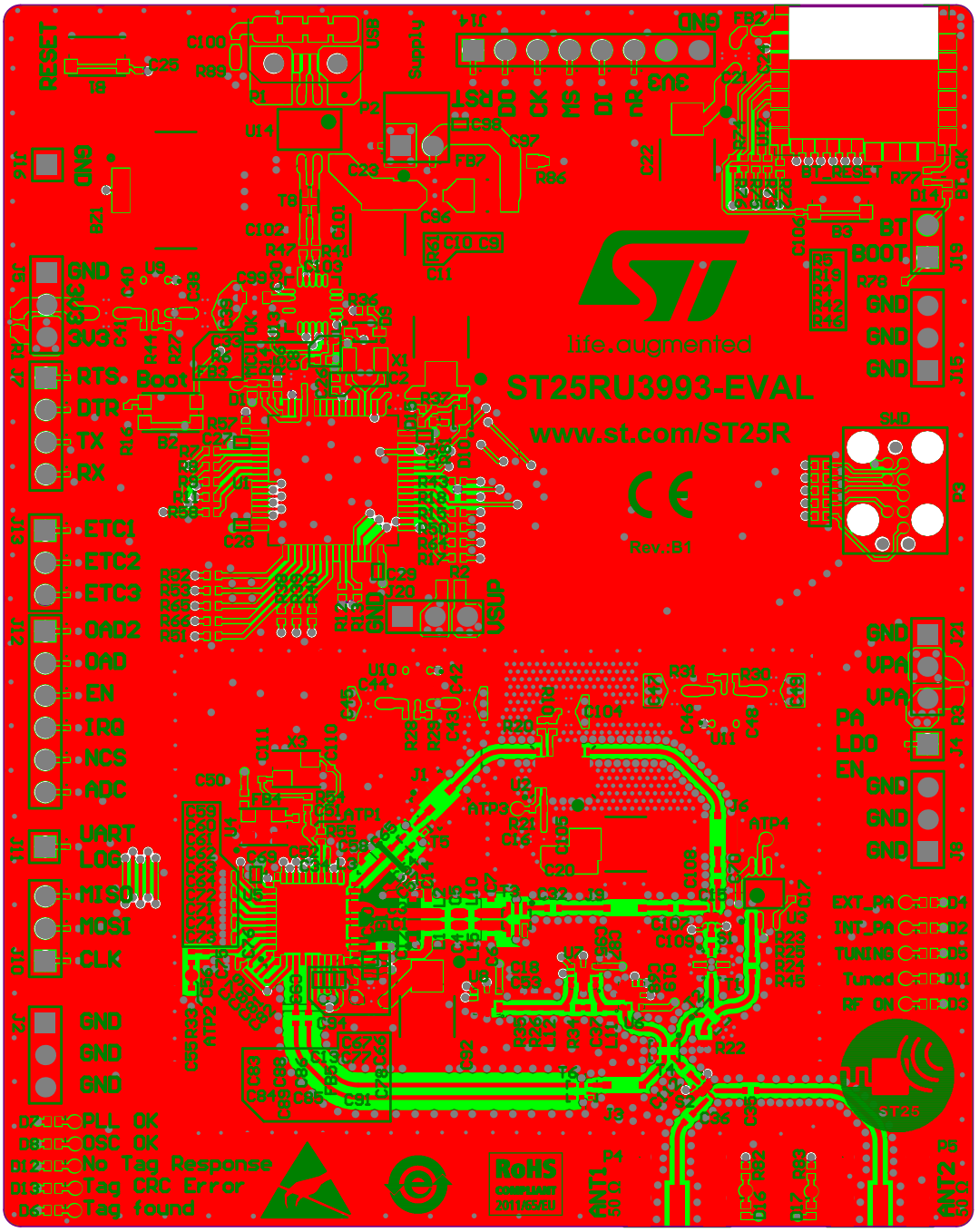
Altium Project: ST25RU3993-EVAL				
Project: ST25RU3993-EVAL		Title: Mechanical-V4.SchDoc		
Reference:	Revision: B	BOM:01	Author: HINTEREB	
Date: 25.05.2018	Size: A4		Sheet: 11 of 11	

1

2

3

4



life.augmented

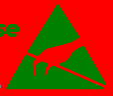
ST25RU3993-EVAL

www.st.com/ST25R



Rev.:B1

.DZ0D<CPLL OK
 .D80D<COSC OK
 .D120D<CNo Tag Response
 .D130D<CTag CRC Error
 .600D<CTag found



ANT1 50.0

D16 RB2

D17 RB9



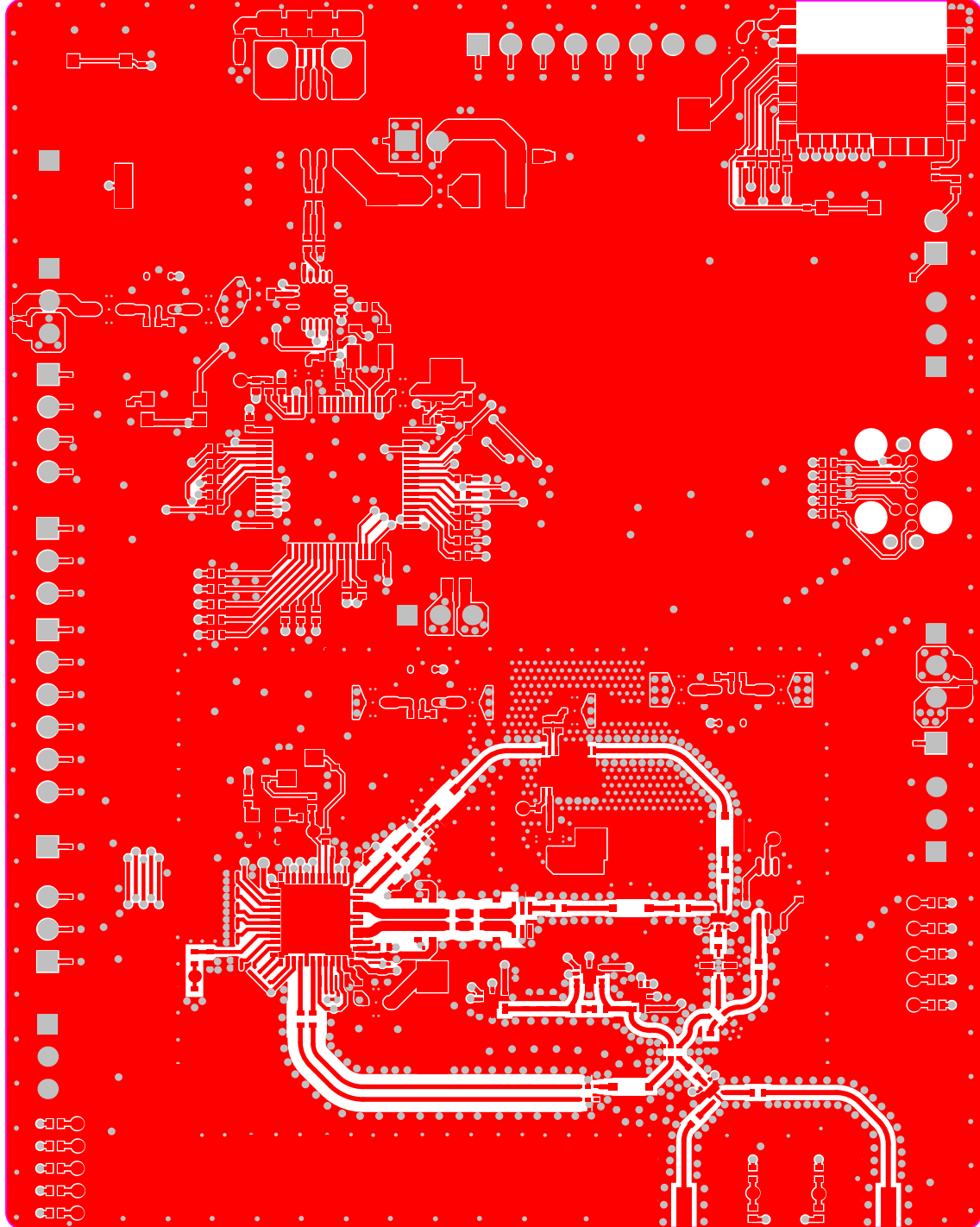
ANT2 25 50.0

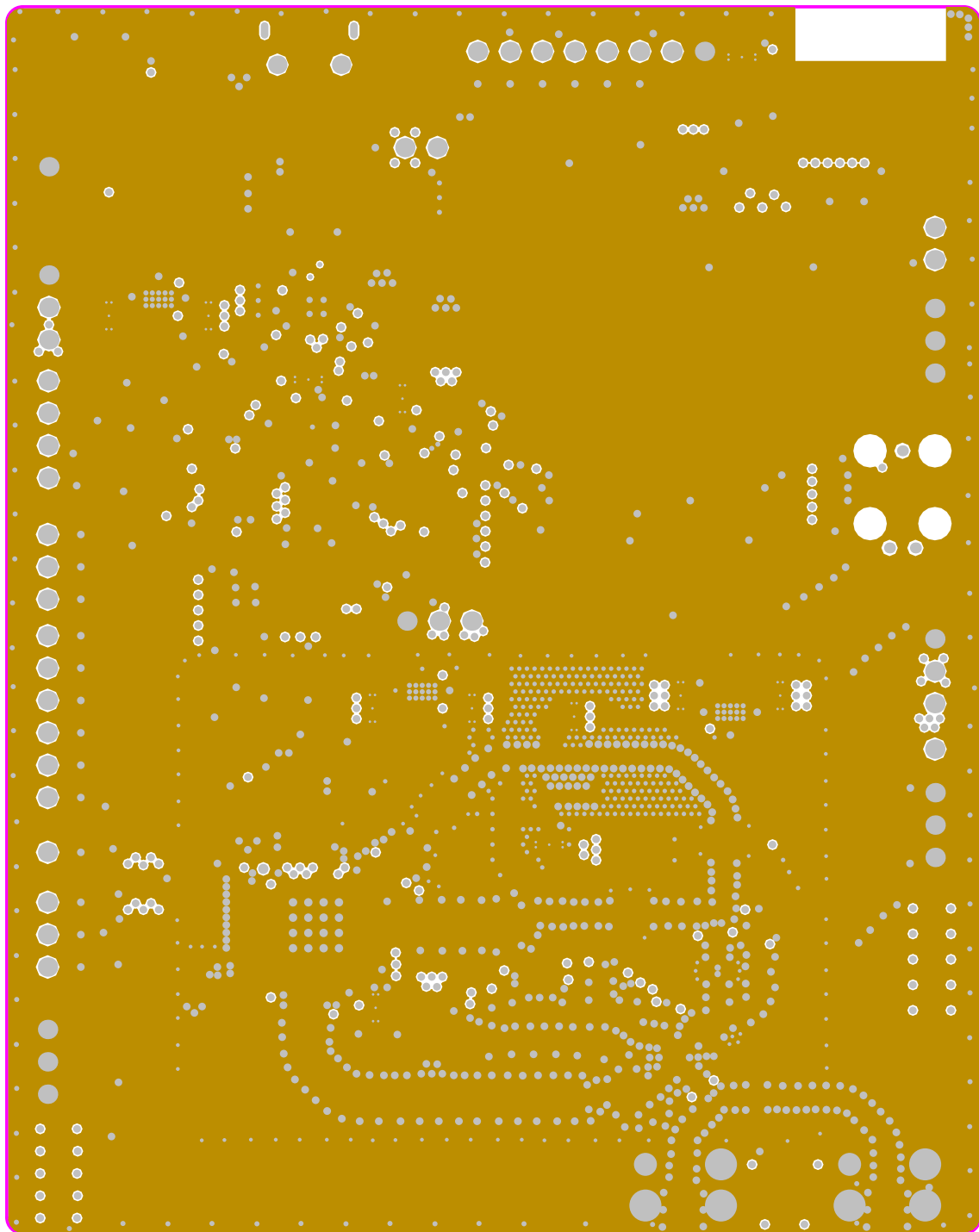
EXT_PA C100 D4
 INT_PA C100 D2
 TUNING C100 D5
 Tuned C100 D11
 RF ON C100 D3

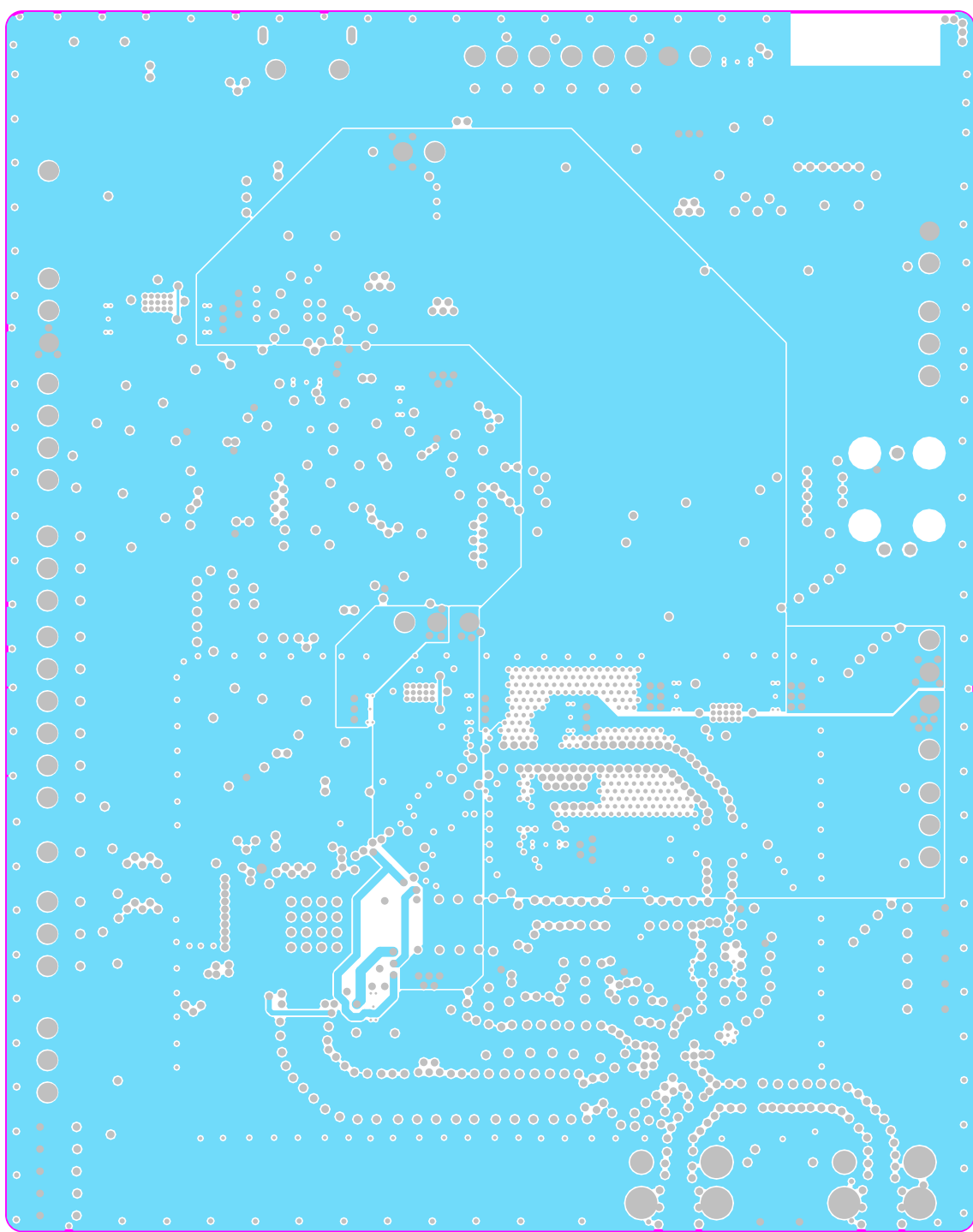
J21
 GND
 UPA
 UPA
 PA
 LDO
 EN
 GND
 GND
 GND
 J8

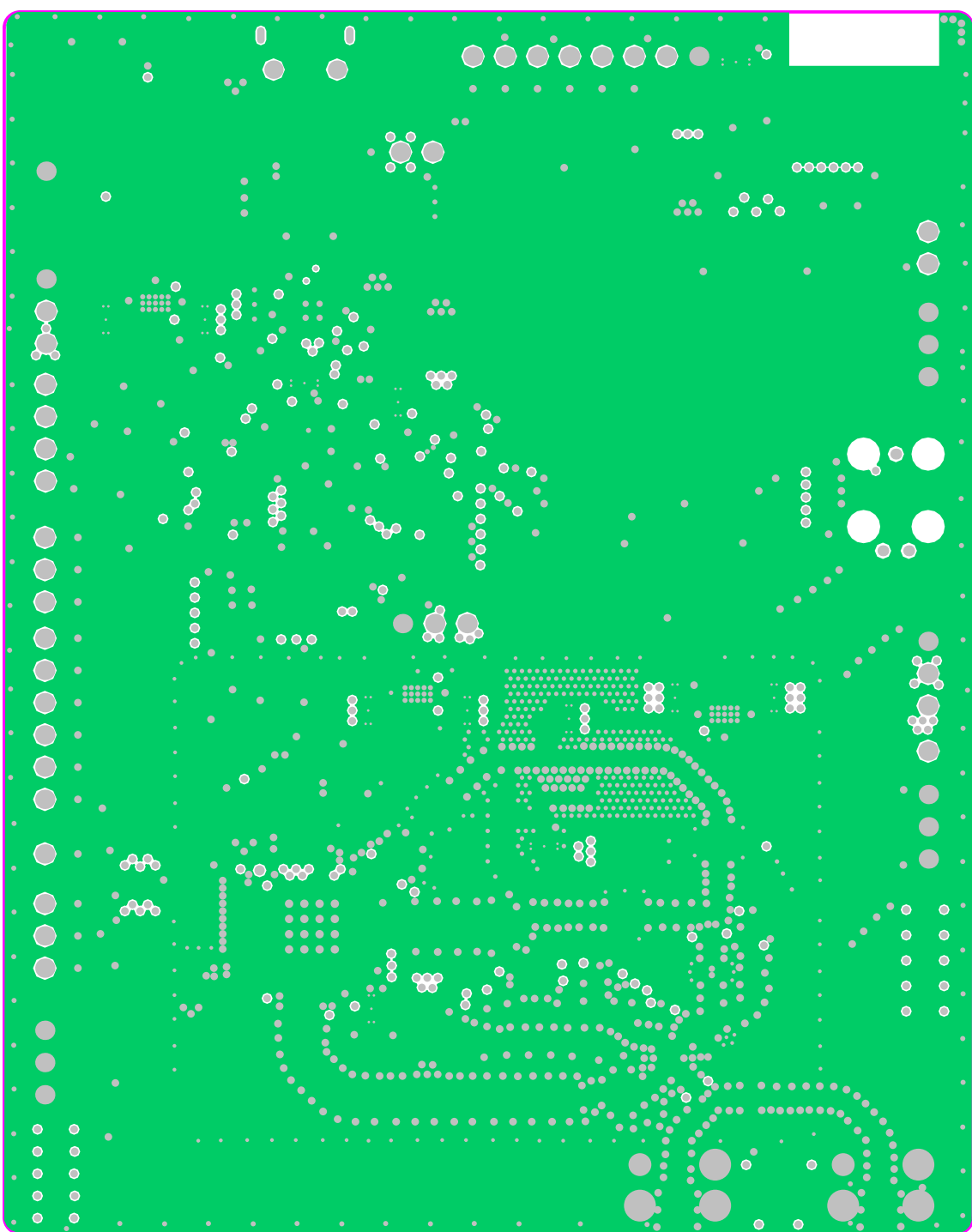
J19
 BT_OK
 BT
 BOOT
 GND
 GND
 GND
 GND
 J15

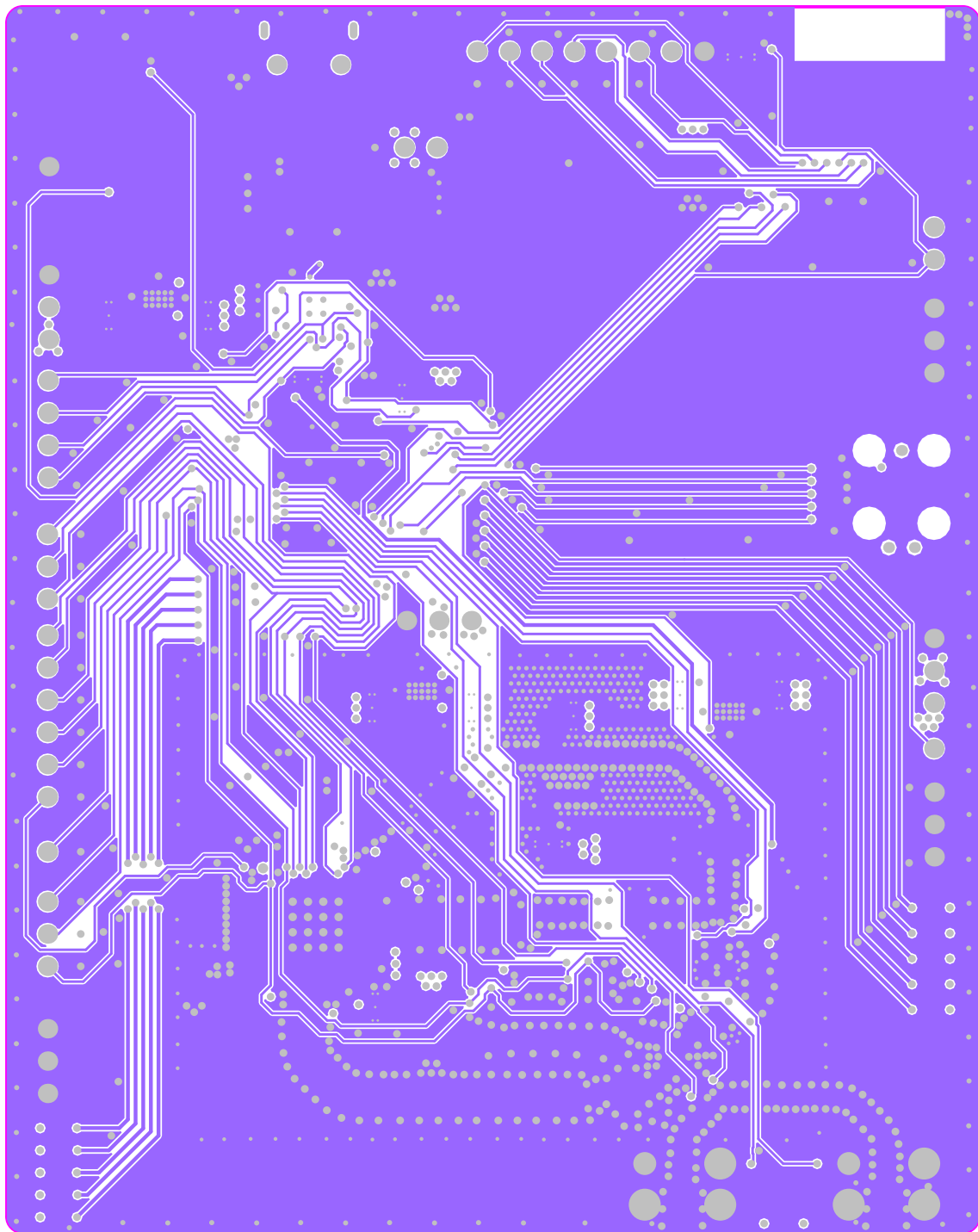
J1
 GND
 J2
 GND
 J3
 GND
 J4
 GND
 J5
 GND
 J6
 GND
 J7
 GND
 J8
 GND
 J9
 GND
 J10
 GND
 J11
 GND
 J12
 GND
 J13
 GND
 J14
 GND
 J15
 GND
 J16
 GND
 J17
 GND
 J18
 GND
 J19
 GND
 J20
 GND
 J21
 GND
 J22
 GND
 J23
 GND
 J24
 GND
 J25
 GND
 J26
 GND
 J27
 GND
 J28
 GND
 J29
 GND
 J30
 GND
 J31
 GND
 J32
 GND
 J33
 GND
 J34
 GND
 J35
 GND
 J36
 GND
 J37
 GND
 J38
 GND
 J39
 GND
 J40
 GND
 J41
 GND
 J42
 GND
 J43
 GND
 J44
 GND
 J45
 GND
 J46
 GND
 J47
 GND
 J48
 GND
 J49
 GND
 J50
 GND
 J51
 GND
 J52
 GND
 J53
 GND
 J54
 GND
 J55
 GND
 J56
 GND
 J57
 GND
 J58
 GND
 J59
 GND
 J60
 GND
 J61
 GND
 J62
 GND
 J63
 GND
 J64
 GND
 J65
 GND
 J66
 GND
 J67
 GND
 J68
 GND
 J69
 GND
 J70
 GND
 J71
 GND
 J72
 GND
 J73
 GND
 J74
 GND
 J75
 GND
 J76
 GND
 J77
 GND
 J78
 GND
 J79
 GND
 J80
 GND
 J81
 GND
 J82
 GND
 J83
 GND
 J84
 GND
 J85
 GND
 J86
 GND
 J87
 GND
 J88
 GND
 J89
 GND
 J90
 GND
 J91
 GND
 J92
 GND
 J93
 GND
 J94
 GND
 J95
 GND
 J96
 GND
 J97
 GND
 J98
 GND
 J99
 GND
 J100
 GND

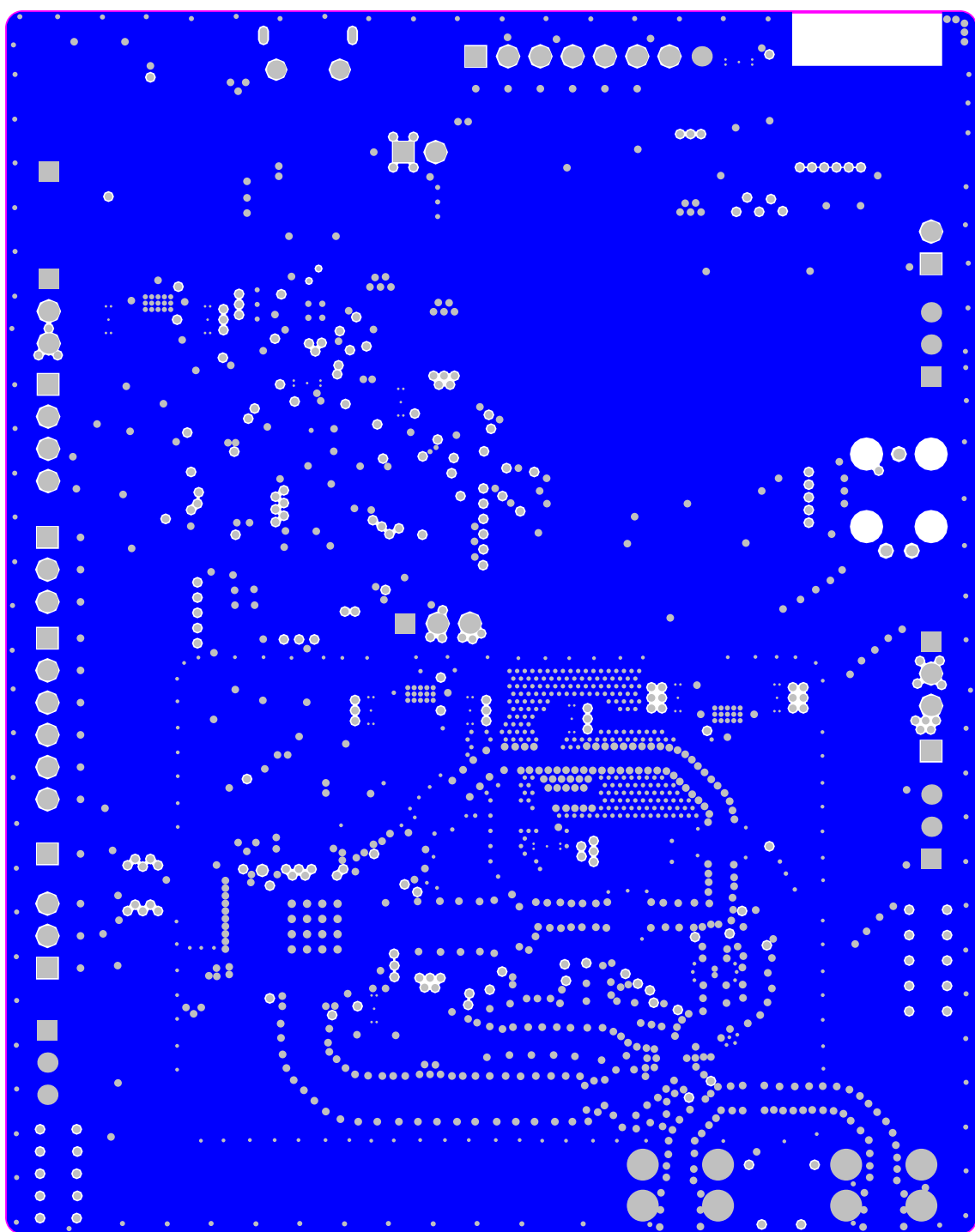


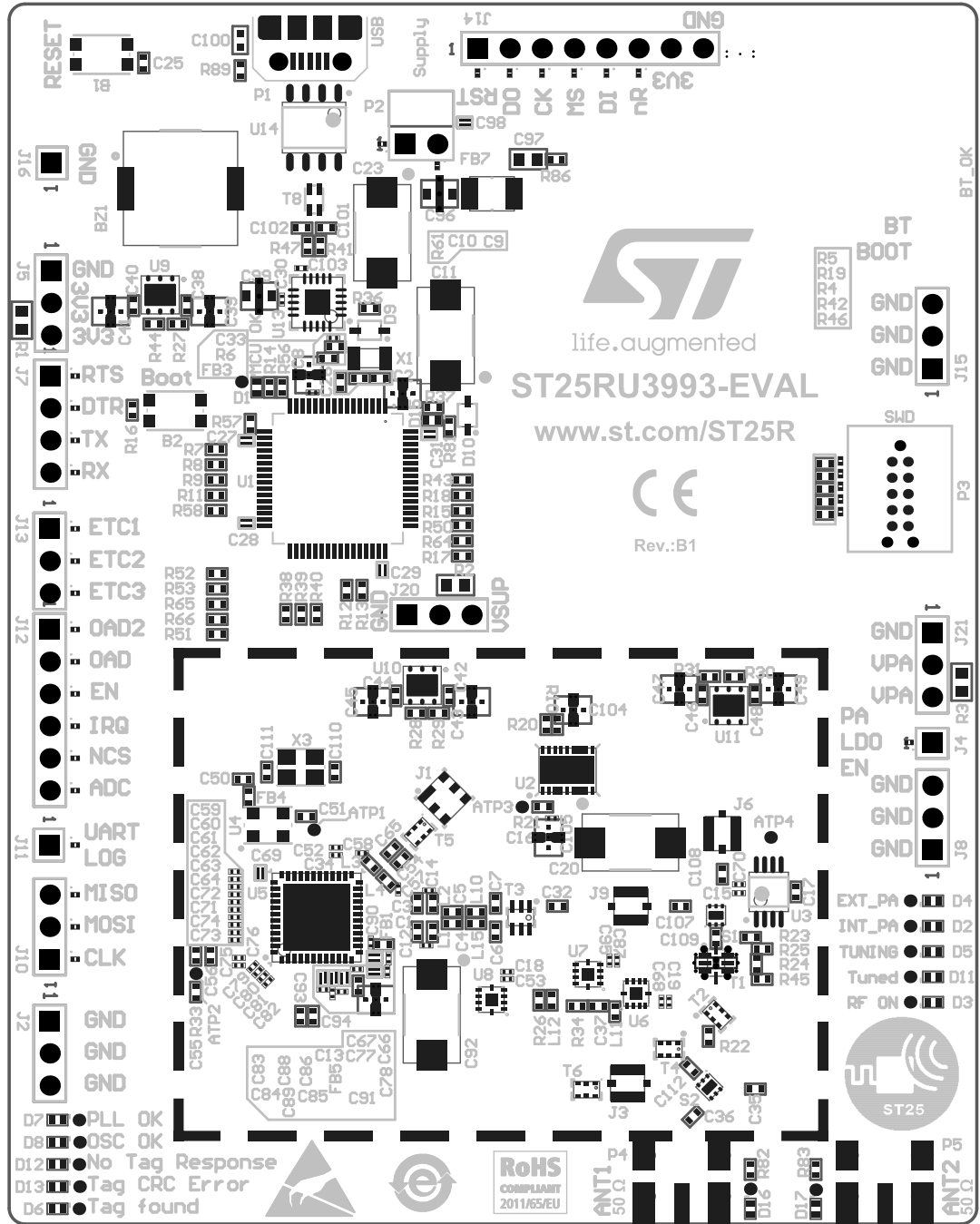













 life.augmented
ST25RU3993-EVAL
www.st.com/ST25R


 Rev.:B1

- D7 PLL OK
- D8 OSC OK
- D12 No Tag Response
- D13 Tag CRC Error
- D6 Tag found



RoHS
 COMPLIANT
 2011/65/EU

ANT1
 50 Ω



ANT2
 50 Ω