

STEVAL-ISA172V2

Schematic diagrams

Figure 1: STEVAL-ISA172V2 circuit schematic: Input section and EMI filter

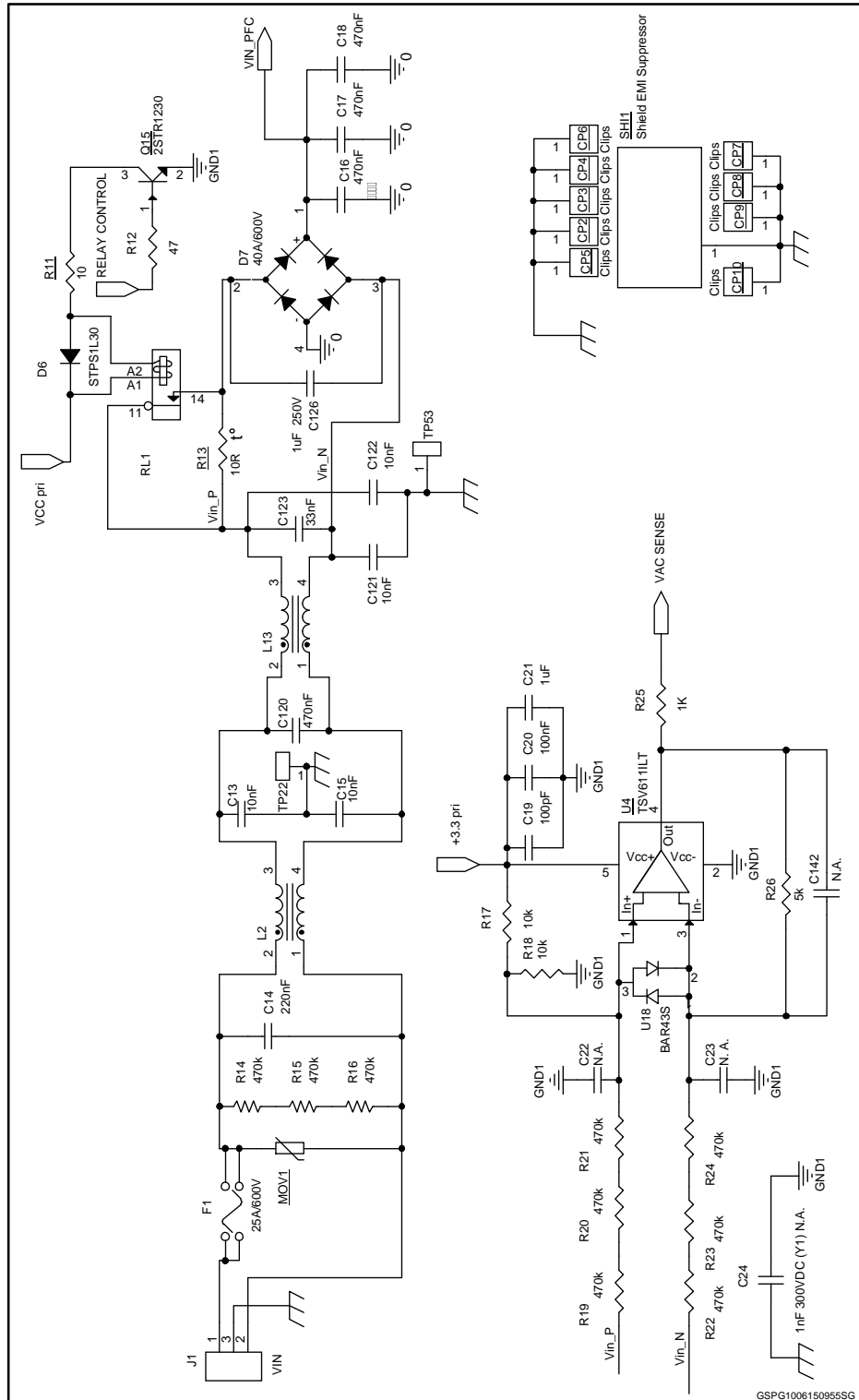


Figure 2: STEVAL-ISA172V2 circuit schematic: Interleaved PFC

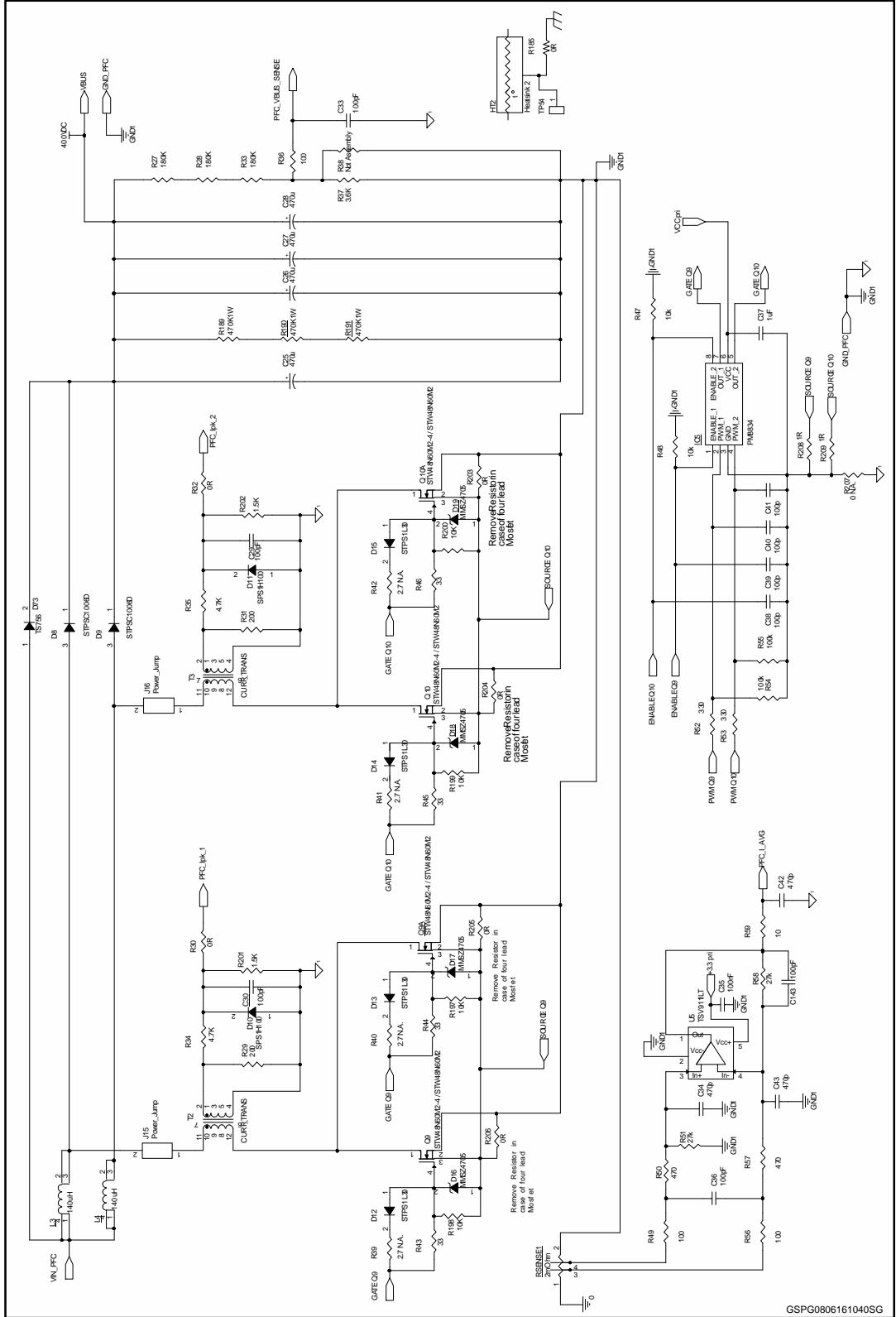


Figure 3: STEVAL-ISA172V1 circuit schematic: Phase shift DC-DC converter

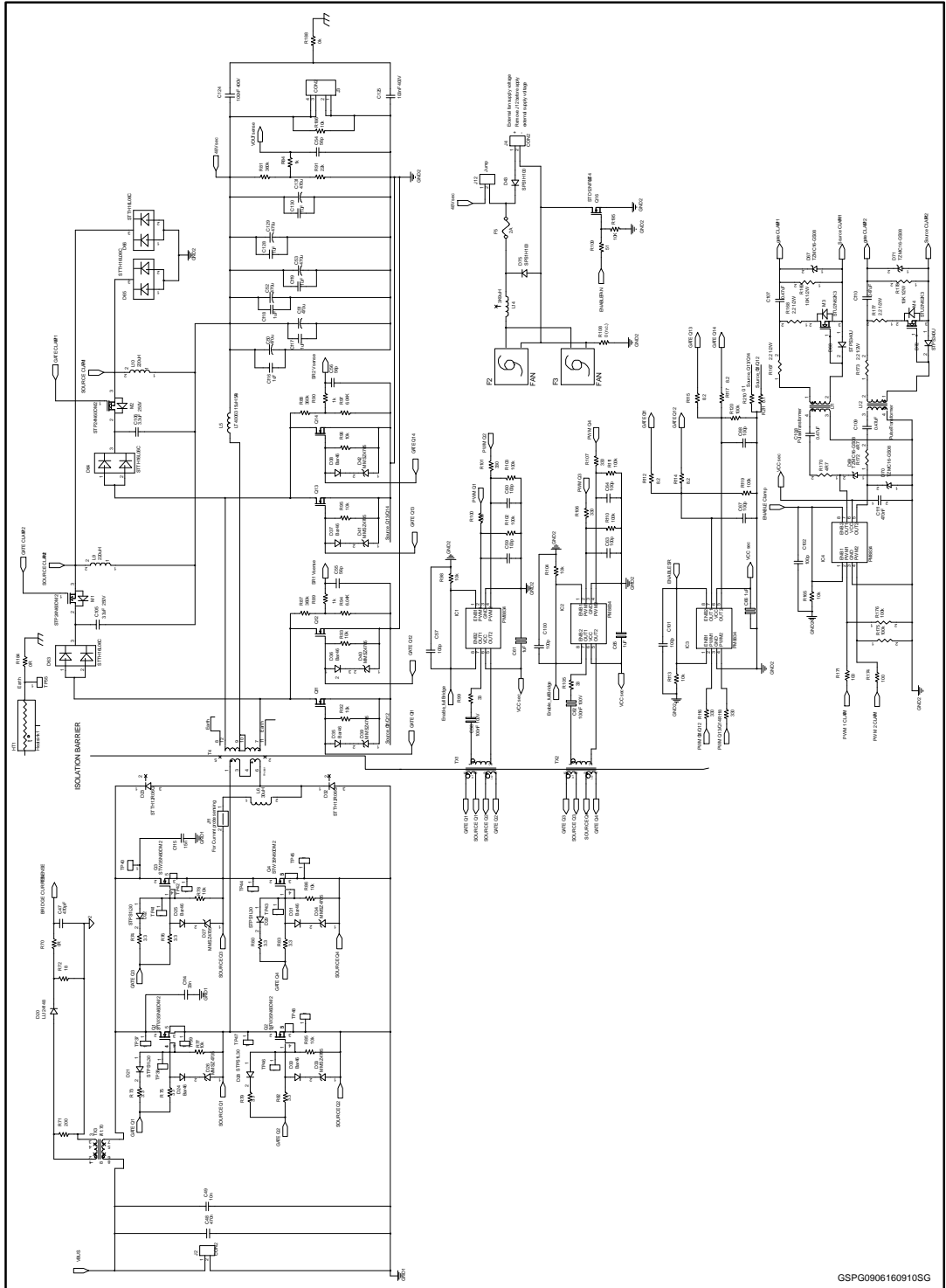
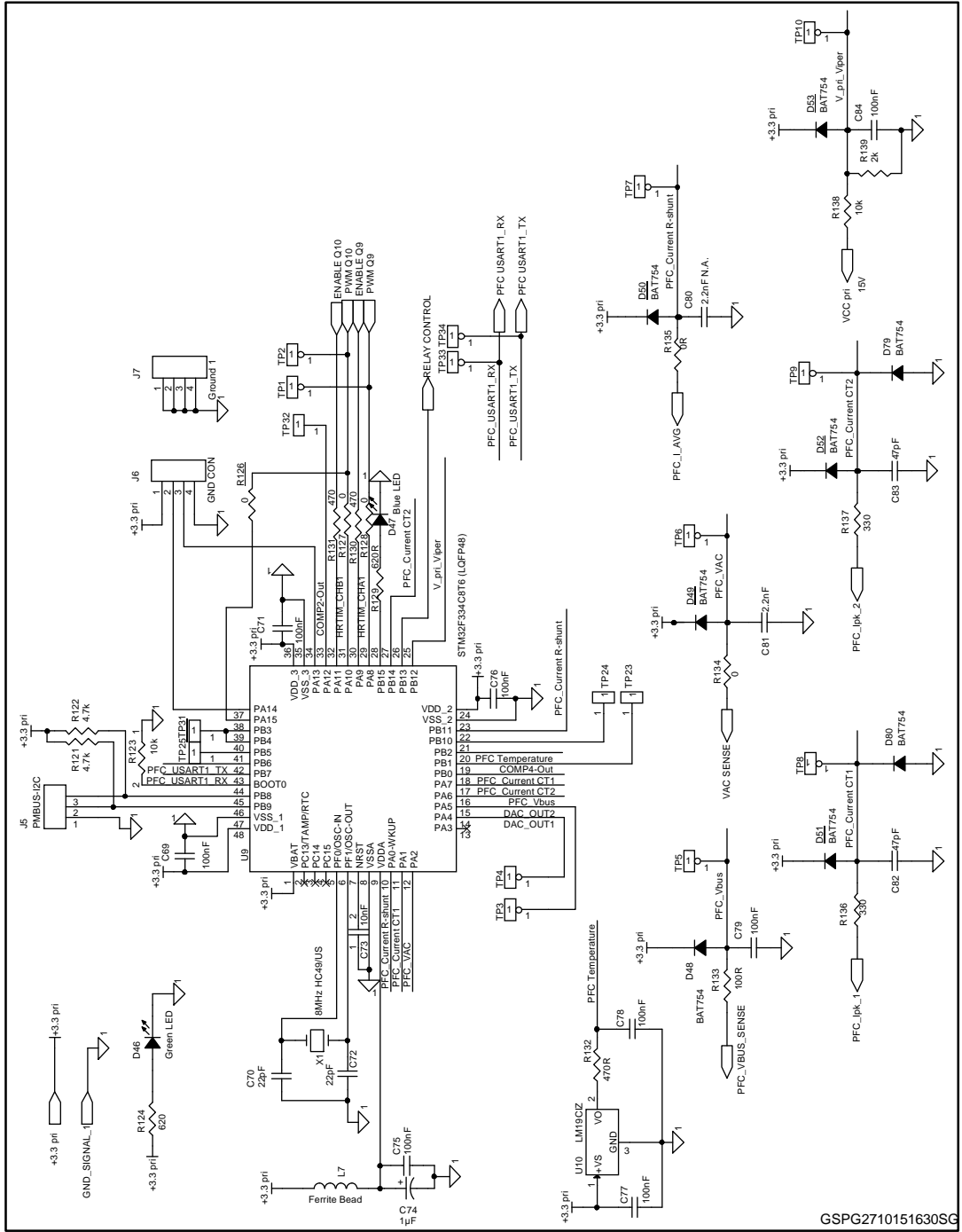


Figure 4: STEVAL-ISA172V2 circuit schematic: Primary MCU



GSPG2710151630SC

Figure 5: STEVAL-ISA172V2 circuit schematic: Secondary MCU

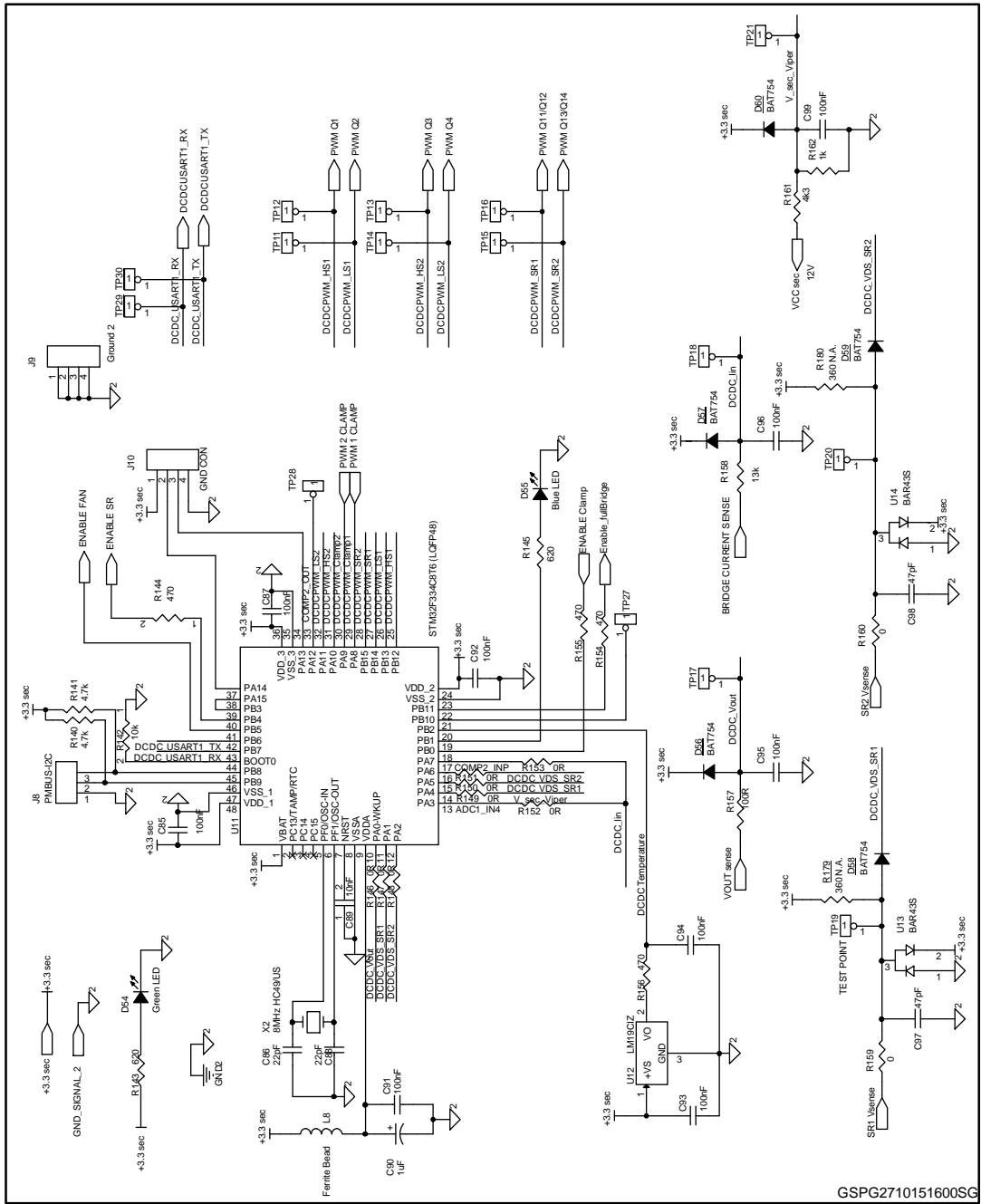


Figure 6: STEVAL-ISA172V2 circuit schematic: Auxiliary power supply

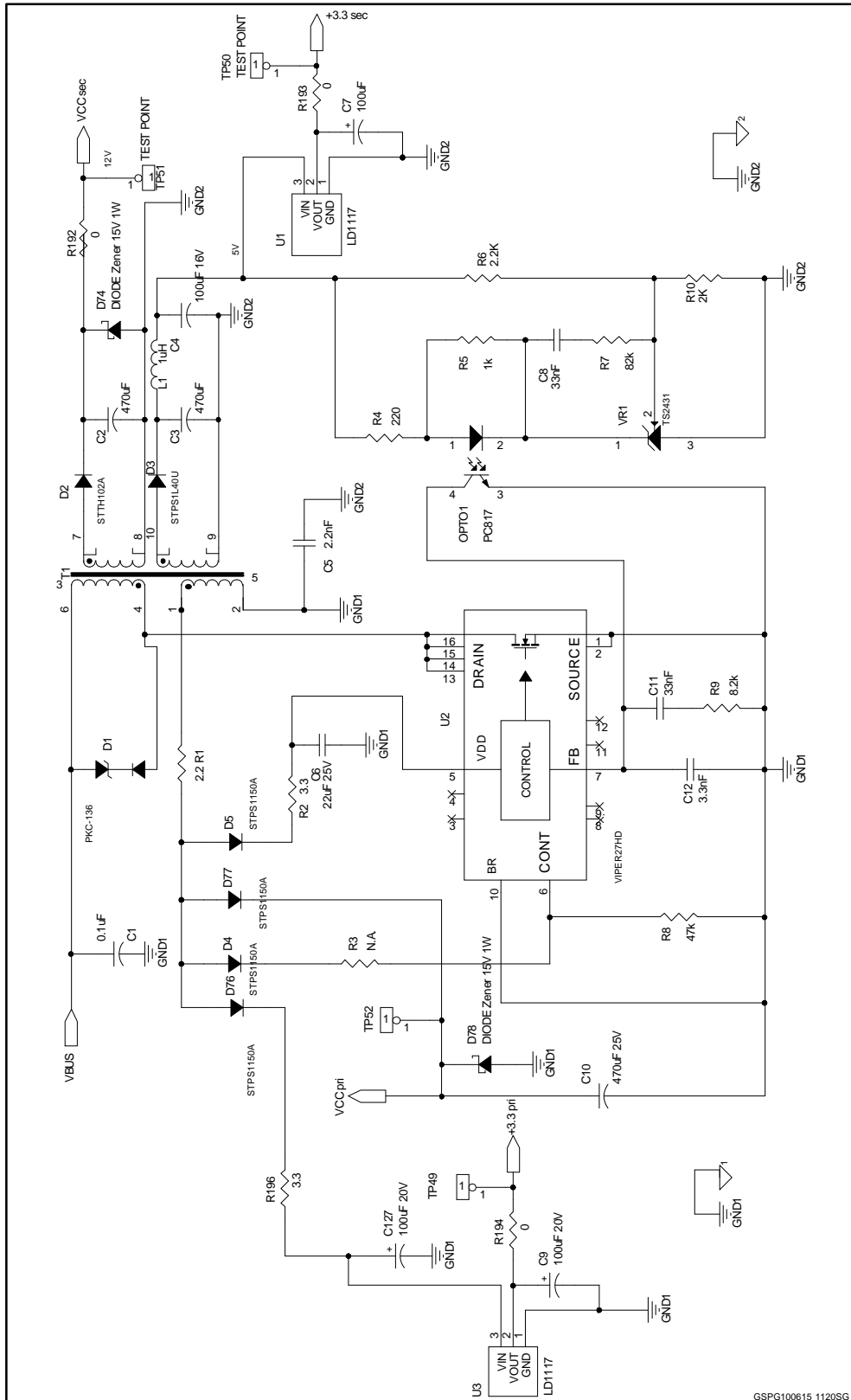


Figure 7: STEVAL-ISA172V2 circuit schematic: Communications

