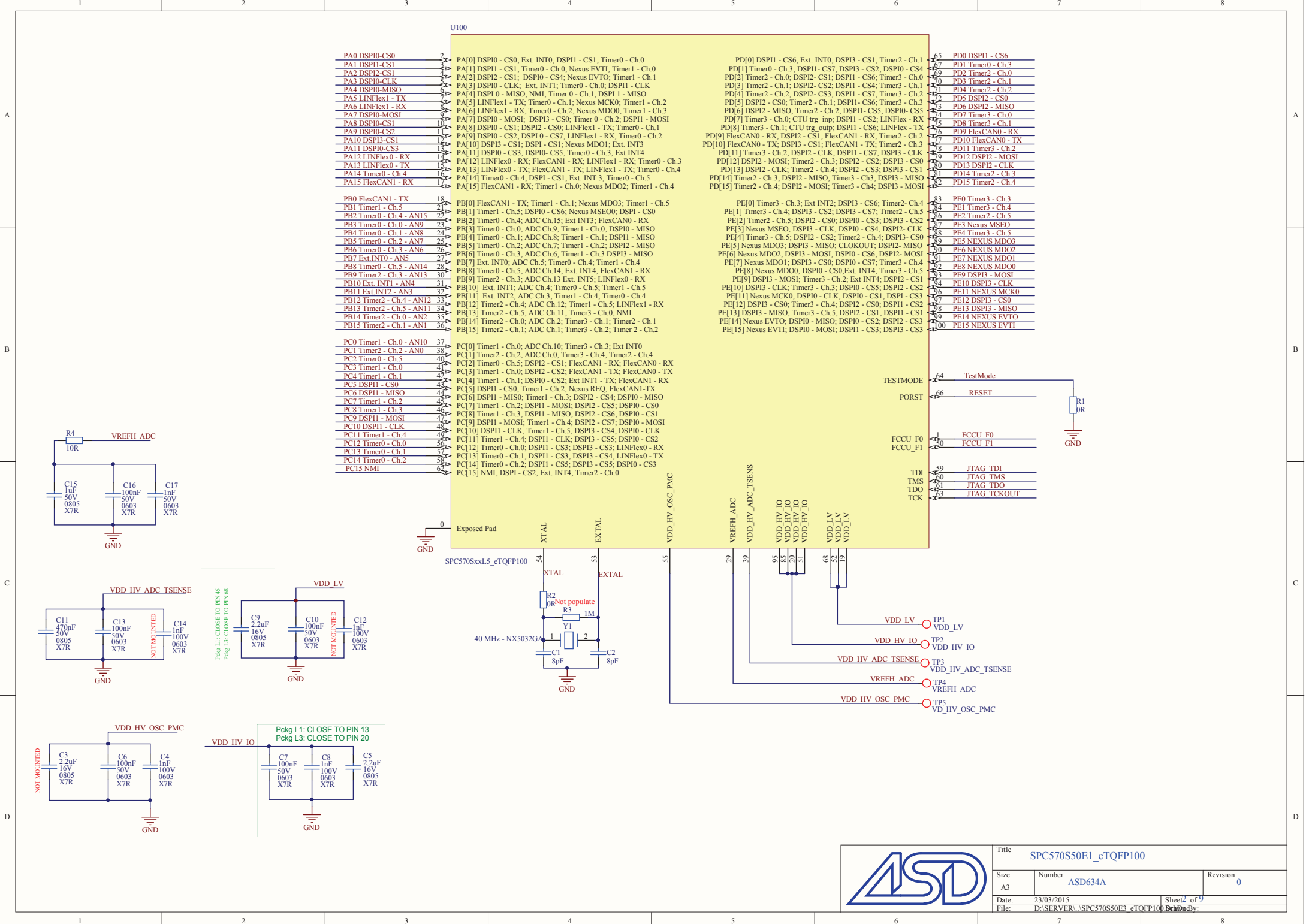
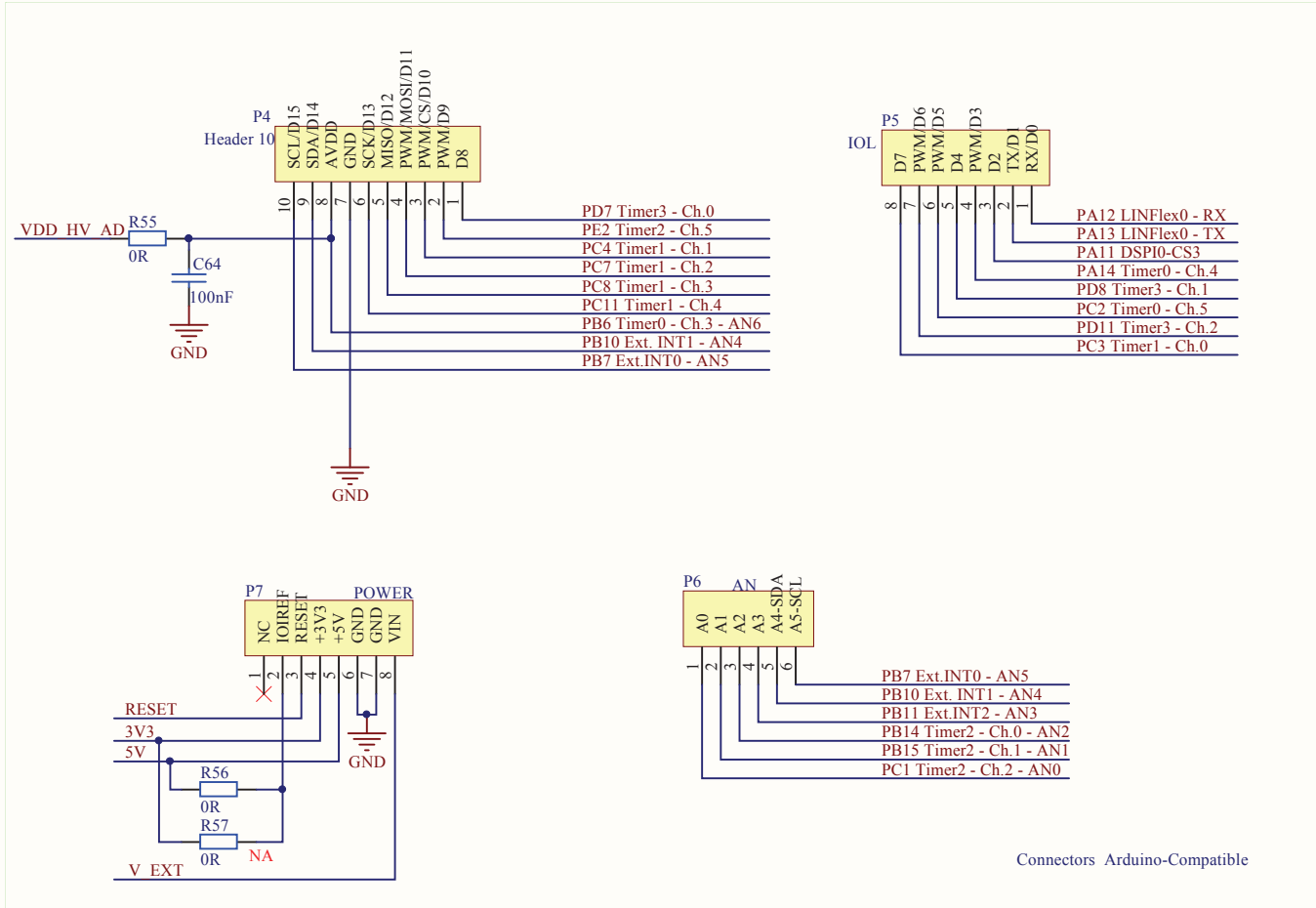


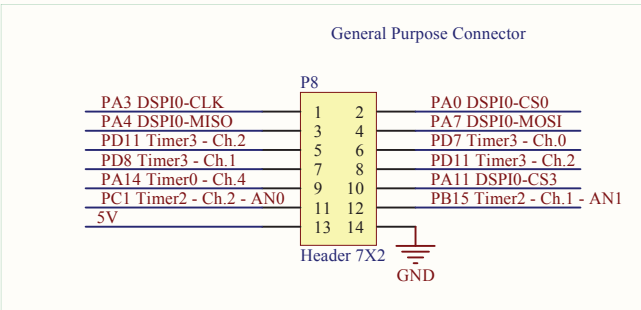
Title			SPC570S50E1_eTQFP64		
Size	Number	ASD634A		Revision	0
A3					
Date:	23/03/2015	Sheet	1 of 9		
File:	D:\SERVER\...SPC570S50E1_eTQFP64		Sheet	By:	



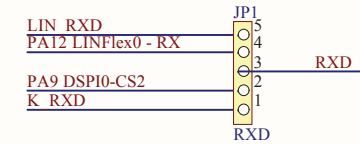
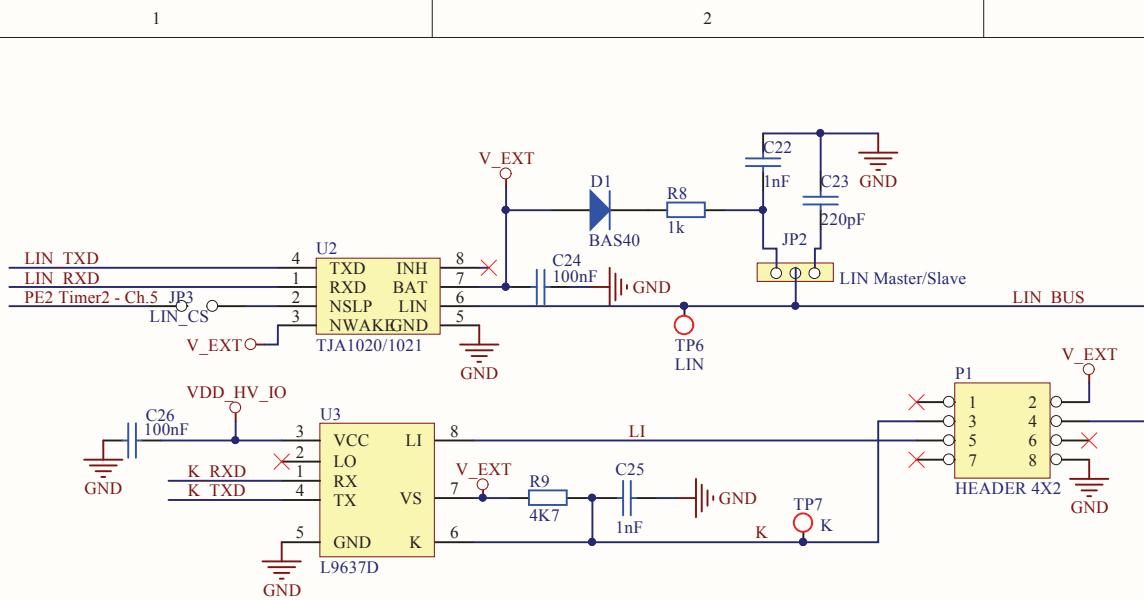
Title			SPC570S50E1_eTQFP100		
Size	Number	ASD634A			Revision
A3					0
Date:	23/03/2015	Sheet 2 of 9			
File:	D:\SERVER\...SPC570S50E3_eTQFP100	Body:			



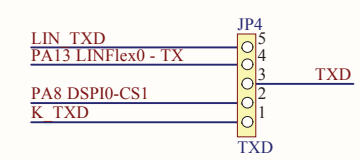
Connectors Arduino-Compatible



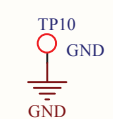
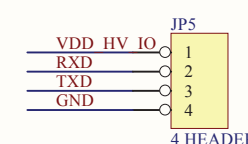
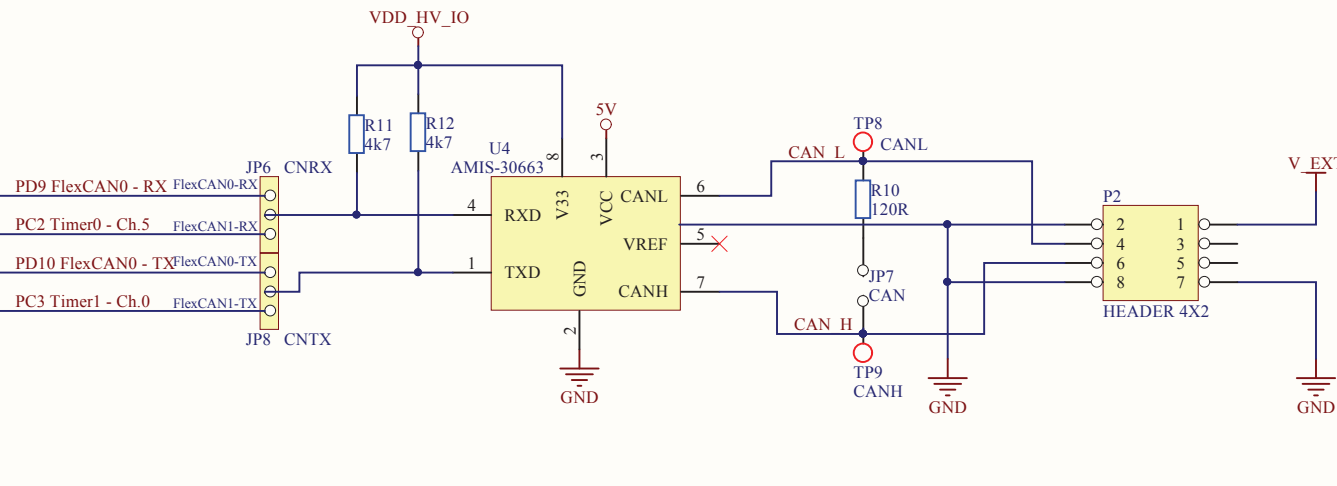
Title			SPC570S50E1_Arduino Connectors		
Size	Number	Revision			
A4	ASD634A				0
Date:	23/03/2015	Sheet 3 of 9			
File:	D:\SERVER\..SPC570S50Ex_Arduino Connectors\SchDoc				



Jumper	Signal	Signal
4-5	PA12 LINFlex0 - RX (from uC)	LIN_RXD (transceiver)
4-3	PA12 LINFlex0 - RX (from uC)	RXD (USB)
3-2	PA9 LINFlex1 - RX (from uC)	RXD (USB)
1-2	PA9 LINFlex1 - RX (from uC)	K_RXD (transceiver)



Jumper	Signal	Signal
4-5	PA13 LINFlex0 - TX (from uC)	LIN_TXD (transceiver)
4-3	PA13 LINFlex0 - TX (from uC)	TXD (USB)
3-2	PA8 LINFlex1 - TX (from uC)	TXD (USB)
1-2	PA8 LINFlex1 - TX (from uC)	K_TXD (transceiver)



Title		
SPC570S50E1_Communication Interface		
Size	Number	Revision
A4	ASD634A	0
Date:	23/03/2015	Sheet 4 of 9
File:	D:\SERVER\..SPC570S50Ex_CommunicationInterface.SchDoc	

A

A

B

B

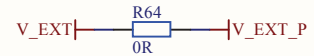
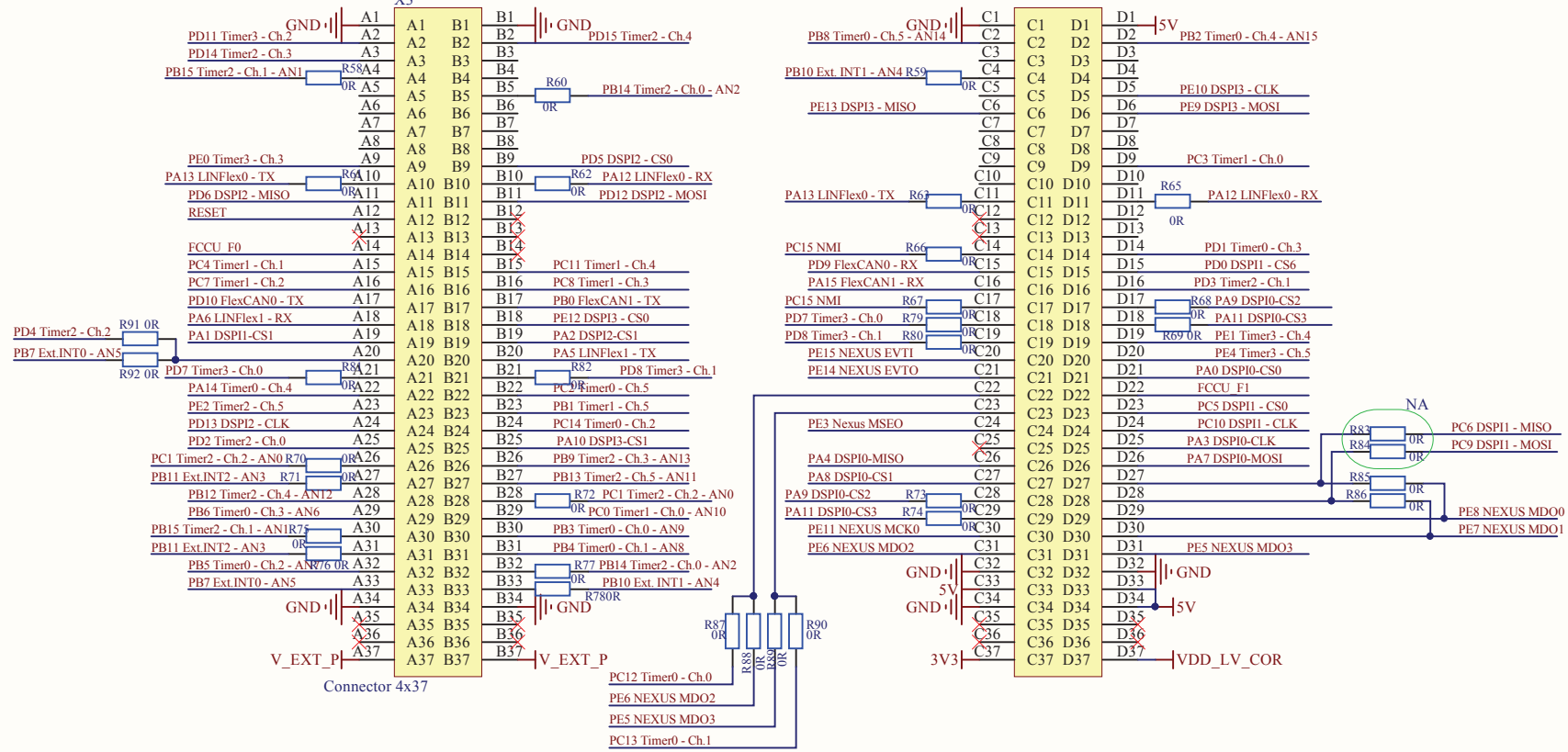
C

C

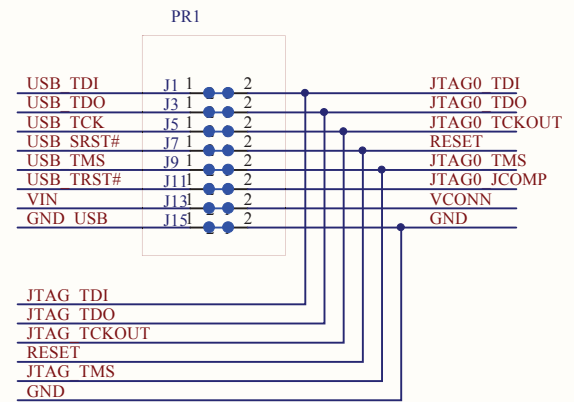
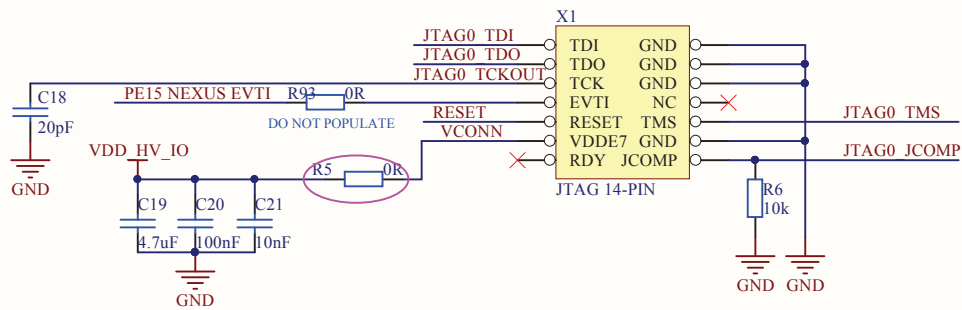
D

D

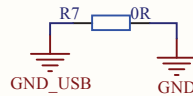
X3




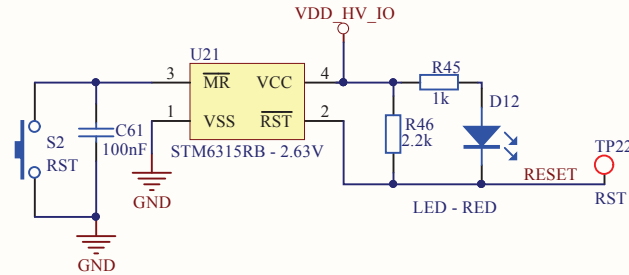
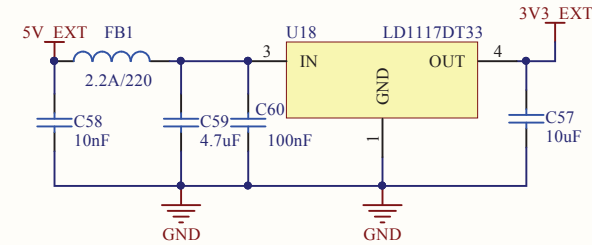
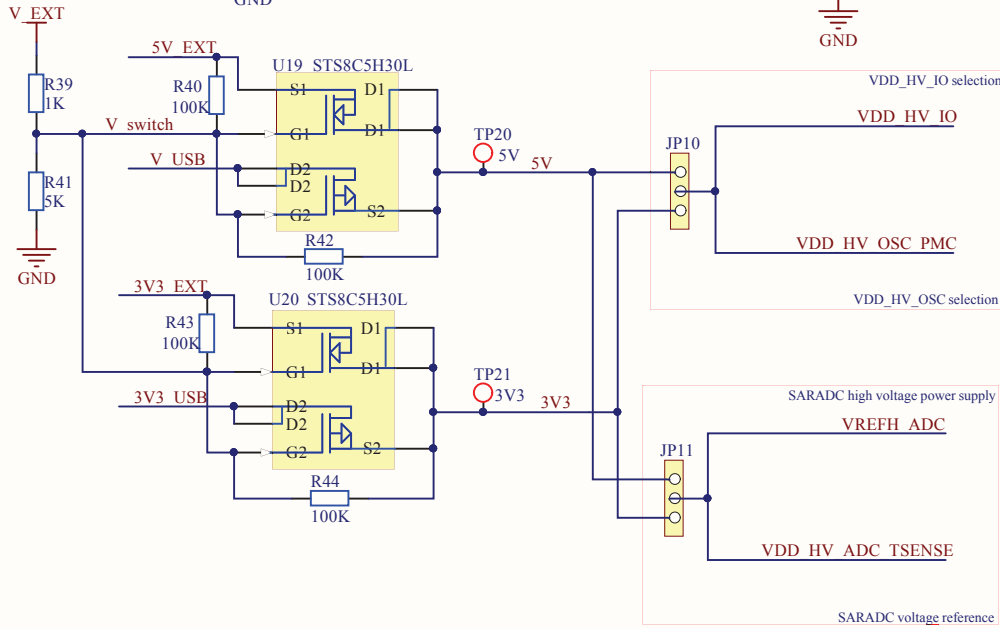
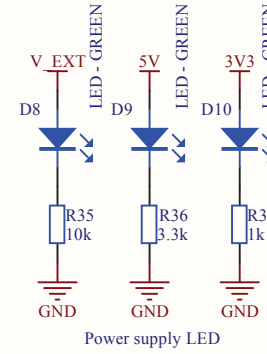
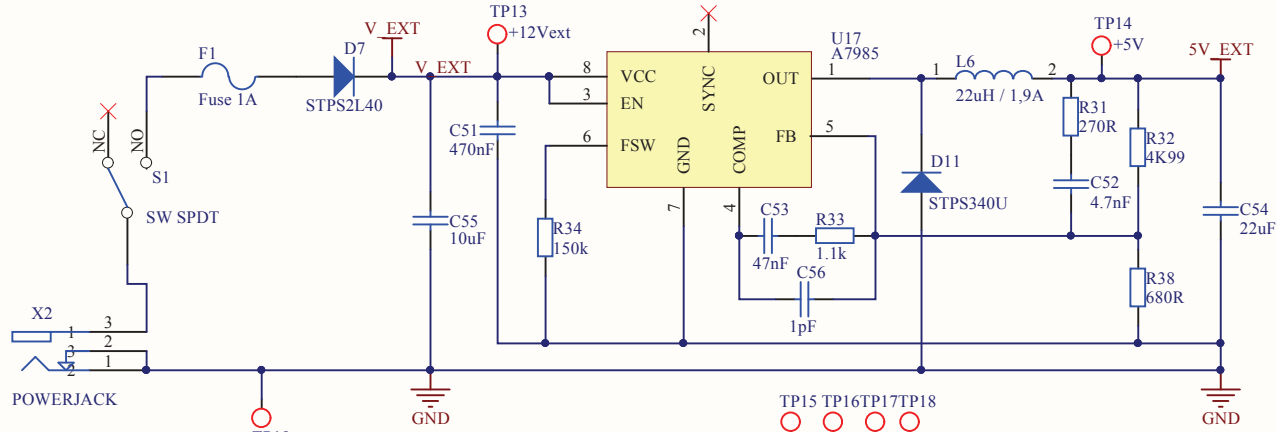
Title			SPC570S50E1_Connectors 4x37		
Size	Number	Revision			0
A4	ASD634A				
Date:	23/03/2015	Sheet		5	of 9
File:	D:\SERVER\...SPC570S50Ex_Connectors 4x37.Dwg				



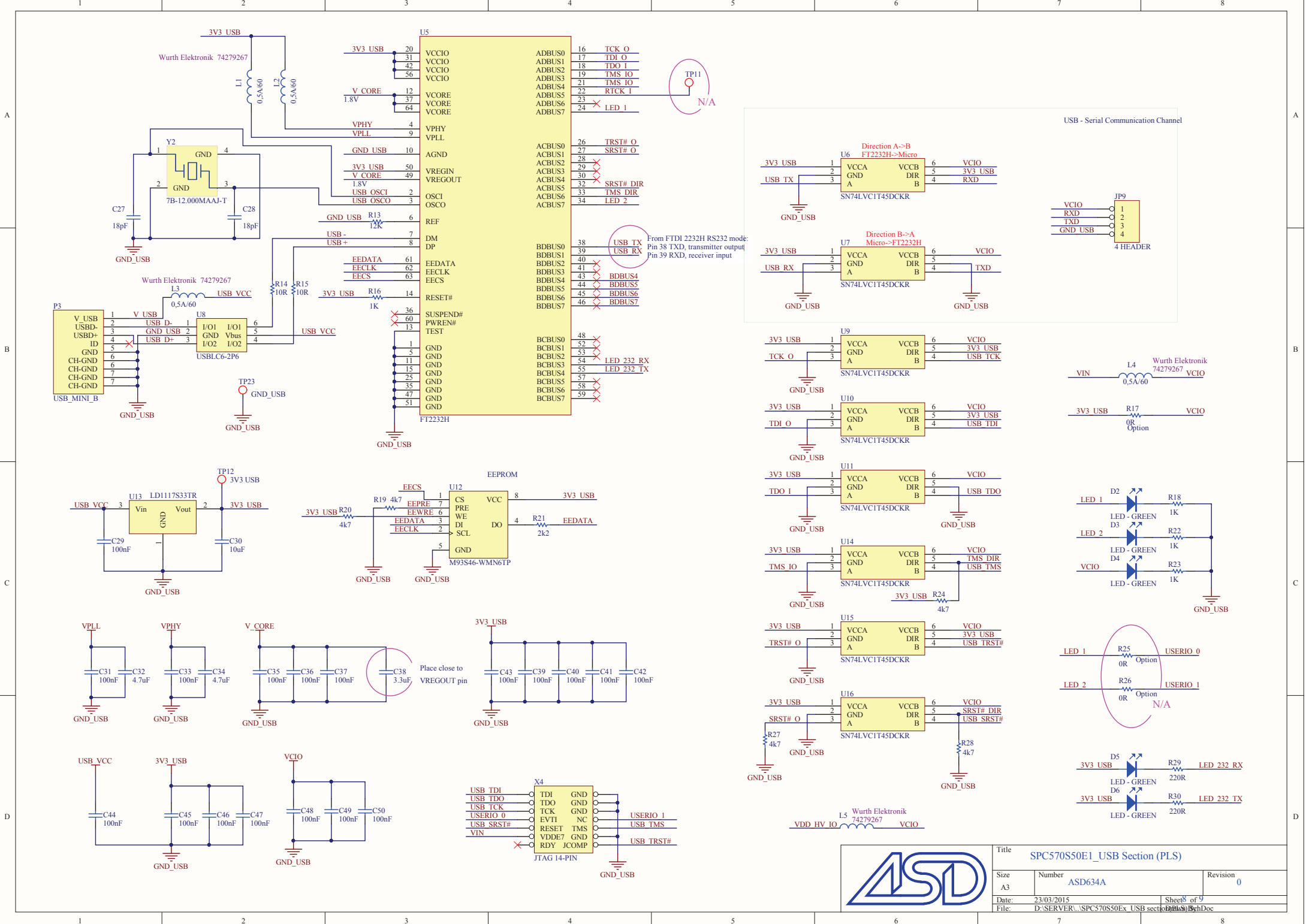
Configuration Table
 PR1 Config
 ON USB
 OFF ExtJTAG only



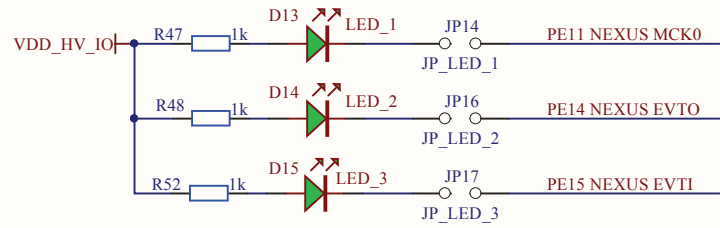
		Title SPC570S50E1_Debug Interface	
		Size A4	Number ASD634A
Date: 23/03/2015		Sheet 6 of 9	
File: D:\SERVER\...SPC570S50Ex_Debug Interface_SchDoc		D:\SERVER\...SPC570S50Ex_Debug Interface_SchDoc	



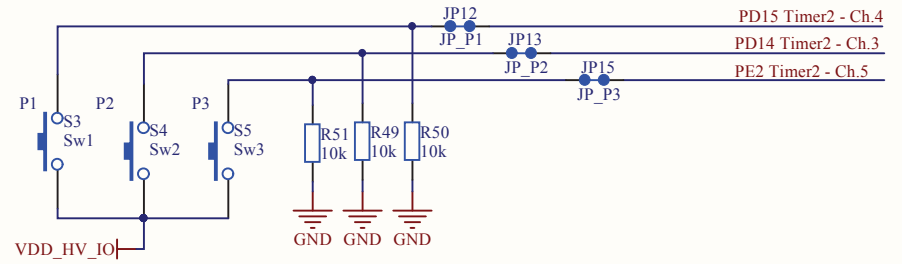
Title			SPC570S50E1_PSU		
Size	Number	Revision			
A4	ASD634A				0
Date:	23/03/2015	Sheet 7 of 9		Drawn By:	
File:	D:\SERVER\..SPC570S50Ex_PSU.Sch				



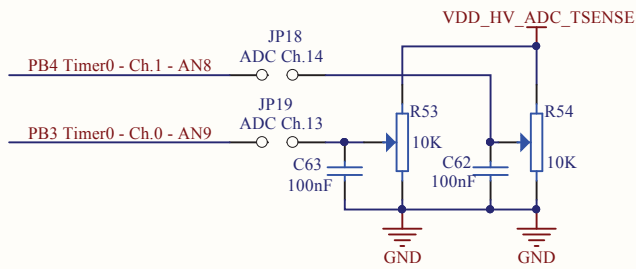
Title			SPC570S50E1_USB Section (PLS)		
Size	Number	ASD634A		Revision	0
A3					
Date:	23/03/2015	Sheet 8 of 9		D:\SERVER\...SPC570S50EX_USB section\ASD\SchDoc	
File:					



LED User



Pushbutton User



ADC User test



Title			SPC570S50E1_User Interface		
Size	Number	Revision			
A4	ASD634A				0
Date:	23/03/2015	Sheet		9	of 9
File:	D:\SERVER\...SPC570S50Ex_User Interface\Drawings\Doc				