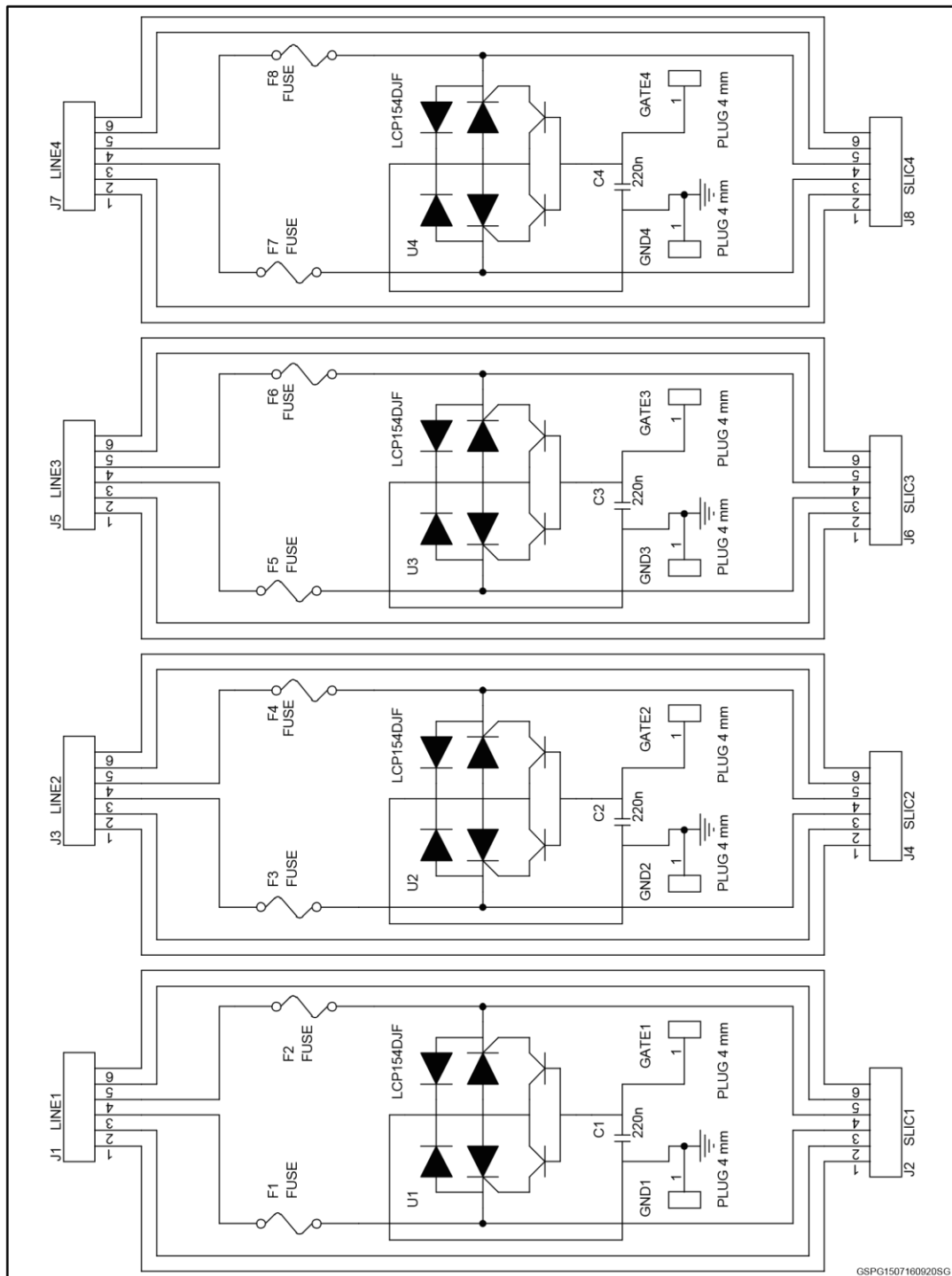


STEVAL-OET001V1

Schematic diagram



LCP154DJF connections

