

# STEVAL-3DP001V1

# Schematic diagrams

Figure 1: STEVAL-3DP001V1 circuit schematic: Power supply

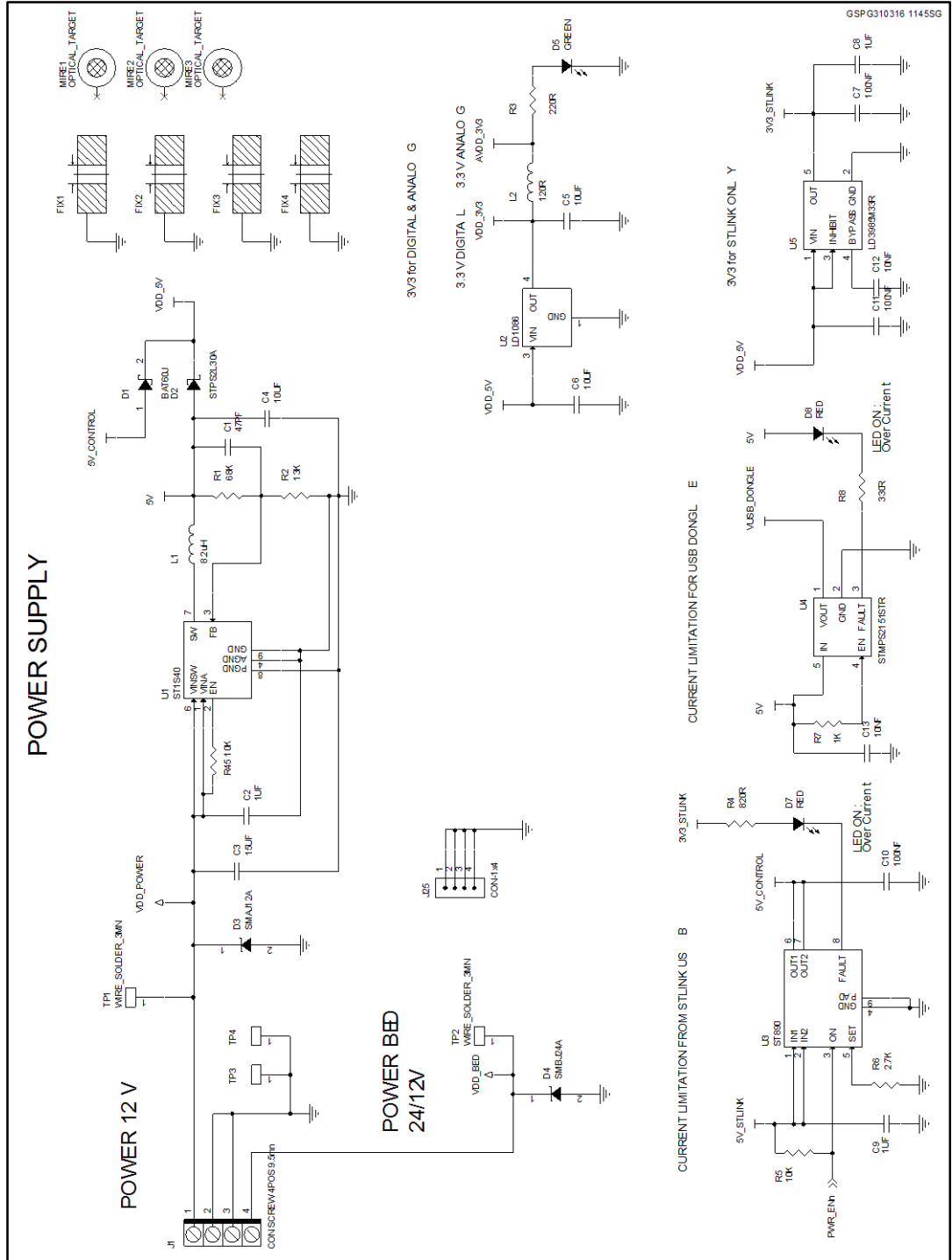


Figure 2: STEVAL-3DP001V1 circuit schematic: Motors

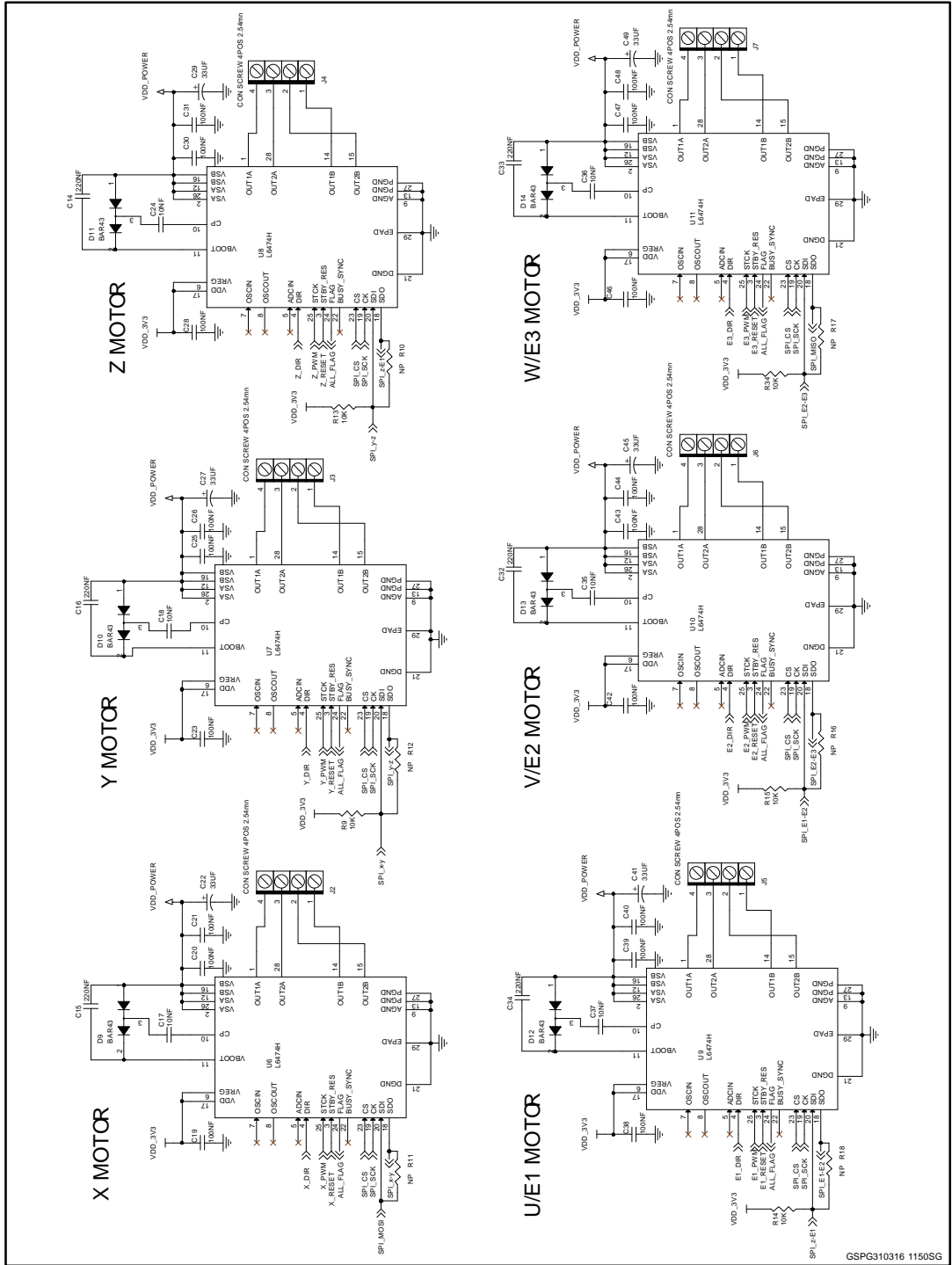


Figure 3: STEVAL-3DP001V1 circuit schematic: BEDS control

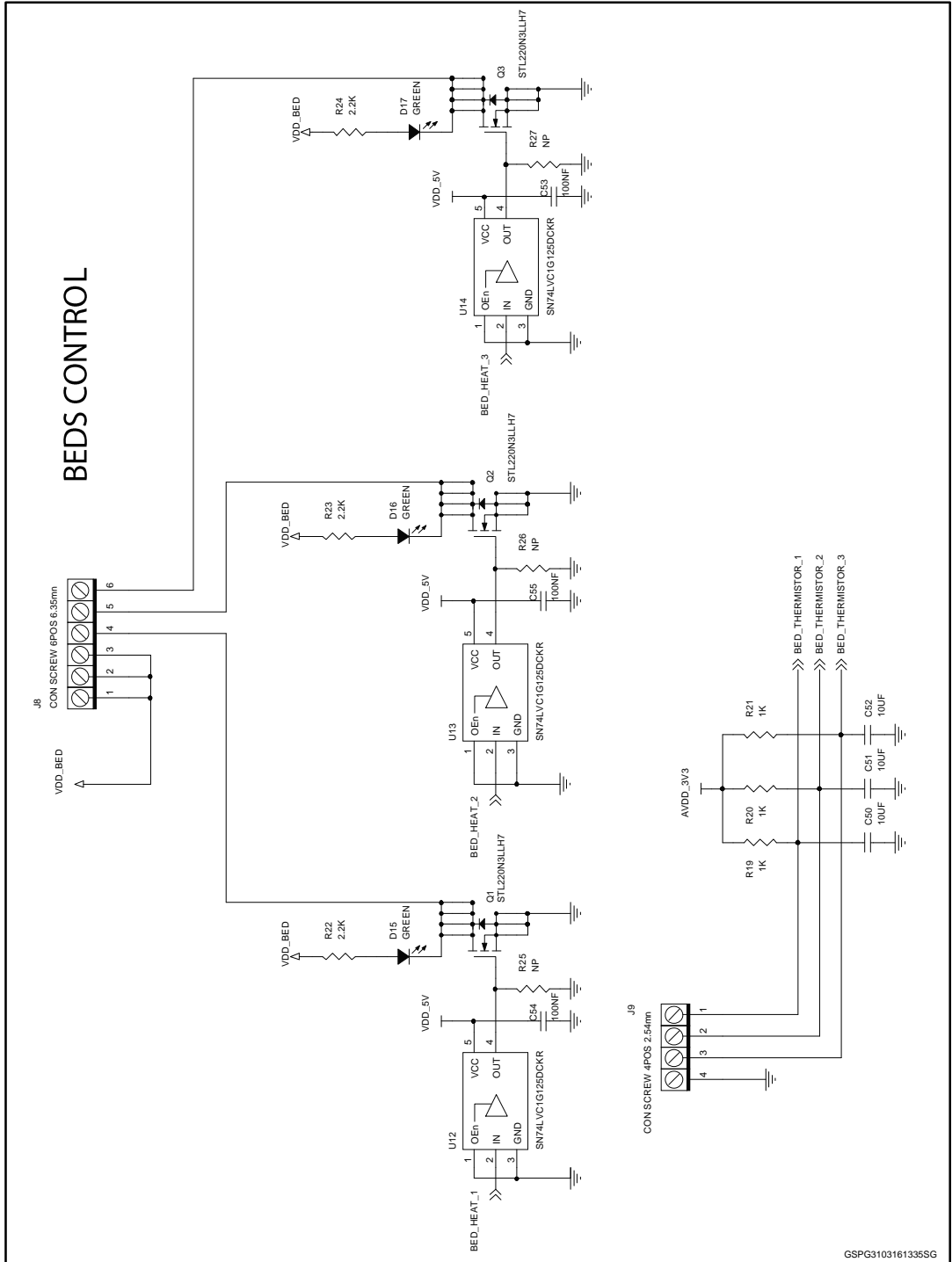


Figure 4: STEVAL-3DP001V1 circuit schematic: Controls

GSPG3103161345SG

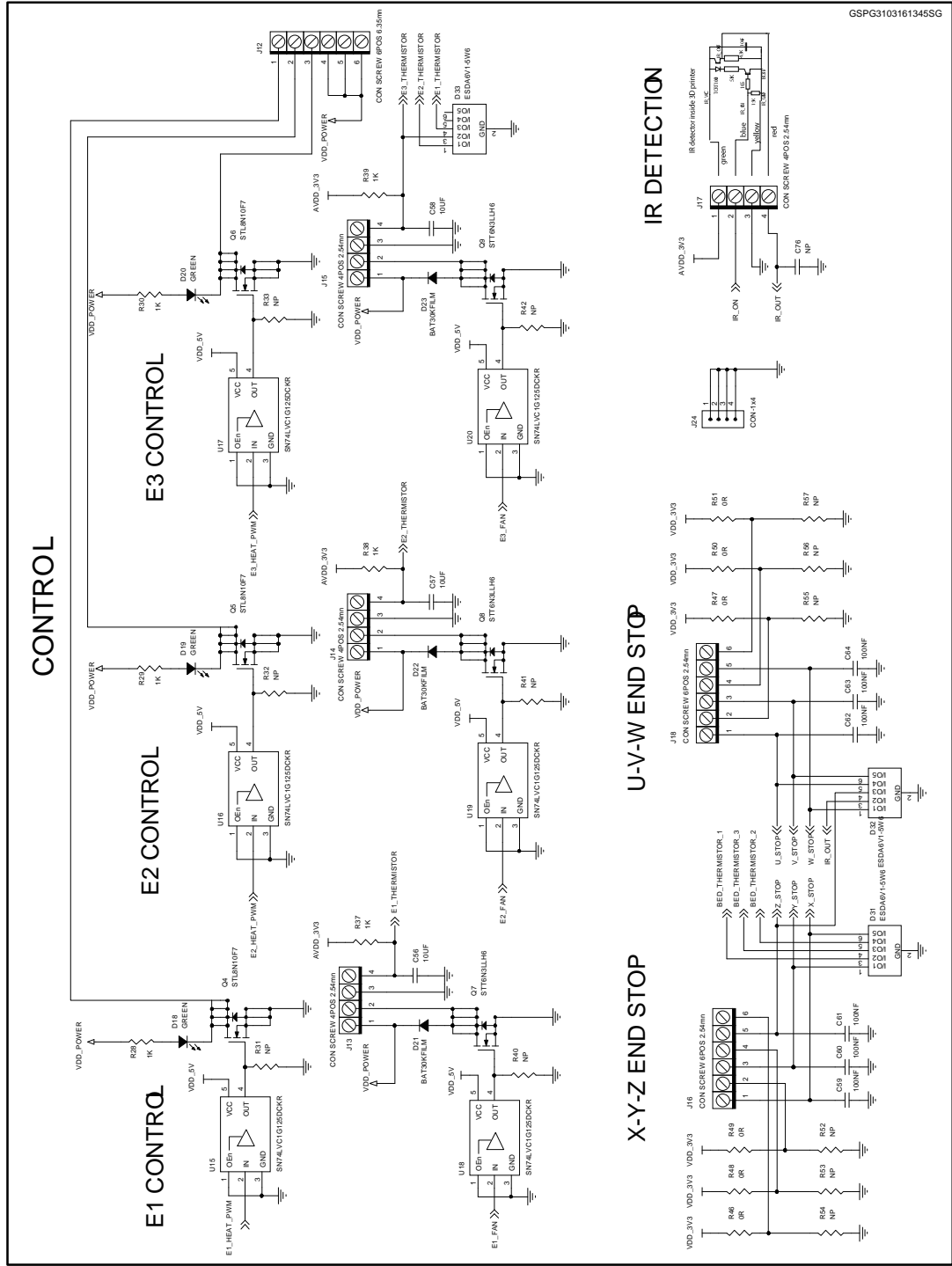


Figure 5: STEVAL-3DP001V1 circuit schematic: Peripherals

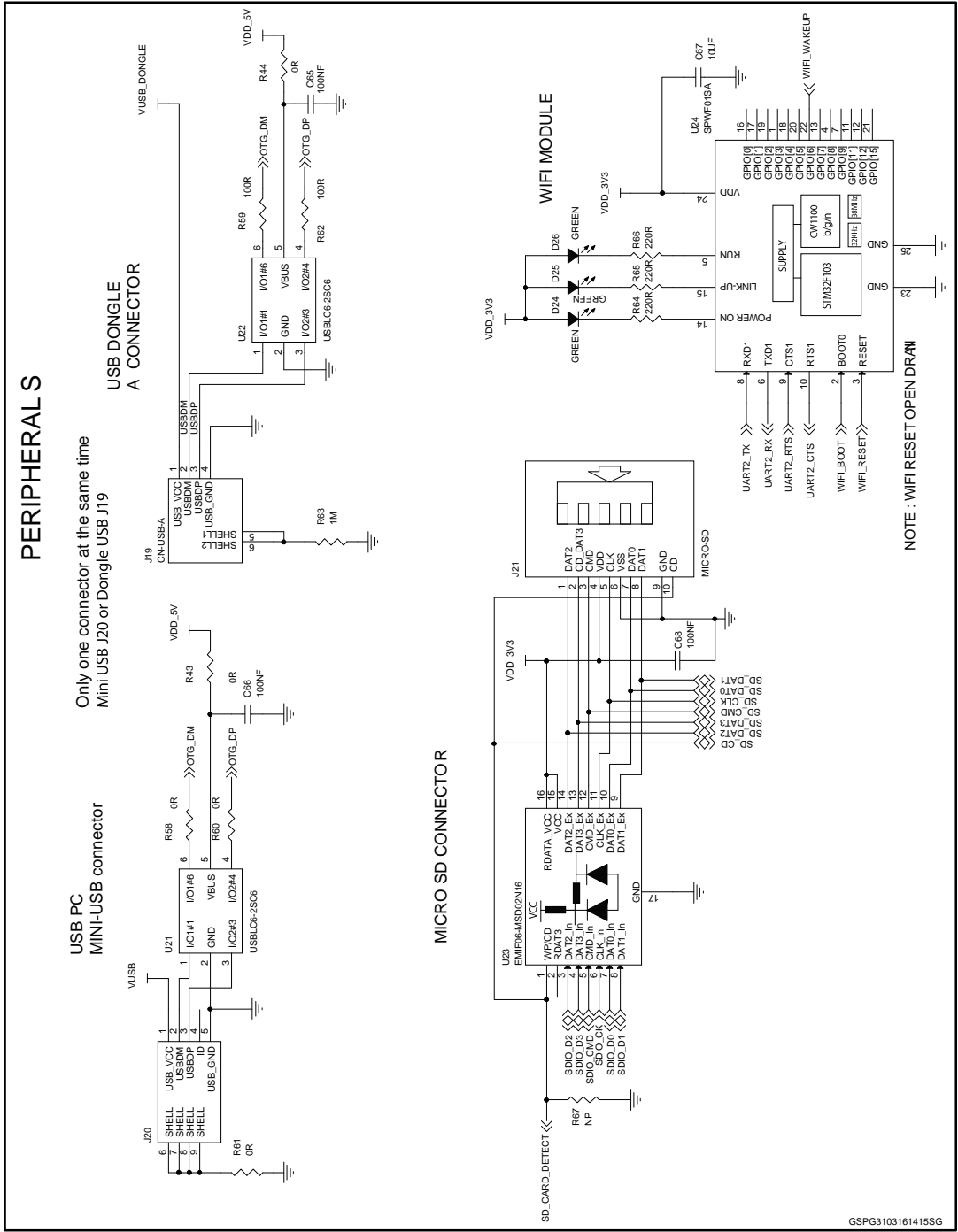


Figure 6: STEVAL-3DP001V1 circuit schematic: Microcontroller

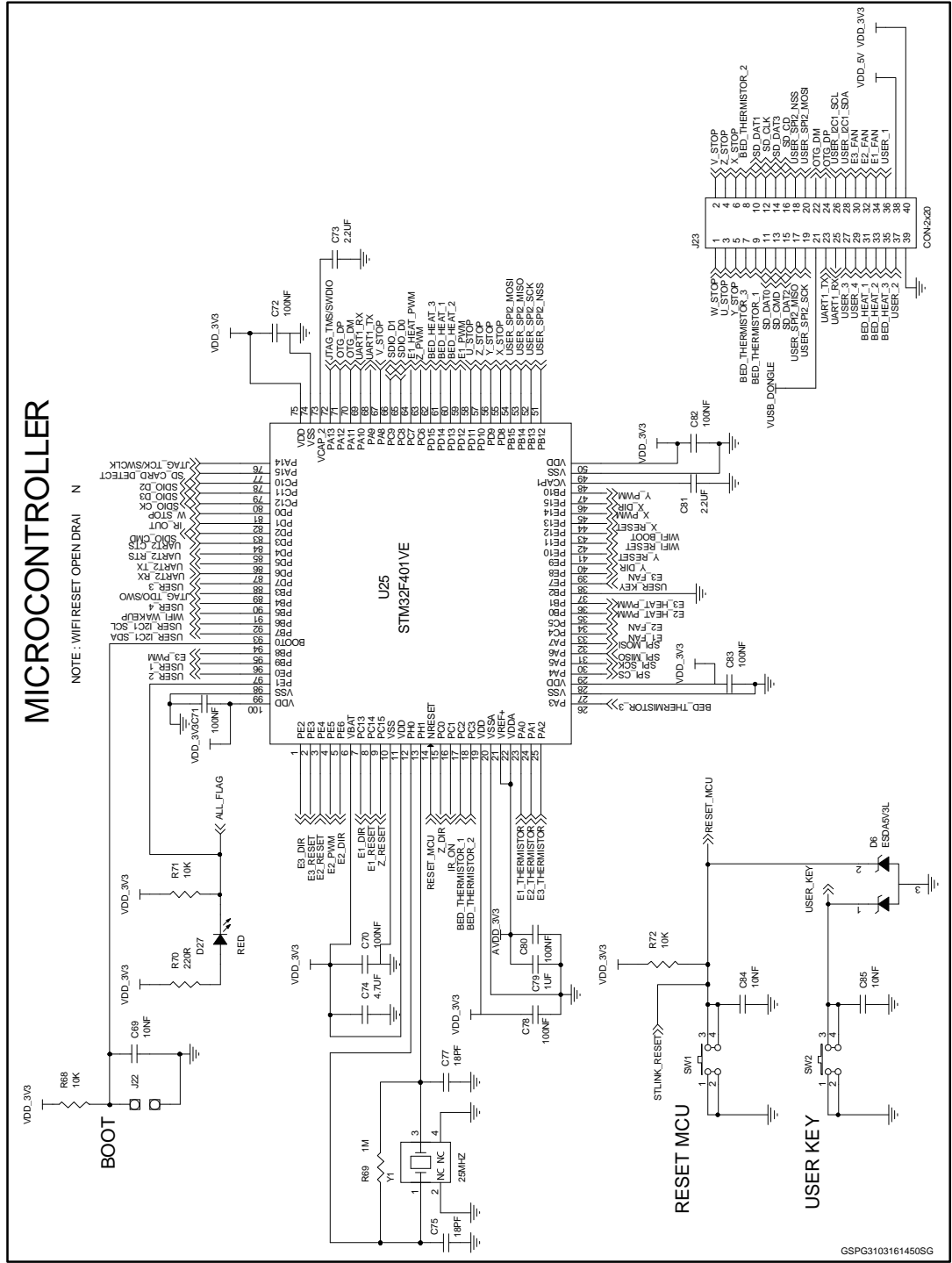
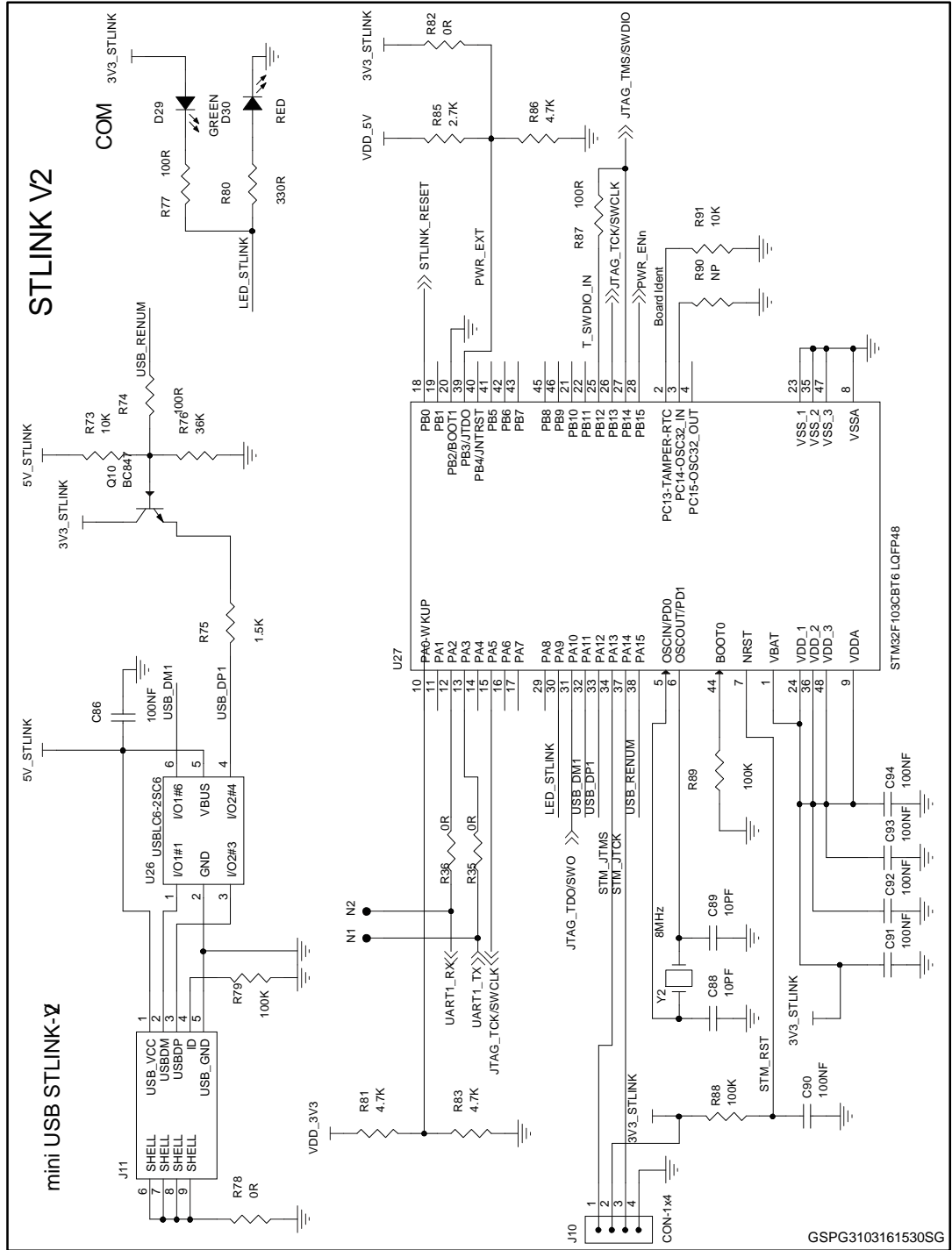


Figure 7: STEVAL-3DP001V1 circuit schematic: STLINK V2



GSPG3103161530SG