

Schematics diagram

STEVAL-OET003V1

Figure 1: Schematics power section

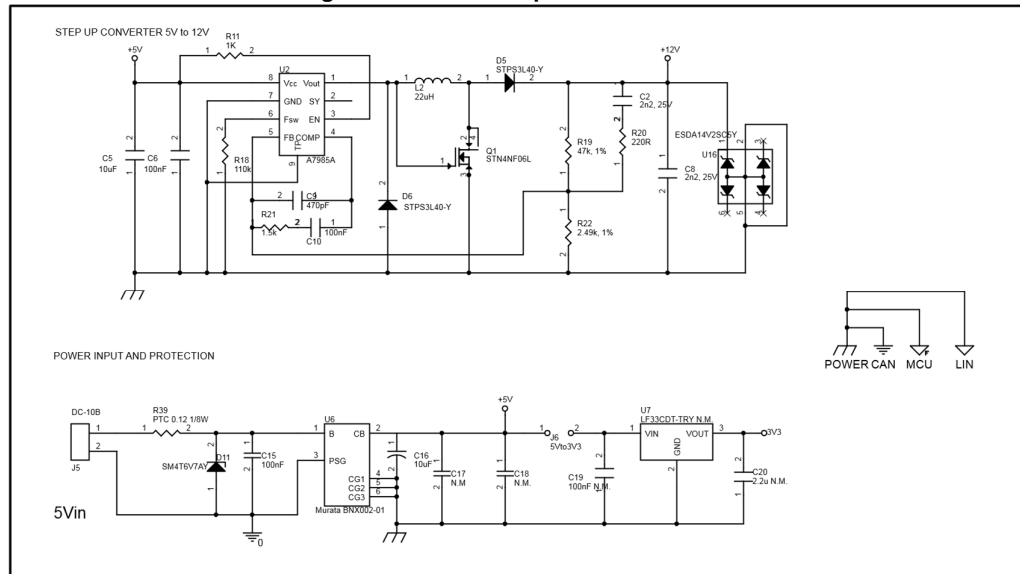


Figure 2: Schematics LIN section

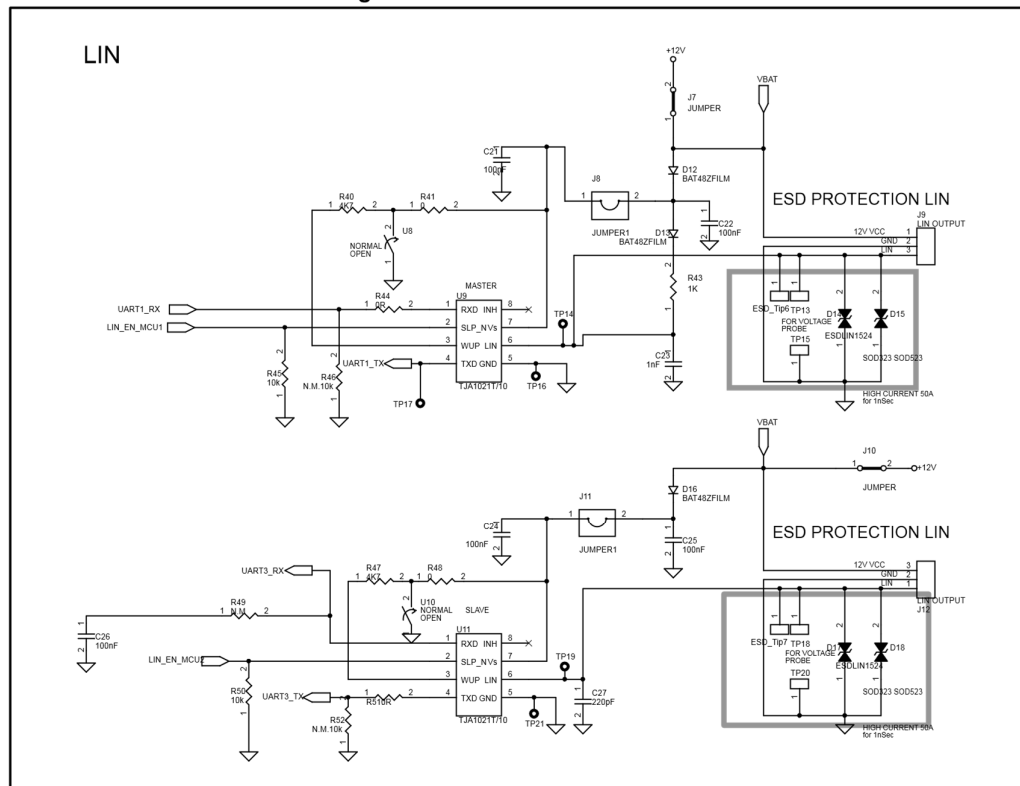


Figure 3: Schematics CAN section

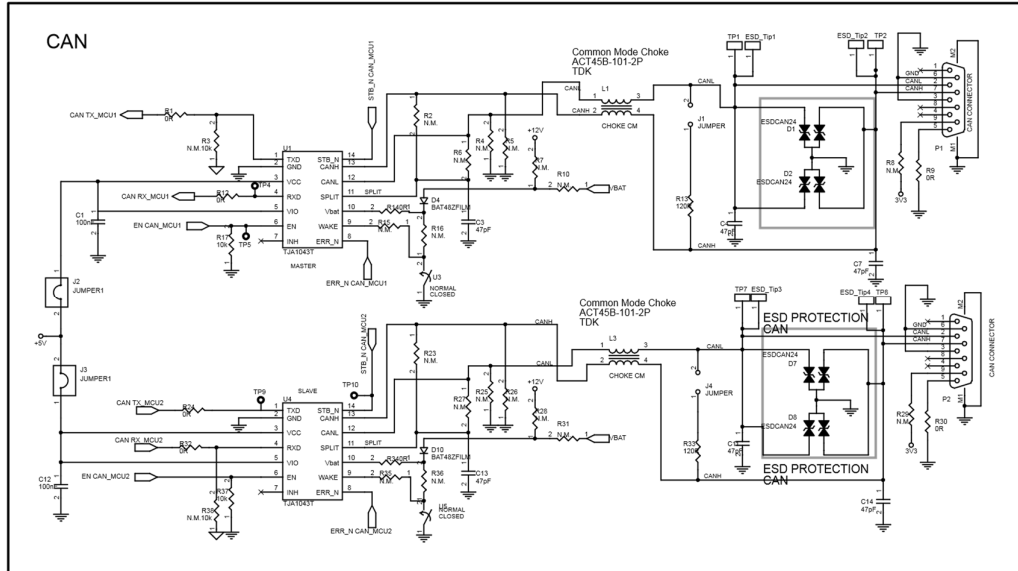


Figure 4: Schematics master node

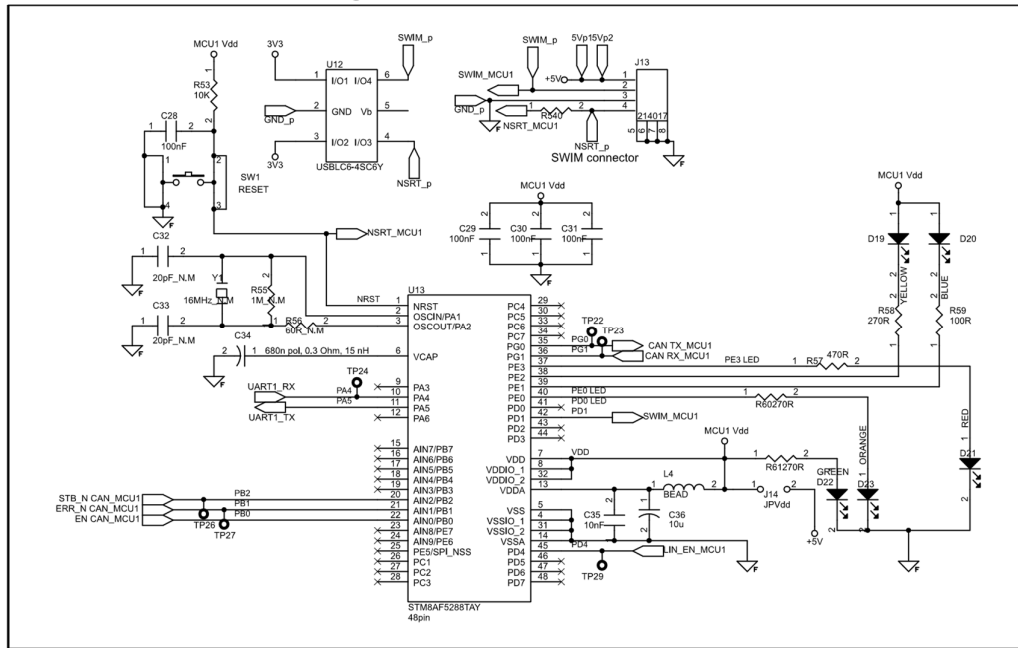


Figure 5: Schematics slave node

