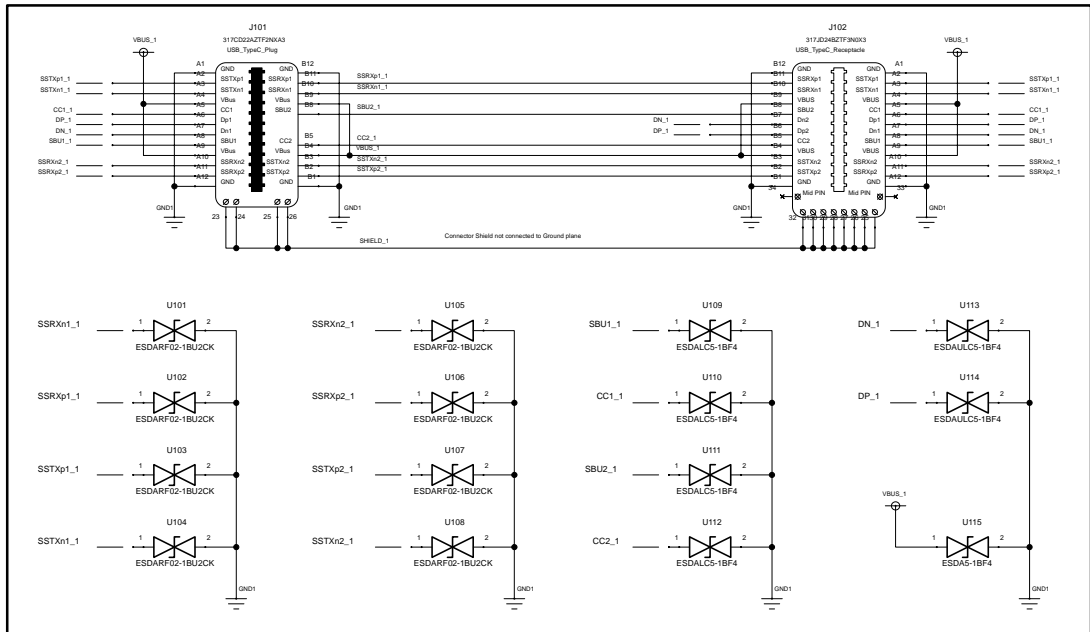
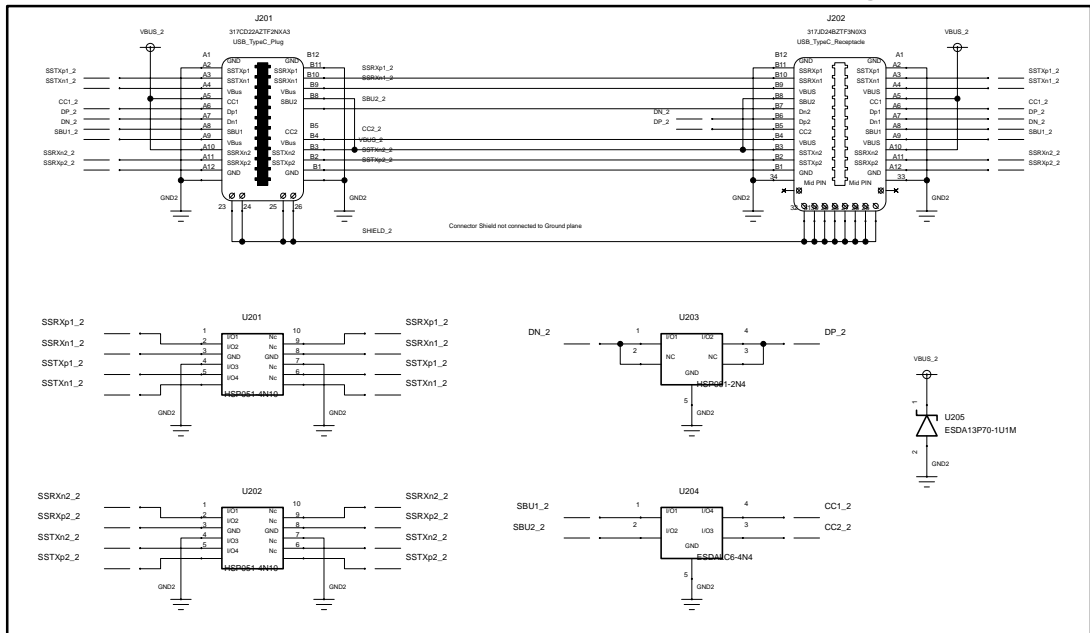


STEVAL-OET004V1 schematics

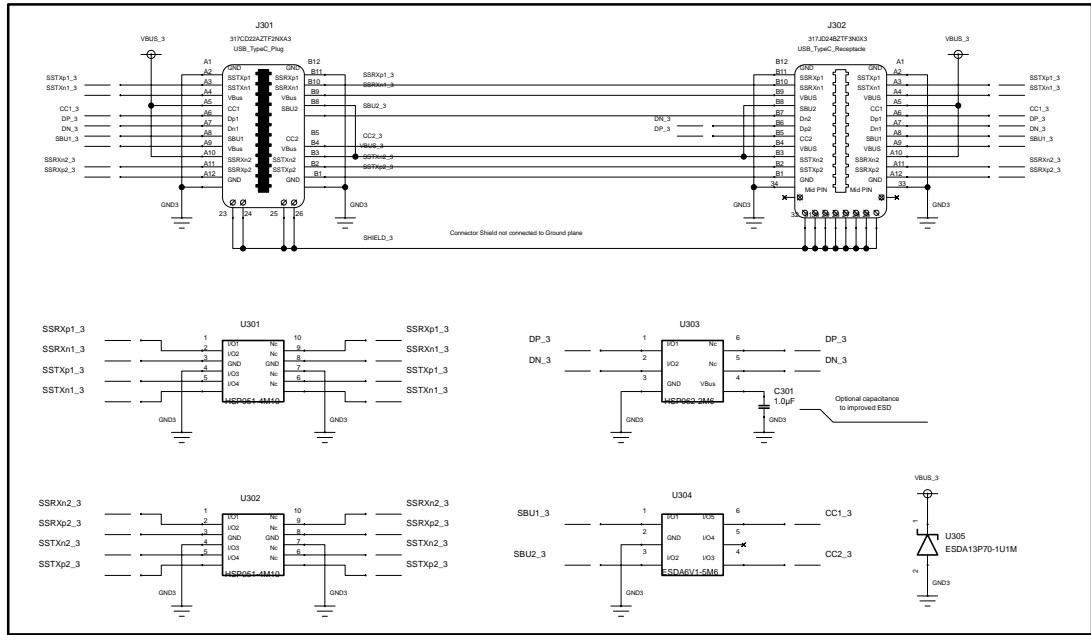
STEVAL-OET004V1A protection solution with 0201 packages



STEVAL-OET004V1B protection solution with 400 μm packages



STEVAL-OET004V1C protection solution with 500 μm packages



STEVAL-OET004V1D protection and filtering solution with 500 μm and 0201 packages

