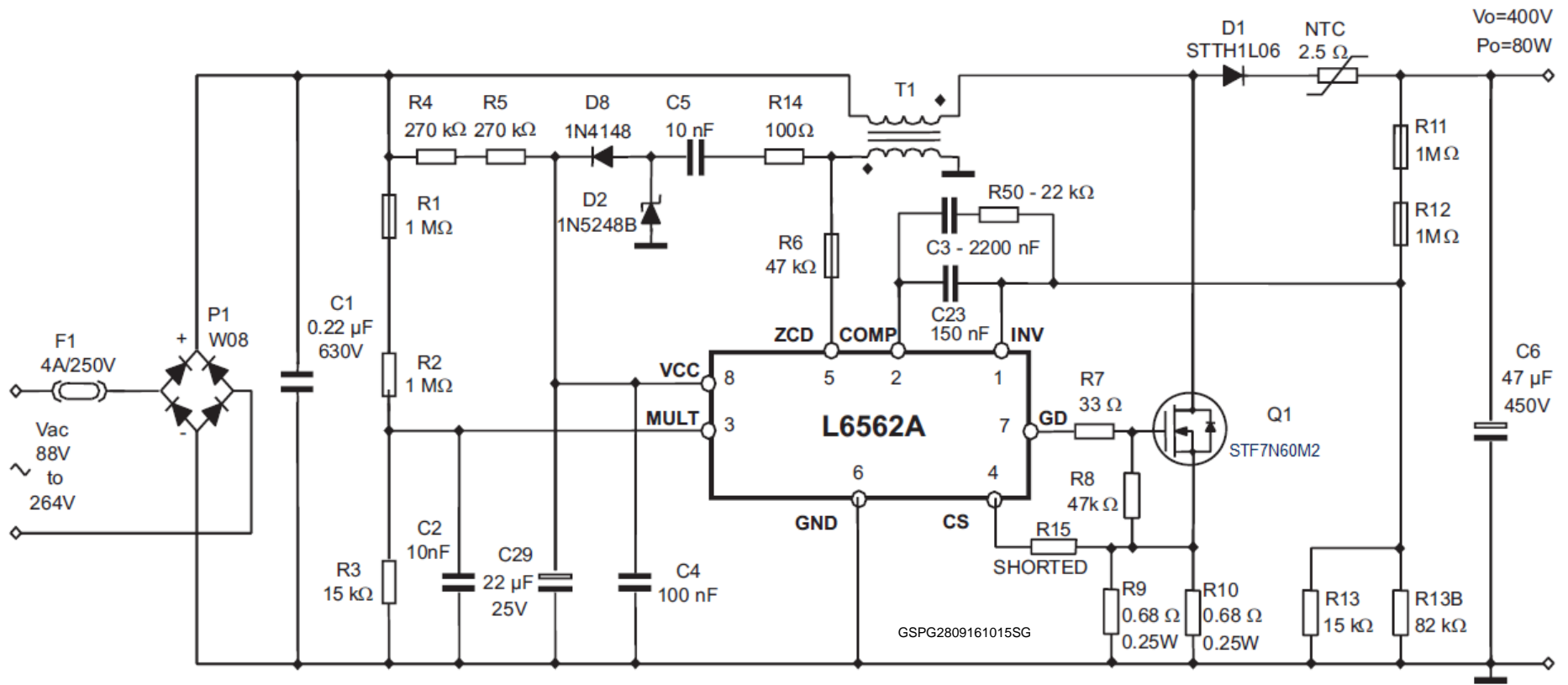


STEVAL-ISA102V2 Schematic diagram



Boost Inductor Spec (ITACOIL E2543/E)
 E25x13x7 core, N67 ferrite
 1.5 mm gap for 0.7 mH primary inductance
 Primary: 102 turns 20x0.1 mm
 Secondary: 10 turns 0.1 mm