

A

A

B

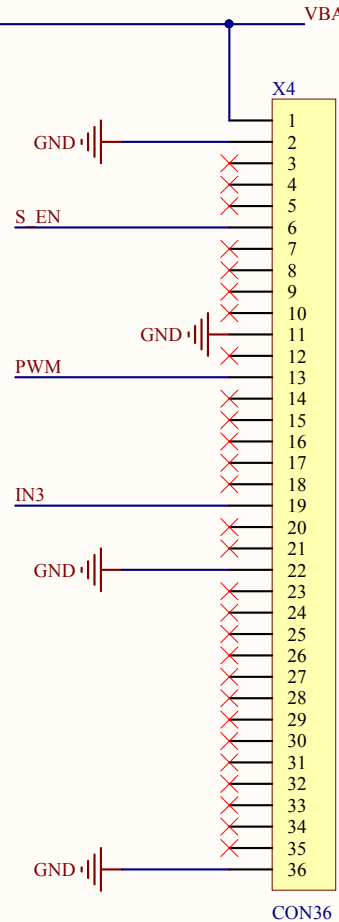
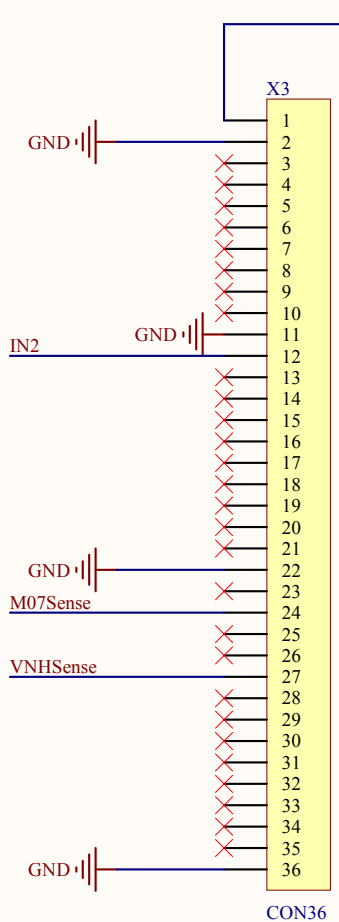
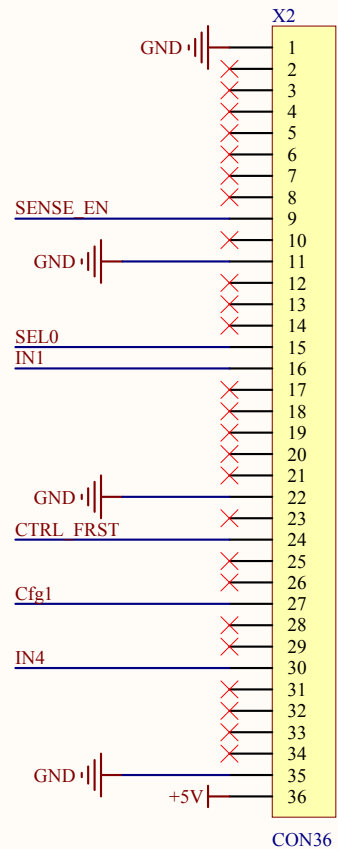
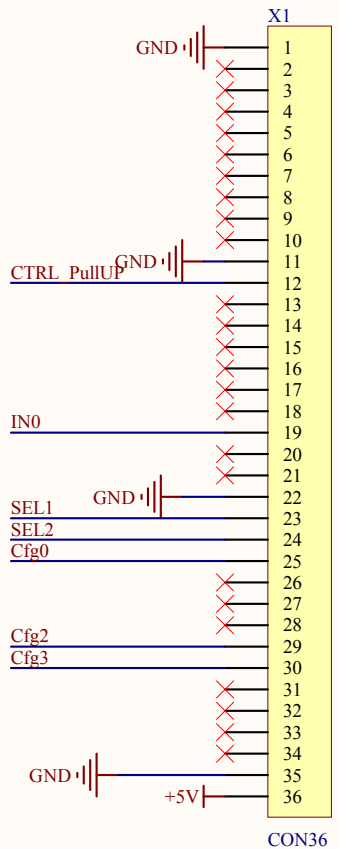
B

C

C

D

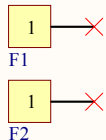
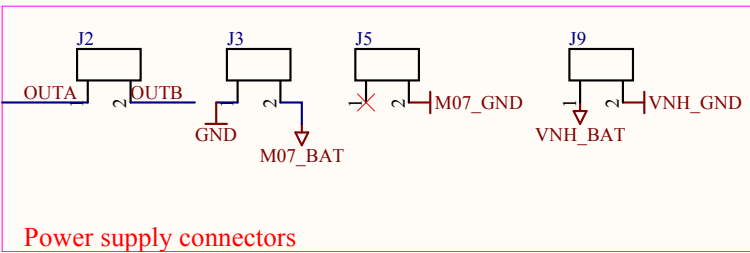
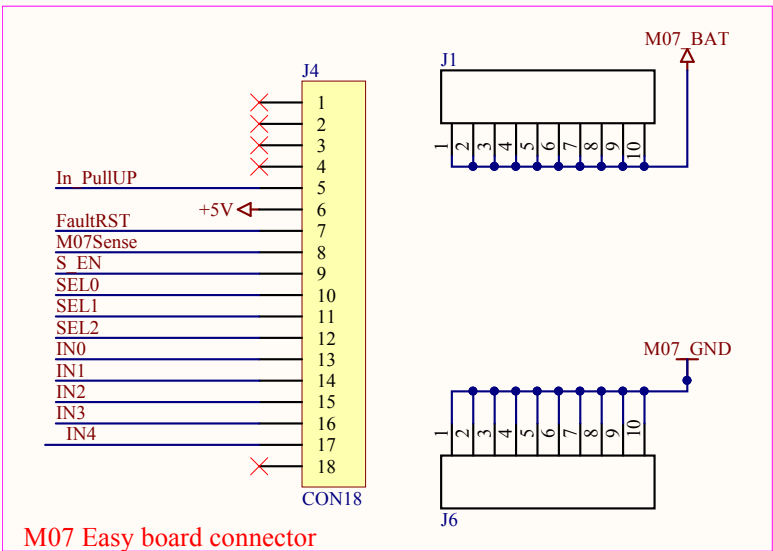
D



Title		
Size	Number	Revision
A		
Date:	6/11/2015	Sheet of
File:	C:\AST MICROELECTRONICS 2015\...Diagrams\Connectors V1.2.SchDoc	

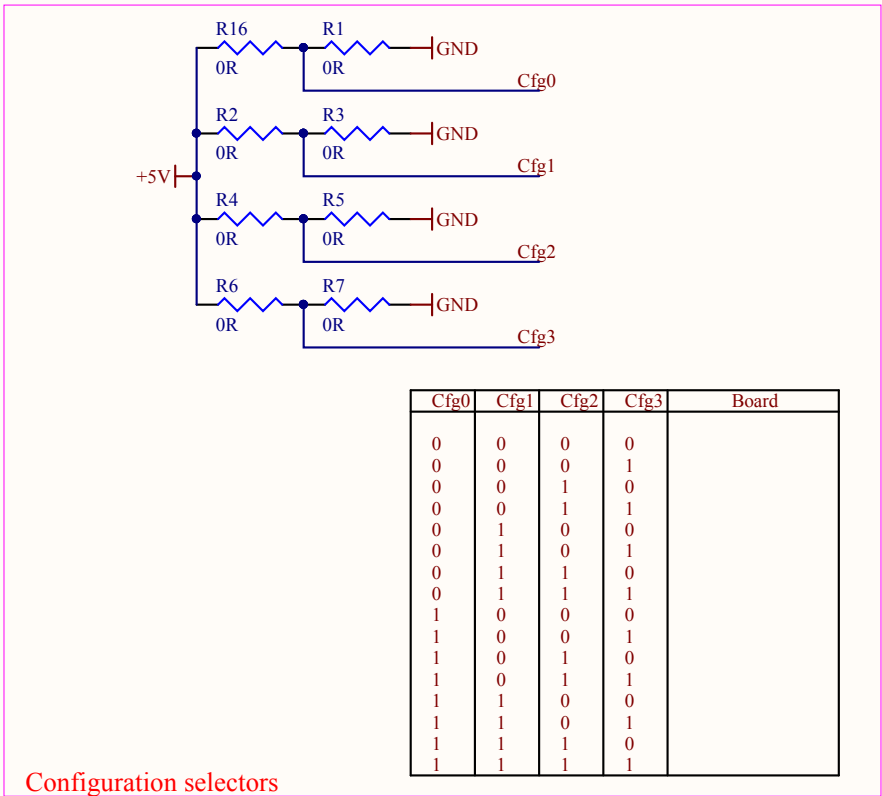
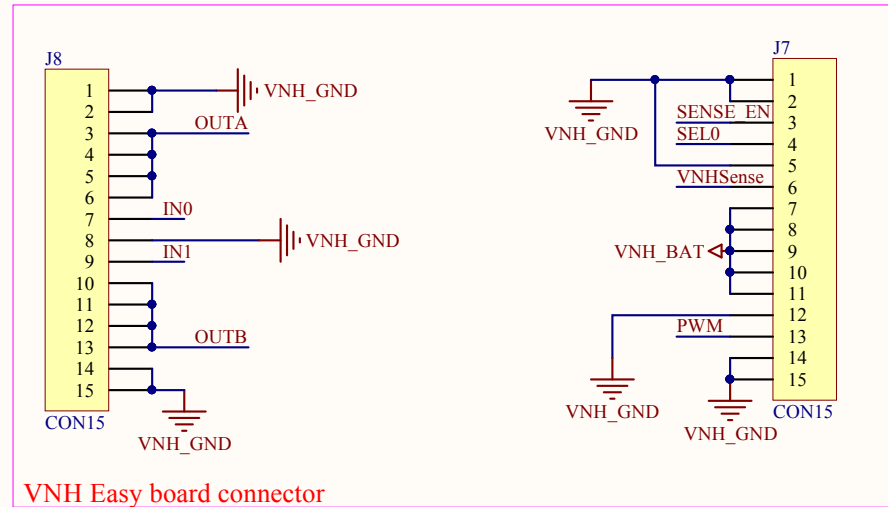
A

A



B

B

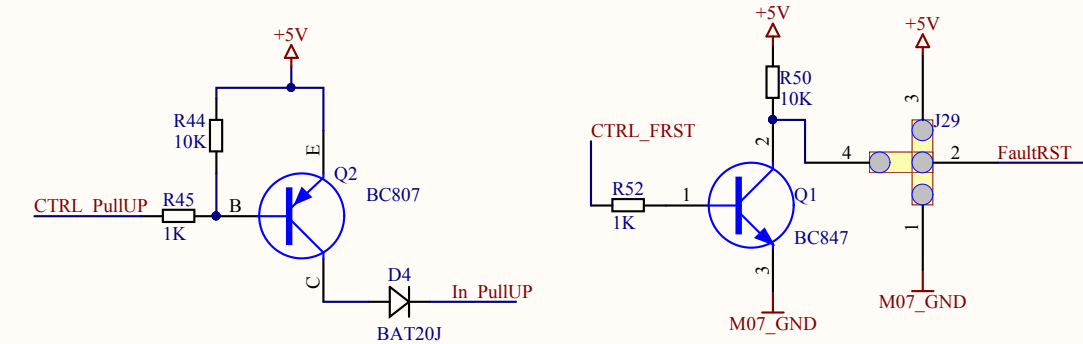


C

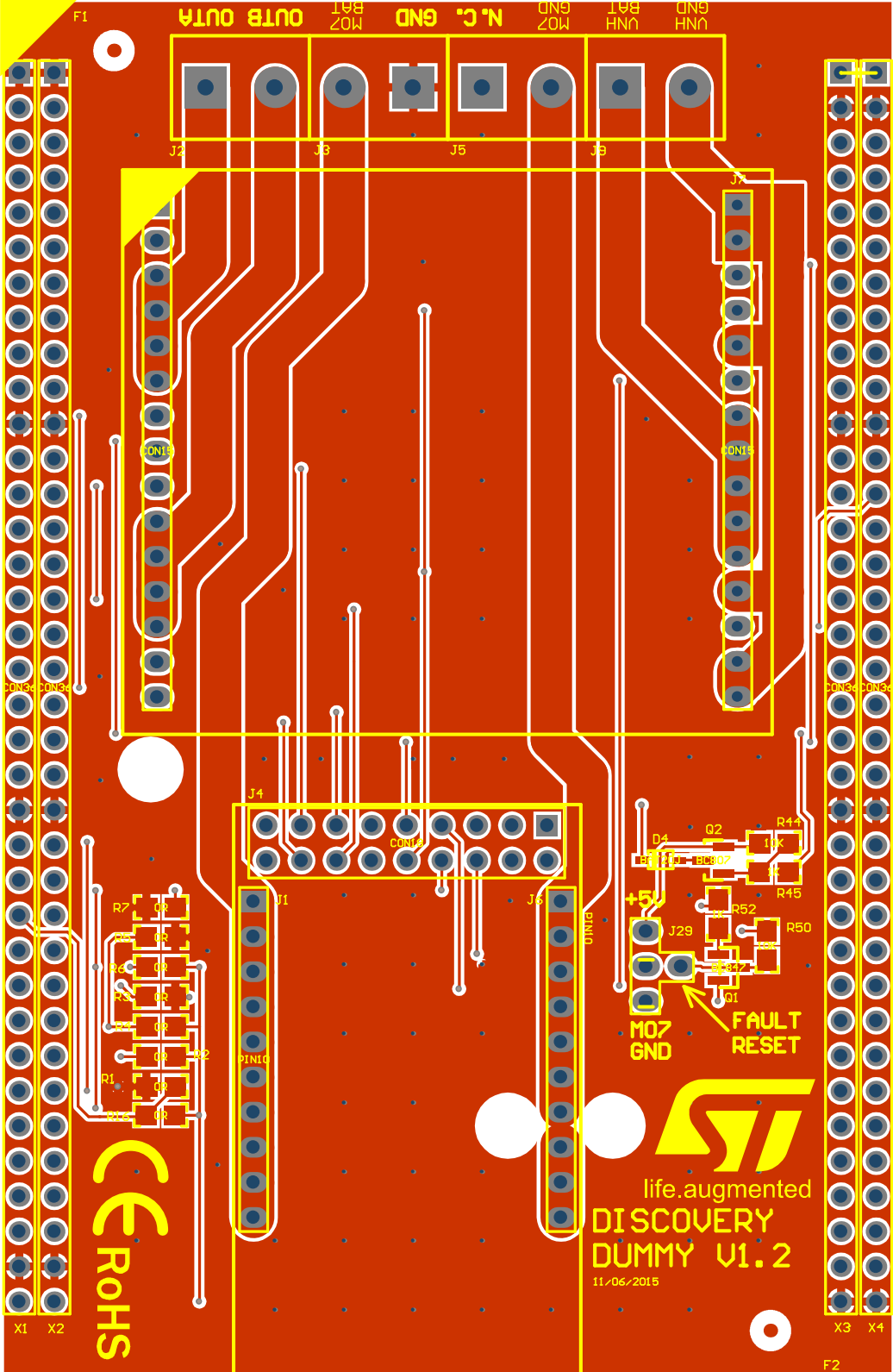
C

D

D



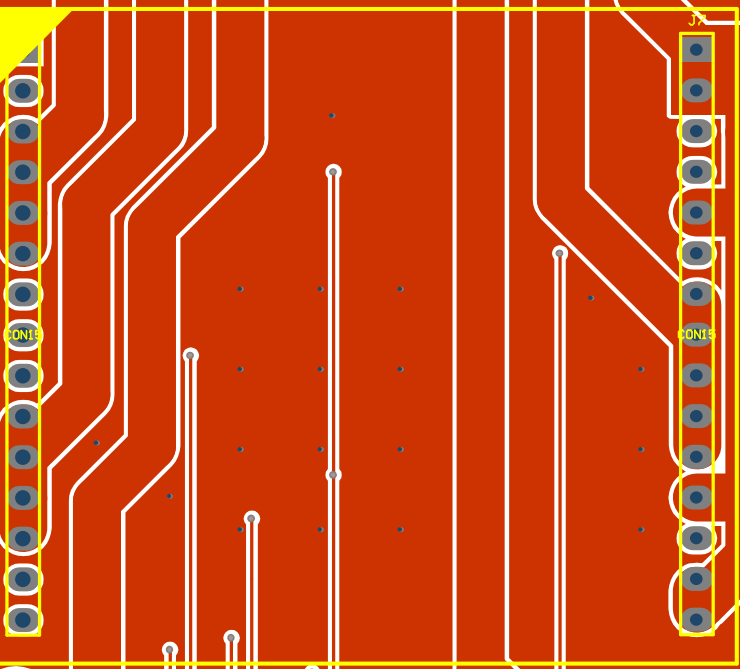
Title		
Size	Number	Revision
A		
Date:	6/11/2015	Sheet of
File:	C:\ST MICROELECTRONICS 2015\...HSD Bridge	connectors V1.2.SchDoc



F1

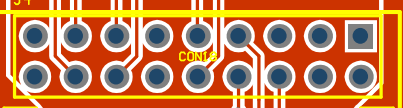
N.C. GND N.C. GND N.C. GND N.C. GND
M07 Z0W M07 Z0W M07 Z0W M07 Z0W
HNA HNA HNA HNA

J2 J3 J5 J6



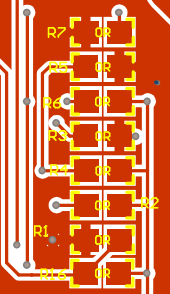
CON2 CON3

CON3 CON4

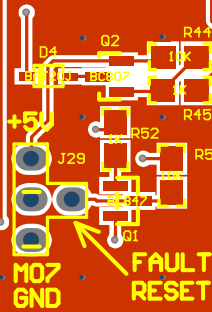


J1

J4



CE ROHS



MO7 GND FAULT RESET



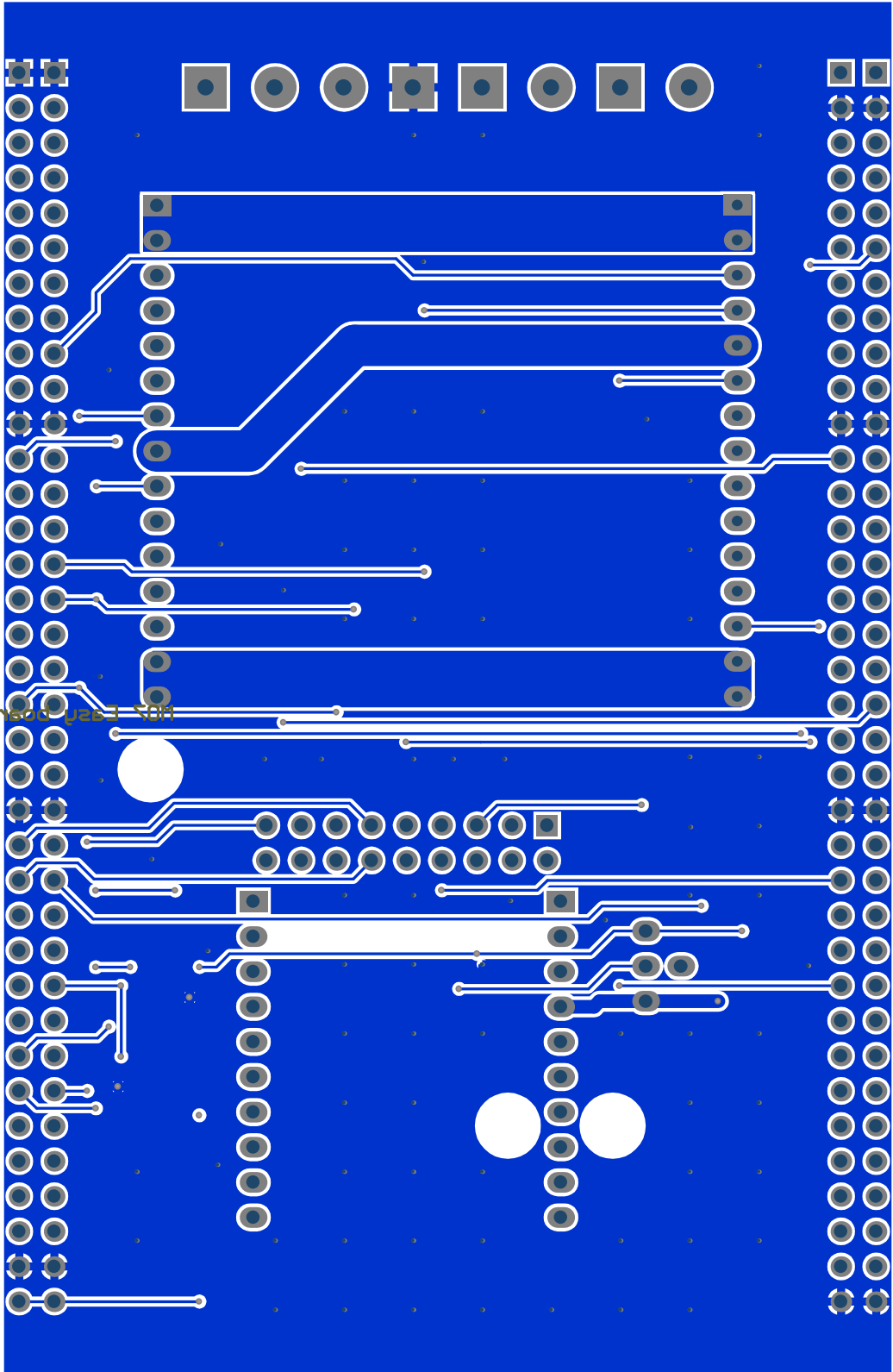
life.augmented
DISCOVERY
DUMMY V1.2

11/06/2015

X1 X2

X3 X4

F2



I brian jcs I 50H