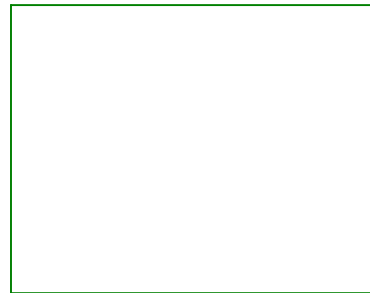


MB1230: 1280 x 720p DSI Rocktech LCD

Schematic	Page
0 - mb1230	1
1 - MB1230 connectors	2
A - comment	3

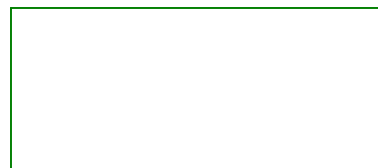


1 - connectors



1 - connectors


A - Comments



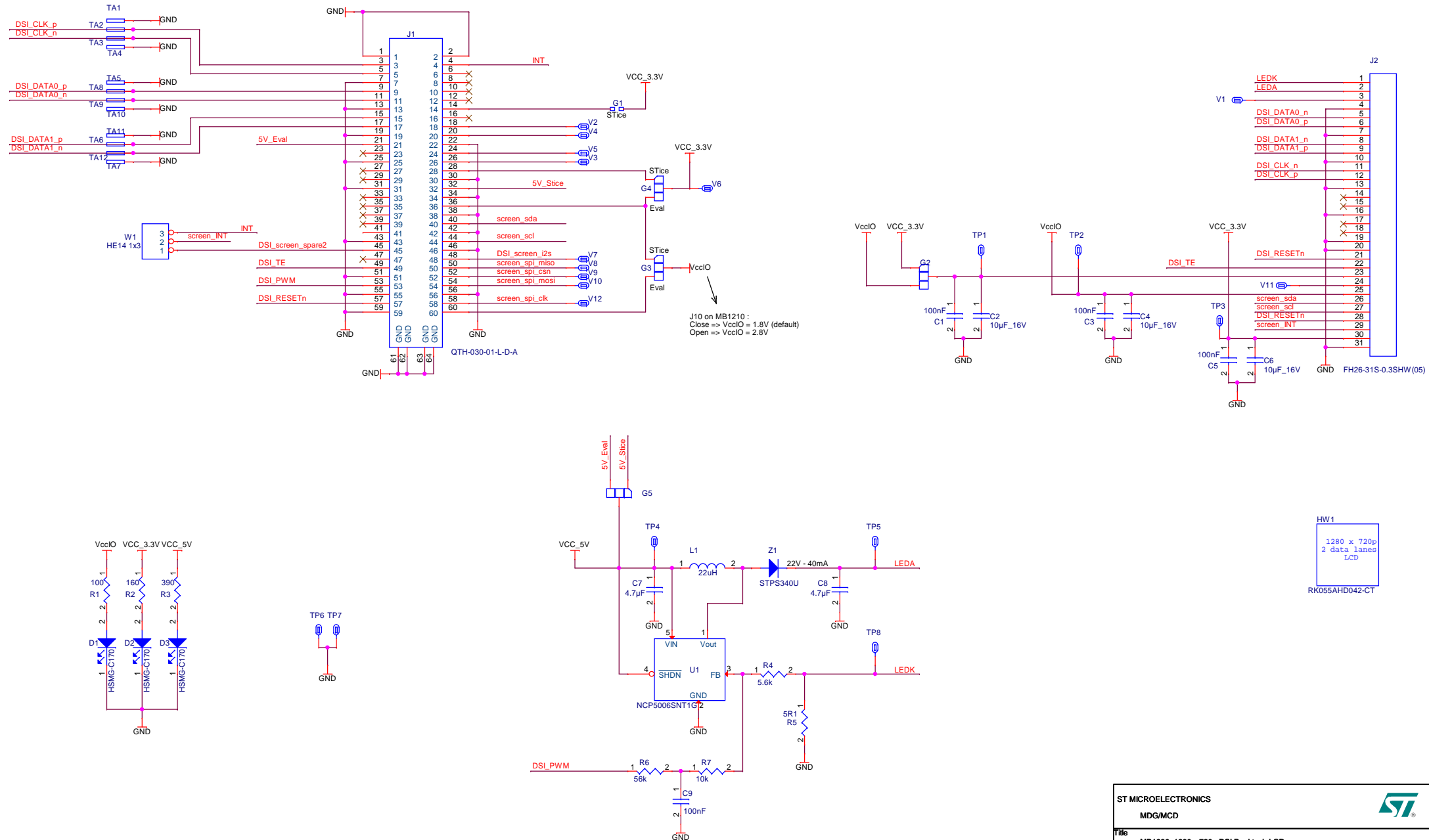
A - Comments

Schematic version: B02

BOM: B02

ST MICROELECTRONICS		
MDG/MCD		
Title MB1230: 1280 x 720p DSI Rocktech LCD		
Size A4	Document Number MB1230: 1280 x 720p DSI Rocktech LCD	Rev C01
Date: Thursday, April 19, 2018	Sheet 1	of 3

Schematic



ST MICROELECTRONICS			
MDG/MCD			
Title			
MB1230: 1280 x 720p DSI Rocktech LCD			
Size	Document Number	Rev	
A3	Connectors	C01	
Date:	Thursday, April 19, 2018	Sheet	2 of 3

ID	SCH version	Comments	Date
1	A01	Initial version	15 April. 2016
	B01	added choice between 5V from Eval board of from Stice (J1-21 or 32)	08 July 2016
	B02	R6 changed to 56K for better LCD backlight control	06 April 2018
	C01	Changed solder resist (varnish) to blue color	18 April 2018