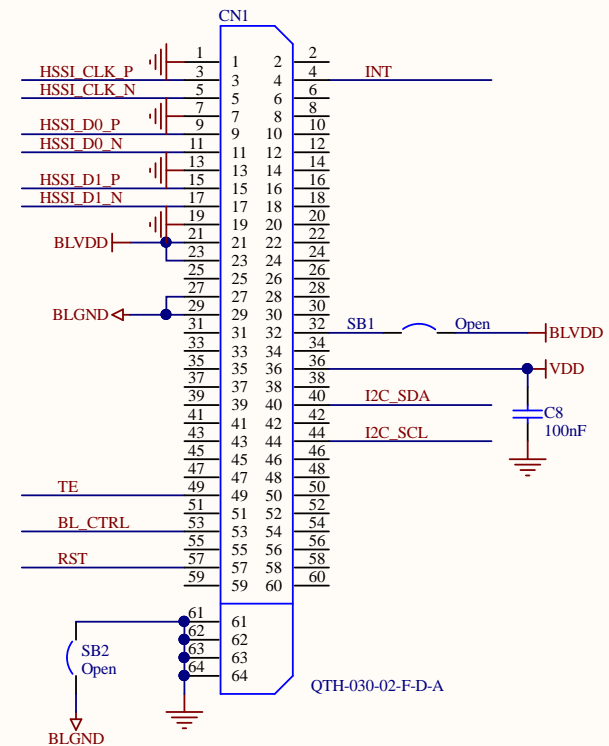
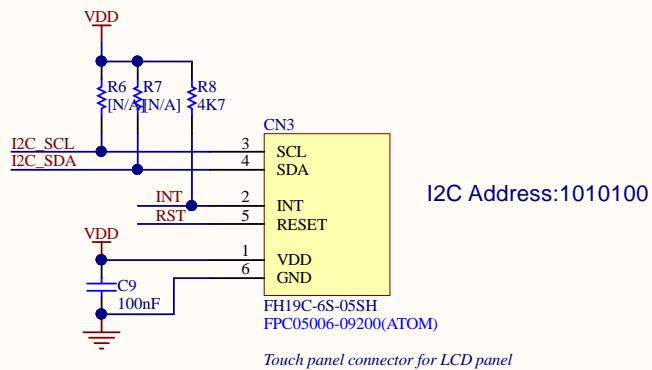


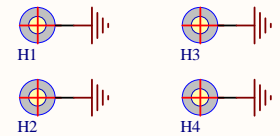
Backlight driver & PFC connector for LCD panel



Connector for motherboard



Touch panel connector for LCD panel



Note: Text in italic placed on a wire doesn't correspond to net name. It just helps to identify rapidly MCU IO related to this wire.

Title: 4 inch DSI LCD board		
Project: LCD daughterboard		
Size: A4	Reference: MB1166	Revision: A.8
Date: 3/5/2019		Sheet: 1 of 1

