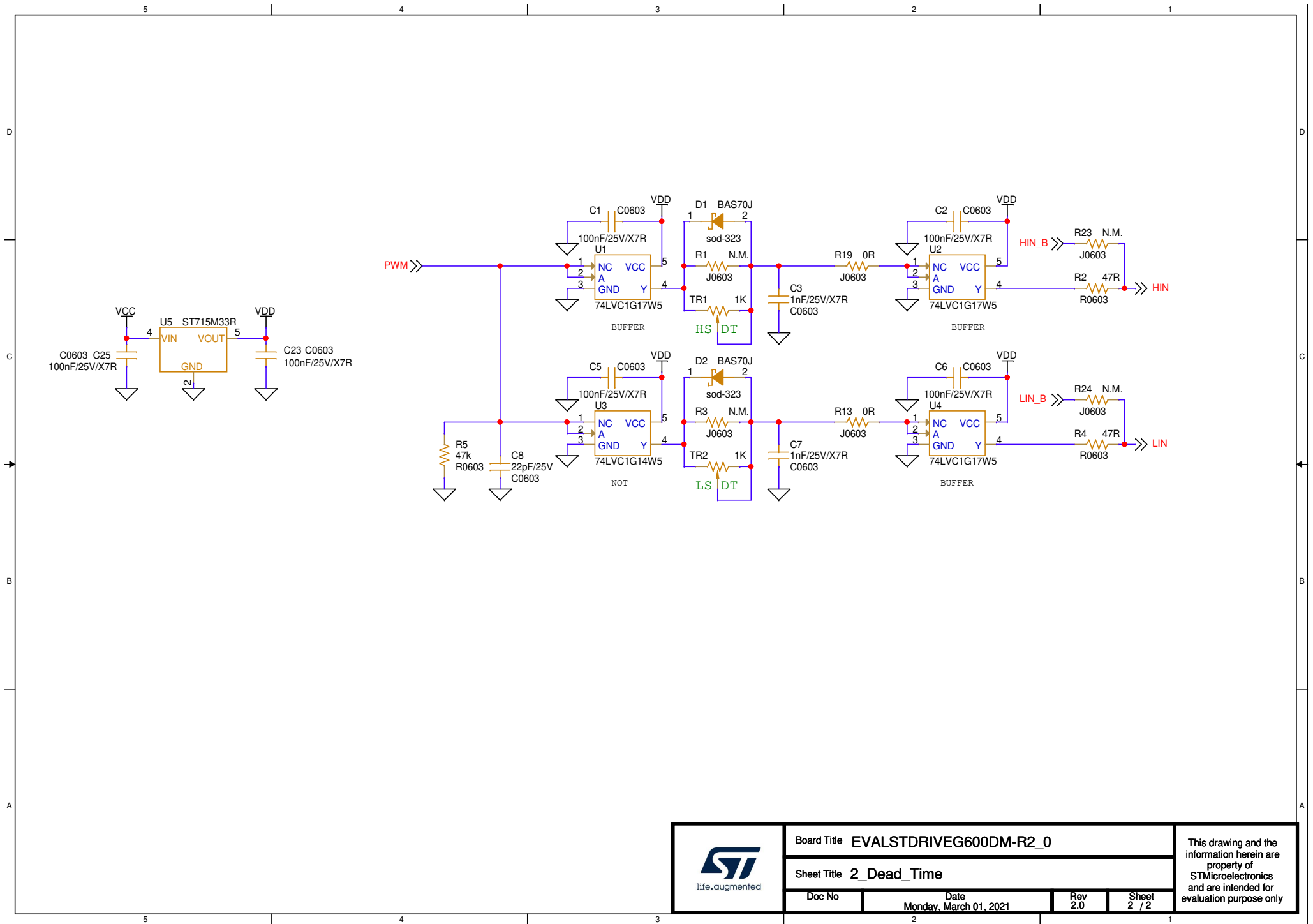

 life.augmented	Board Title EVALSTDRIVEG600DM-R2_0			This drawing and the information herein are property of STMicroelectronics and are intended for evaluation purpose only
	Sheet Title 1_STDRIVEG600-MOS			
Doc No	Date Monday, March 01, 2021	Rev 2.0	Sheet 1 / 2	



 life.augmented	Board Title EVALSTDRIVEG600DM-R2_0			This drawing and the information herein are property of STMicroelectronics and are intended for evaluation purpose only
	Sheet Title 2_Dead_Time			
Doc No	Date Monday, March 01, 2021	Rev 2.0	Sheet 2 / 2	