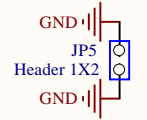


FTDI

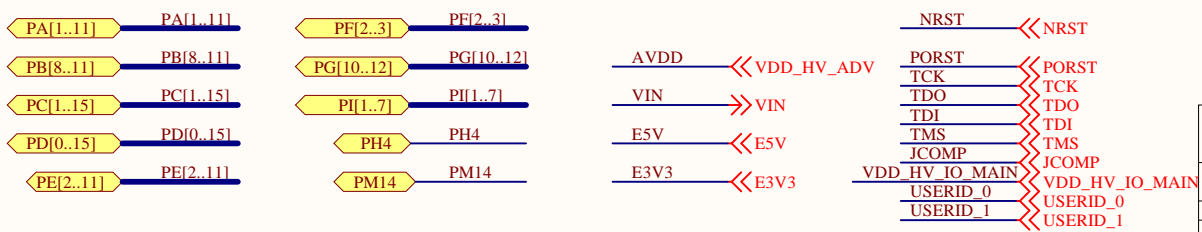
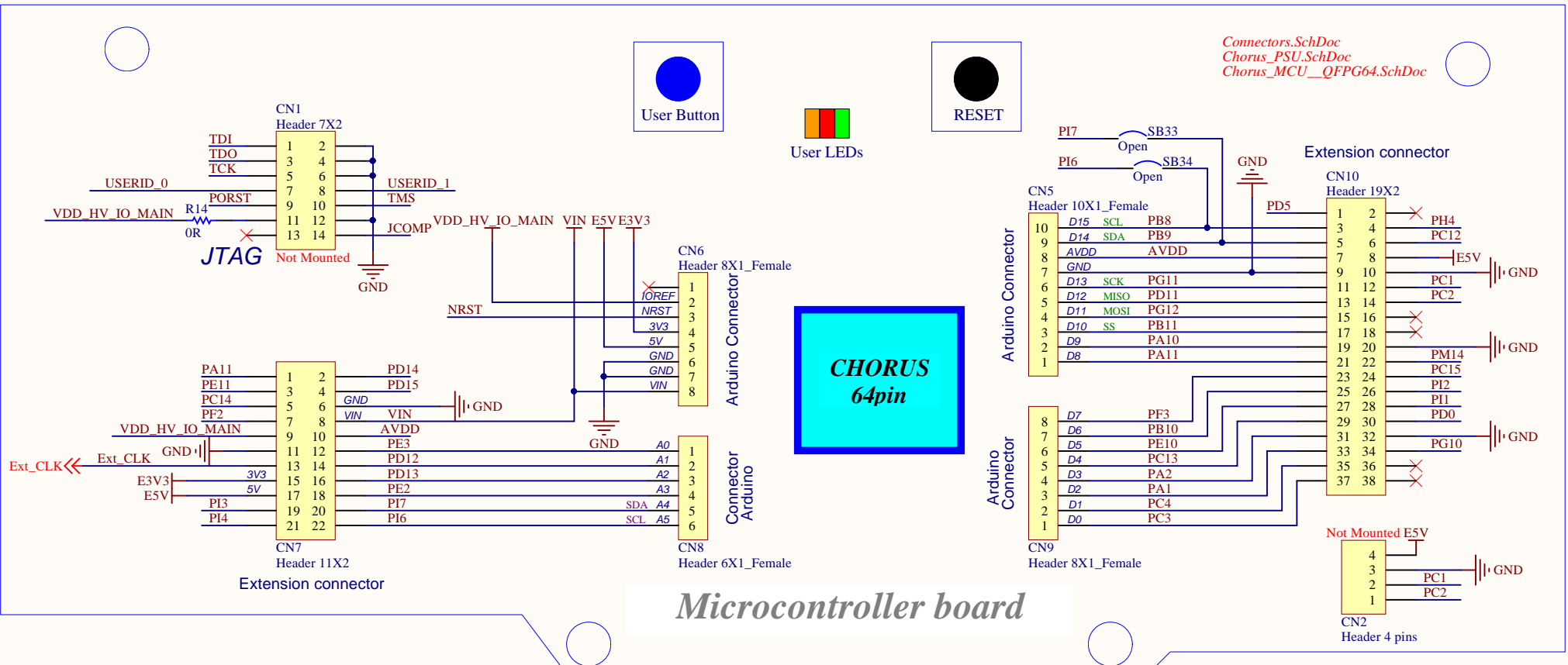
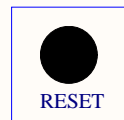
USB



Programmer - Debugger board

USB section (PLS)_B.SchDoc

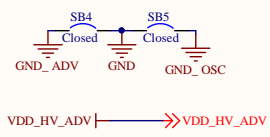
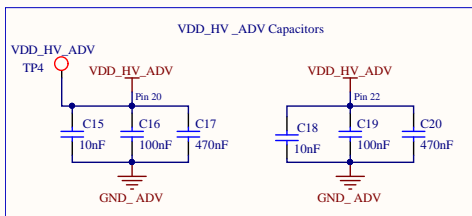
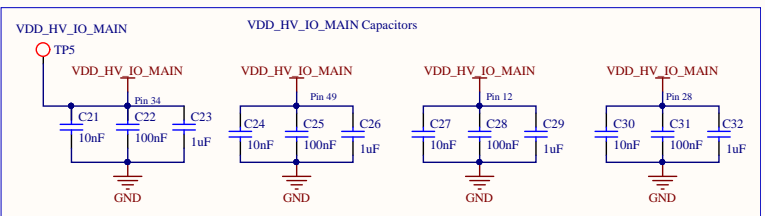
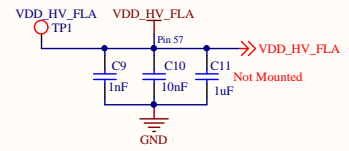
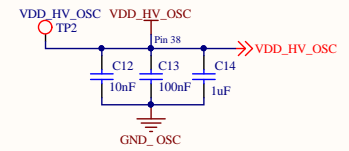
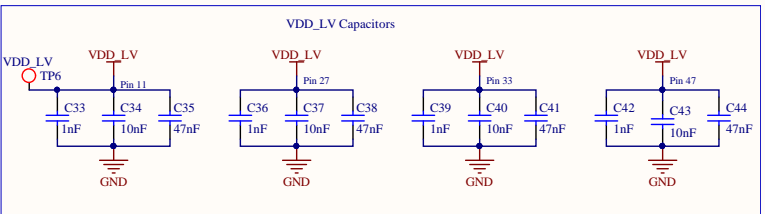
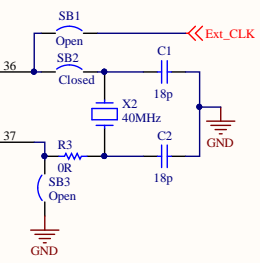
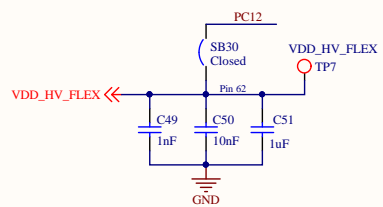
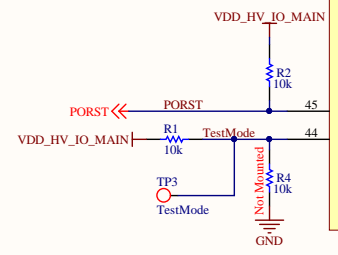
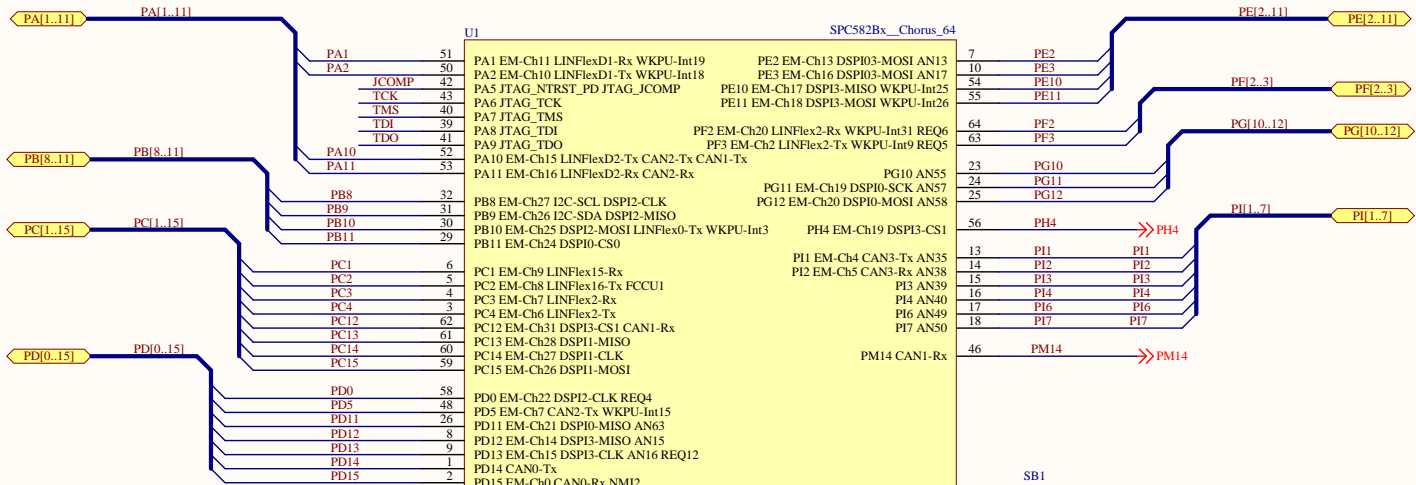
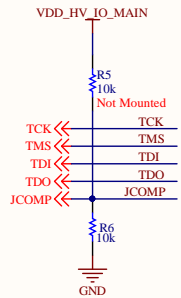
Connectors.SchDoc
Chorus_PSU.SchDoc
Chorus_MCU__QFP64.SchDoc



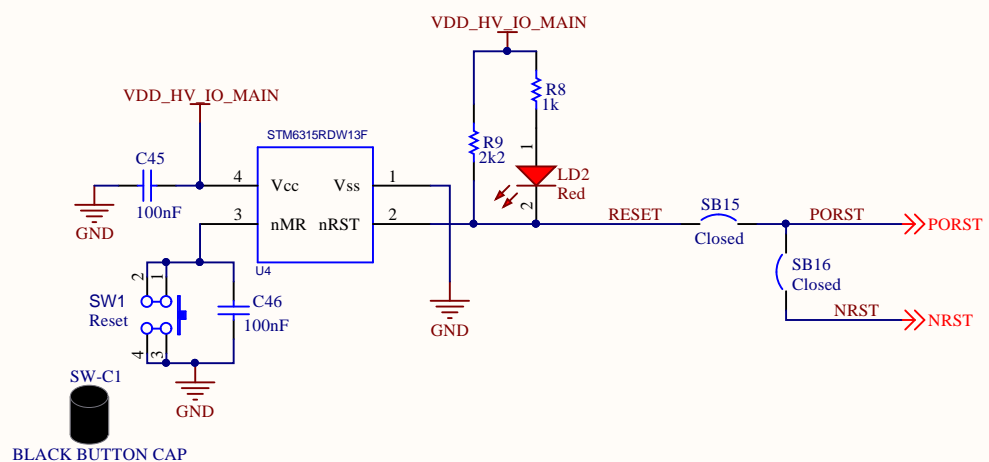
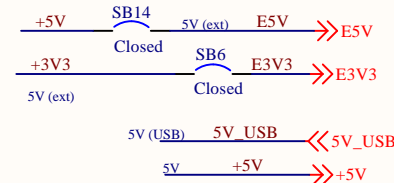
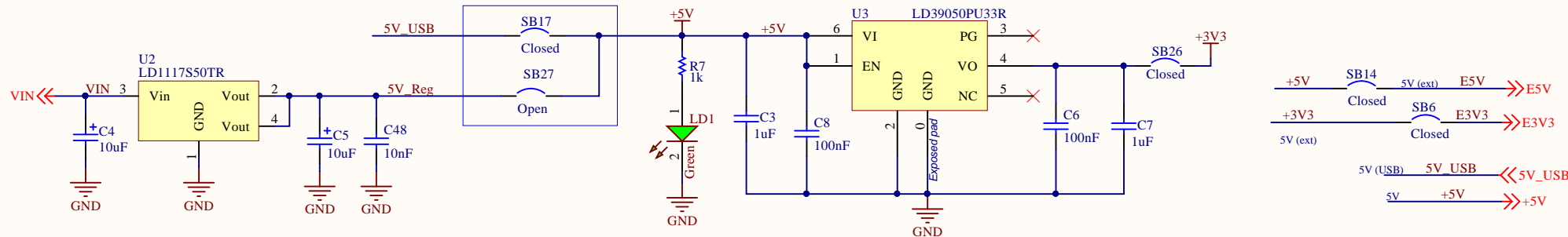
Title SPC584B-DIS: Connectors		
Size: A4	Number: 1	Revision: 1.10
Date: 07/06/2018	Time: 14:45:15	Sheet 1 of 4
File: SPC584B-DIS Connectors.SchDoc		

STMicroelectronics srl
ADG - Automotive and Discrete Group
Via C. Olivetti, 2
20864 Agrate B.za (MB)
Italy

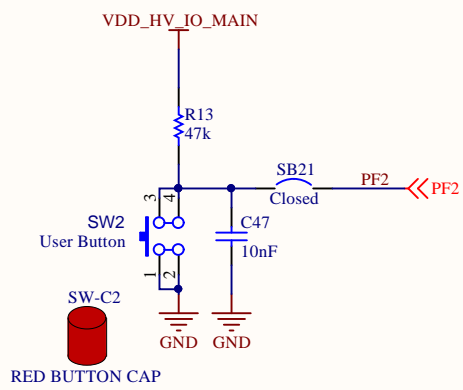
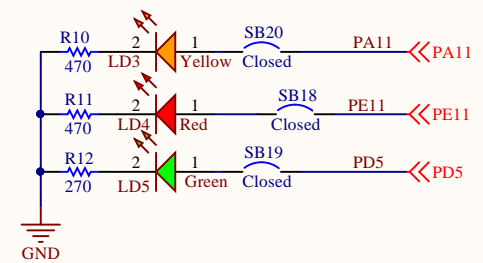
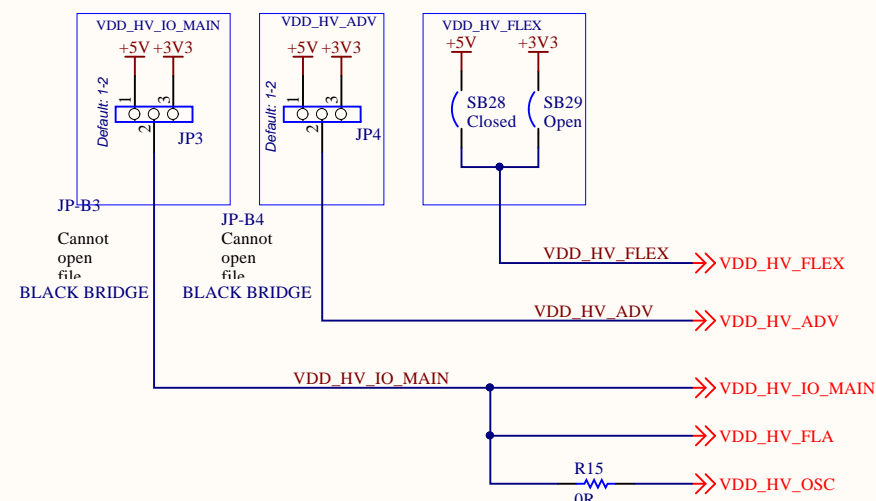





Title SPC584B-DIS: Microcontroller			STMicroelectronics srl	 life.augmented
Size: A3	Number: 2	Revision: 1.10	ADG - Automotive and Discrete Group	
Date: 07/06/2018	Time: 14:45:15	Sheet 2 of 4	Via C. Olivetti, 2	
File: SPC584B-DIS_Chorus_MCU_QFP64.SchDoc			20864 Agrate B.za (MB)	
			Italy	



BLACK BUTTON CAP



RED BUTTON CAP

Title SPC584B-DIS: PSU			STMicroelectronics srl ADG - Automotive and Discrete Group Via C. Olivetti, 2 20864 Agrate B.za (MB) Italy		 life.augmented
Size: A4	Number: 3	Revision: 1.10			
Date: 07/06/2018	Time: 14:45:15	Sheet 3 of 4			
File: SPC584B-DIS Chorus PSU.SchDoc					

