

1

2

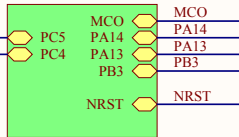
3

4

ST_LINK_V2.SCHDOC
U_ST_LINK

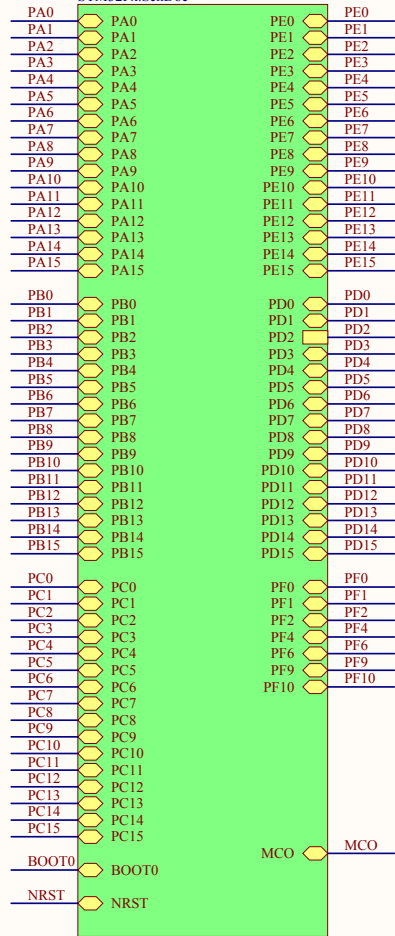
STM32F3_USART1_RX
STM32F3_USART1_TX

PC5
PC4

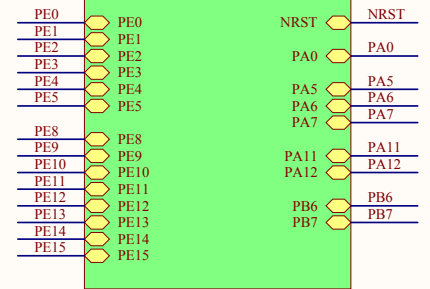


TCK/SWCLK
TMS/SWDIO
T_SWO
T_NRST

U_STM32F3x
STM32F3x.SchDoc



U_IO Peripherals
IO Peripherals.SchDoc



A

A

B

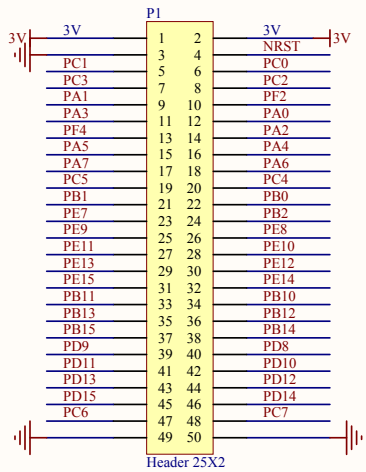
B

C

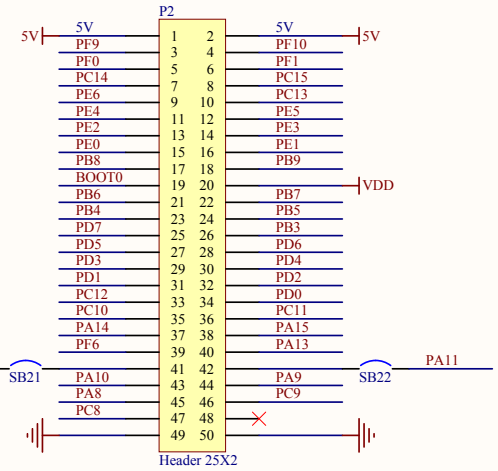
C

D

D



Header 25X2



Header 25X2

Rev A.0 -> First Version
 Rev B.0 -> PCB B-00, added 2 SB to isolate USB USER
 Rev B.1 -> PCB B-00, reverse LEDs Colors Red/Blue on sheet 4, only a picture modification
 Rev C.1 -> PCB label MB1035 C-01, mbed-enabled, SB13 and SB15 closed,
 STM32F103C8T6 replaced by STM32F103CBT6, ST-LINK/V2-B

STMicroelectronics

Title: **STM32F303C-DISC1**

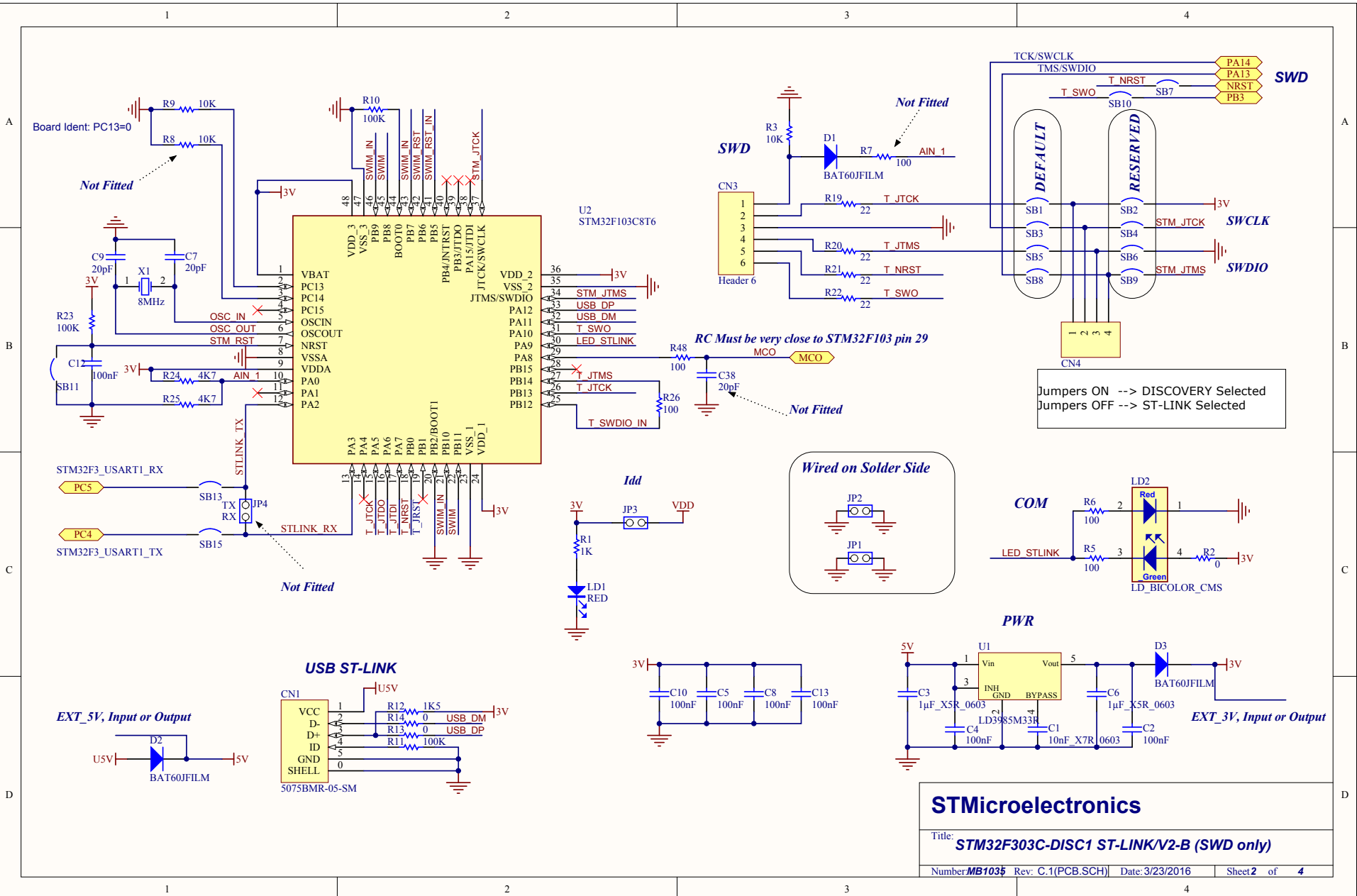
Number **MB1035** Rev: C.1(PCB.SCH) Date: 3/23/2016 Sheet **1** of **4**

1

2

3

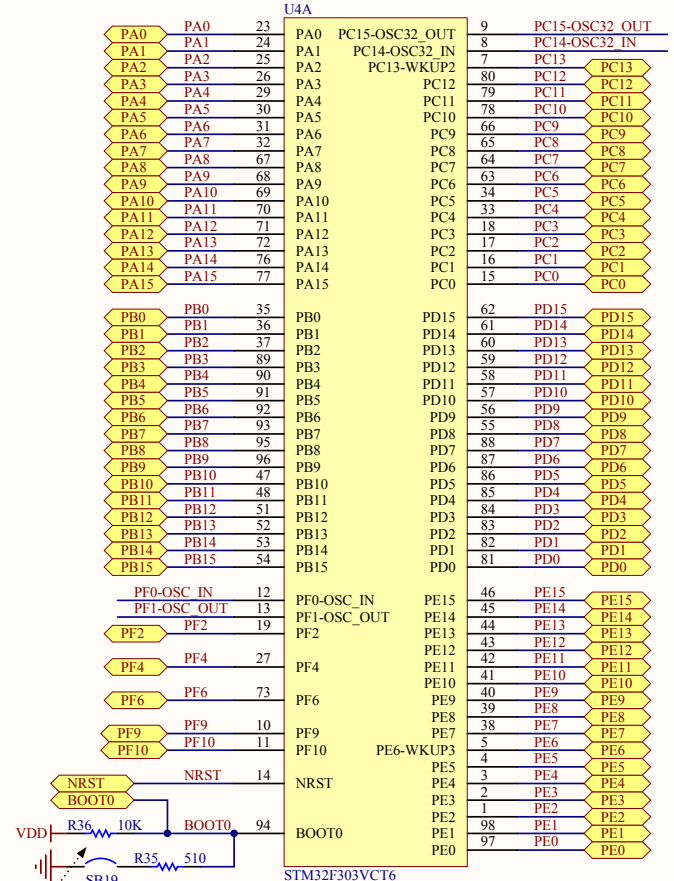
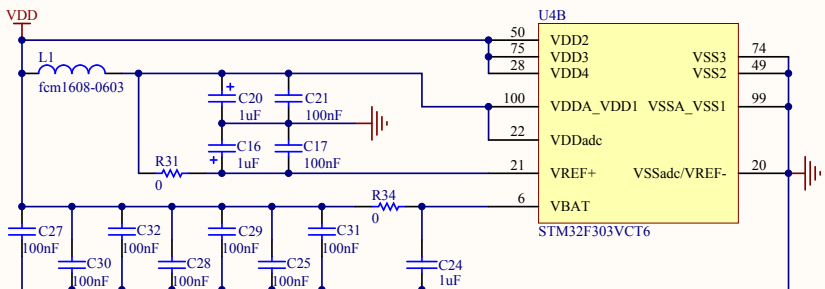
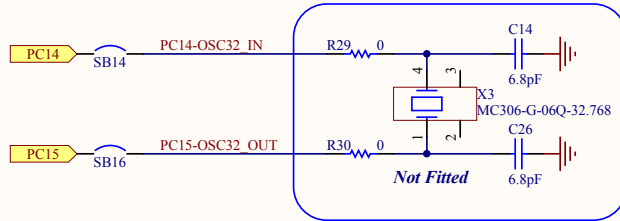
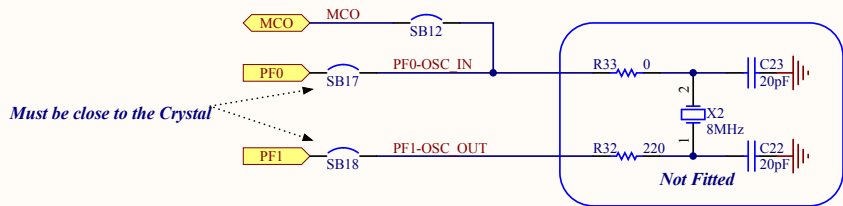
4



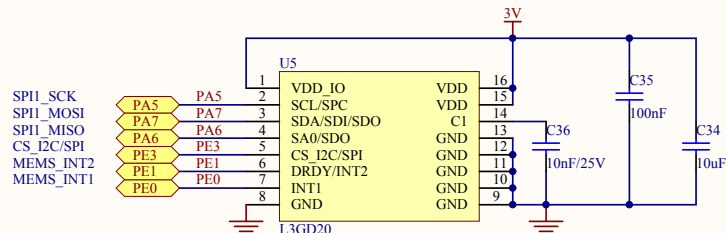
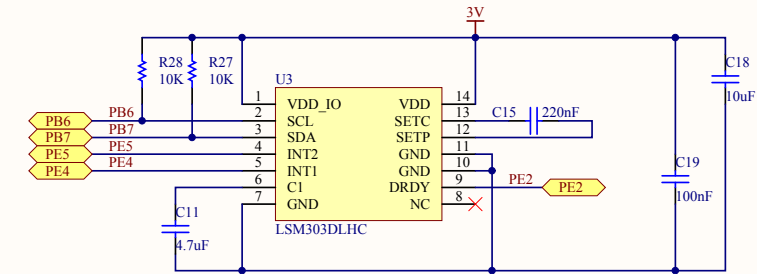
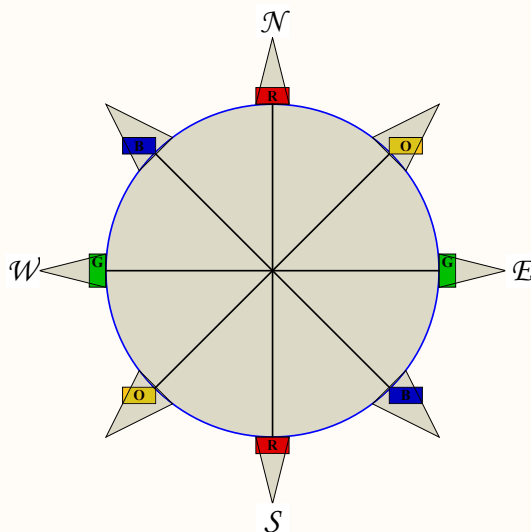
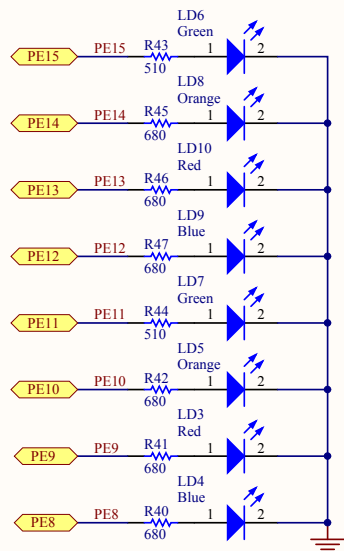
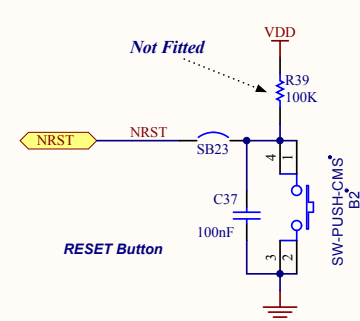
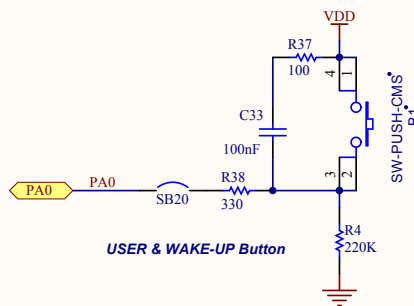
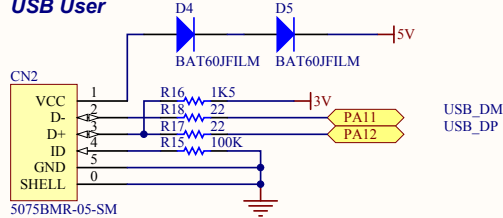
STMicroelectronics

Title: **STM32F303C-DISC1 ST-LINK/V2-B (SWD only)**

Number **MB1035** Rev: C.1(PCB.SCH) Date: 3/23/2016 Sheet **2** of **4**



USB User



Silkscreen for Gyroscope and E-compass with accelerometer

STMicroelectronics

Title: **STM32F303C-DISC1 Peripherals**