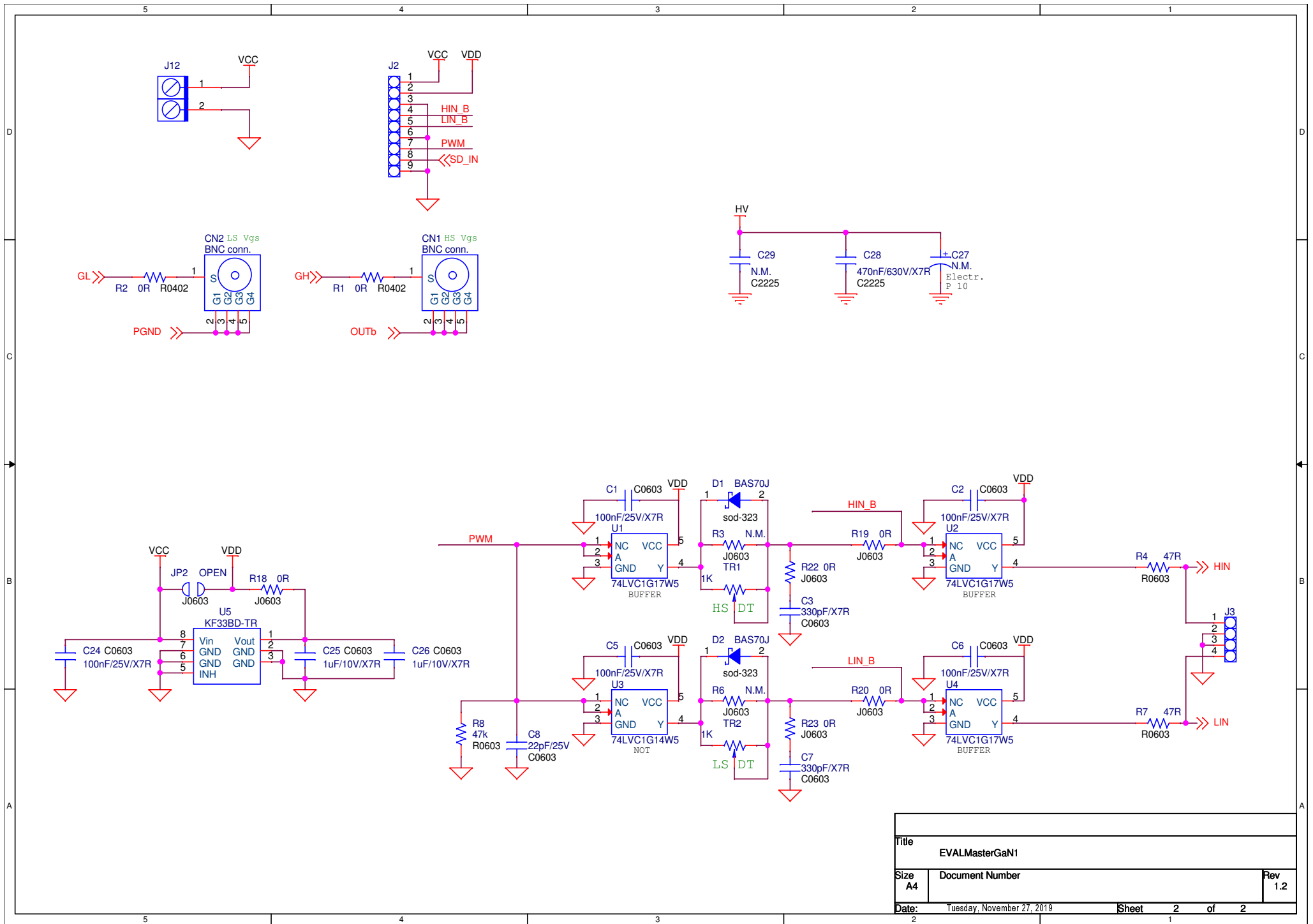


Title		
EVALMasterGaN1		
Size	Document Number	Rev
A4		1.2
Date:	Wednesday, November 27, 2019	Sheet 1 of 2



Title		EVALMasterGaN1	
Size	A4	Document Number	
Date:	Tuesday, November 27, 2019	Sheet	2 of 2
		Rev	1.2