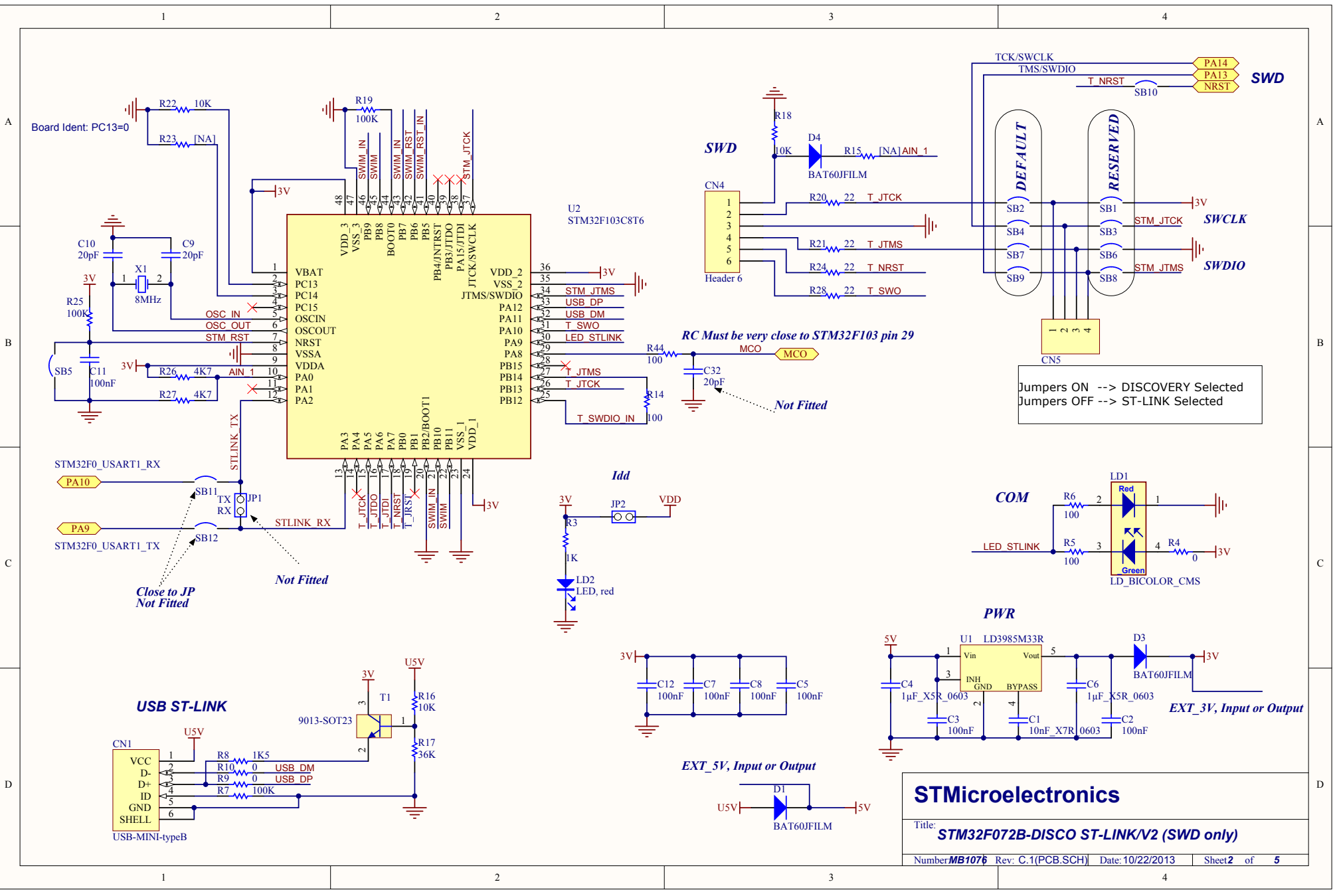


Rev A.0 --> PCB label MB1076 A-00
 Rev B.1 --> PCB label MB1076 B-01, Silkscreen modification and values of R29,30,31,32.
 Rev C.1 --> PCB label MB1076 C-01, Replace STM32F052 by STM32F072 on Silkscreen

STMicroelectronics

Title: **STM32F072B-DISCO**

Number **MB1076** Rev: C.1(PCB.SCH) Date: 10/28/2013 Sheet 1 of 5

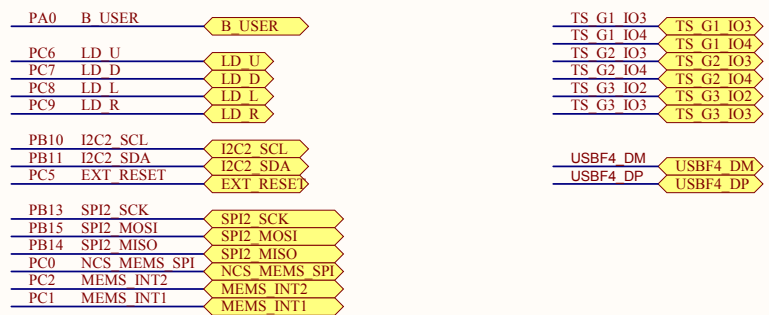
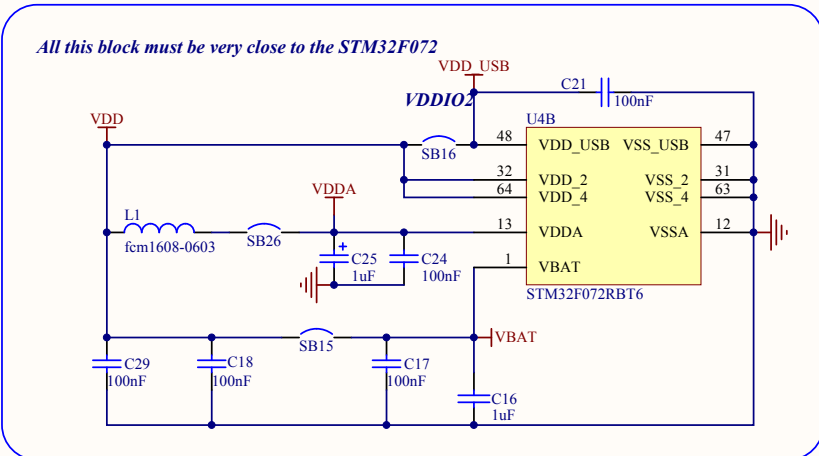
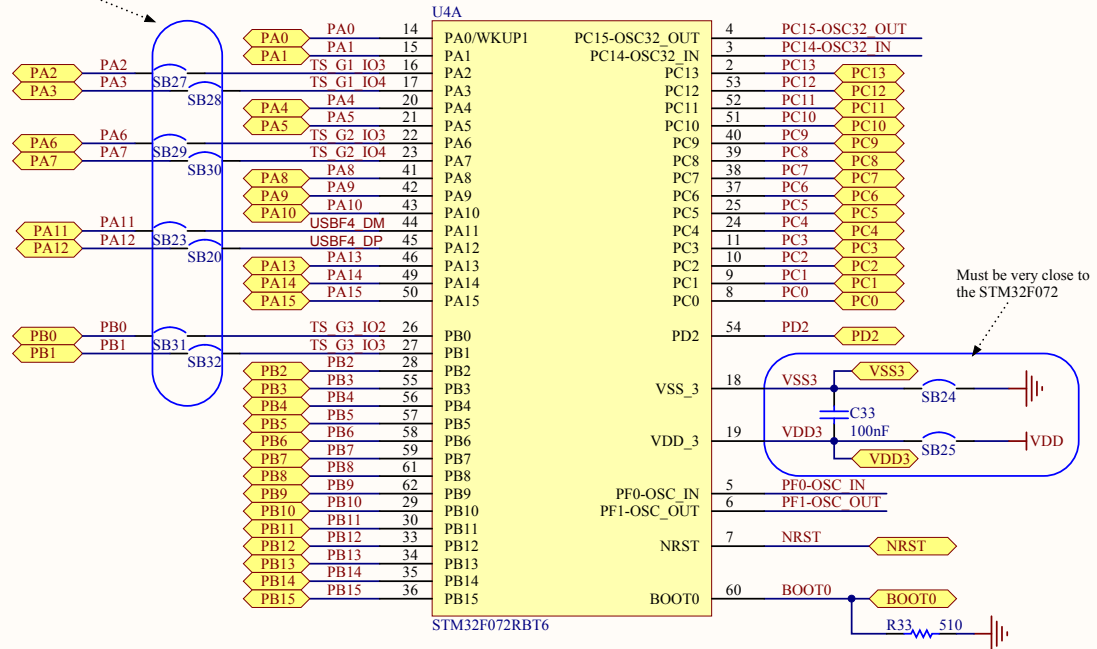
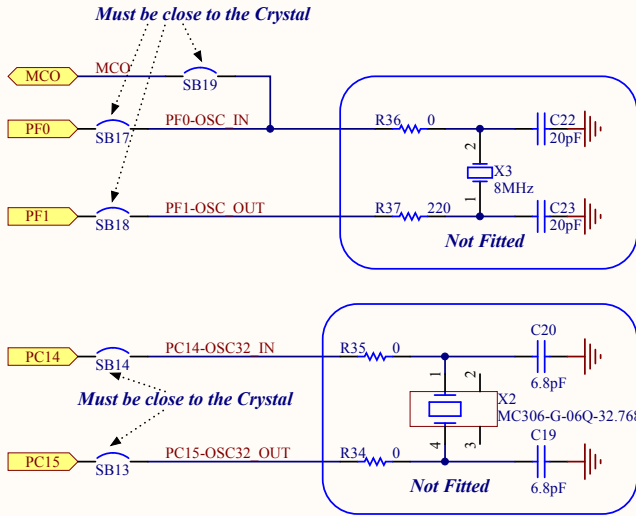


STMicroelectronics

Title: **STM32F072B-DISCO ST-LINK/V2 (SWD only)**

Number **MB1076** Rev: C.1(PCB.SCH) Date: 10/22/2013 Sheet **2** of **5**

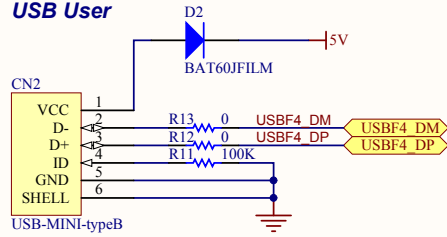
SBx Must be very close to the STM32F072



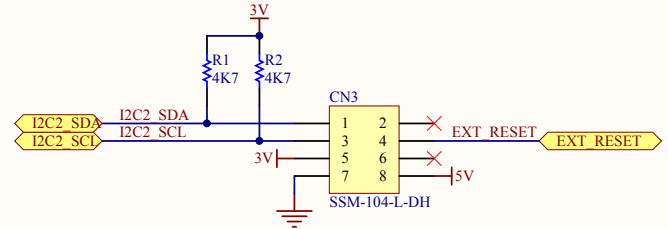
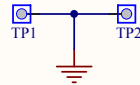
STMicroelectronics

Title: **STM32F072B-DISCO - STM32F072BCT6 MCU**

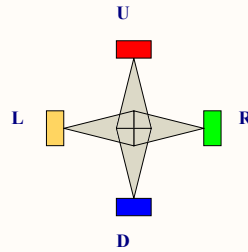
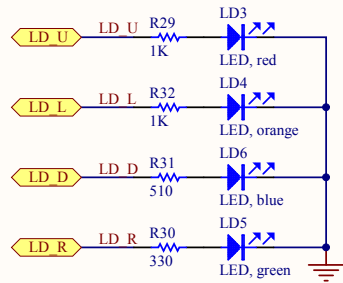
USB User



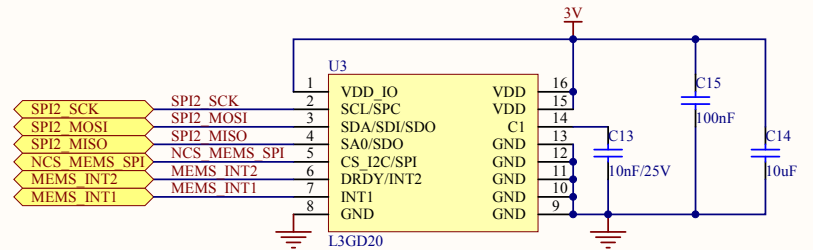
Test Point with hole



Extension / RF EEPROM Connector



LEDs

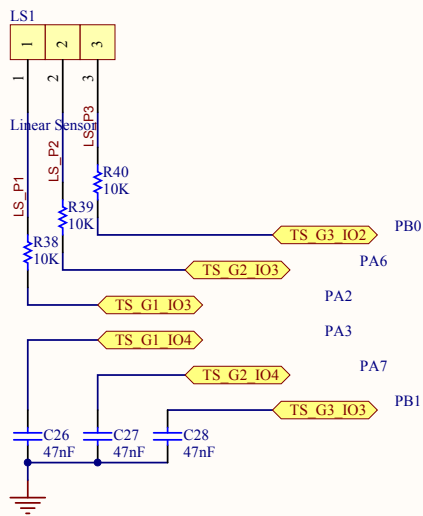


MEMS

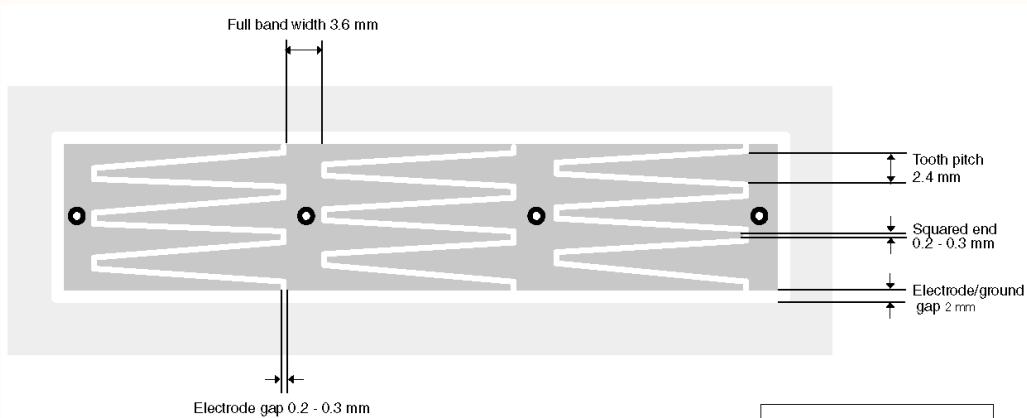
STMicroelectronics

Title: STM32F072B-DISCO MEMS and USB

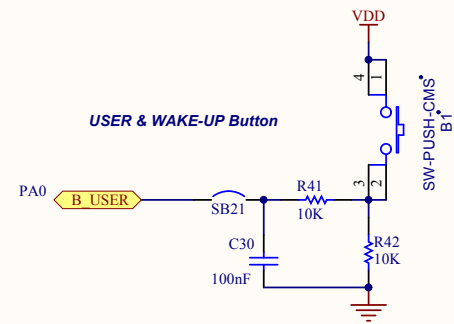
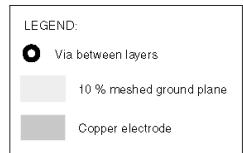
Number MB1076 Rev: C.1(PCB.SCH) Date: 10/28/2013 Sheet 4 of 5



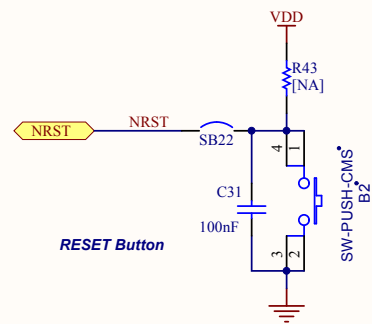
Linear sensor made of 3 electrodes



Interlaced slider with three elements (up to 60 mm long)



USER & WAKE-UP Button



RESET Button

STMicroelectronics

Title: **STM32F072B-DISCO Linear Sensor and Push Button**

Number **MB1076** Rev: C.1(PCB.SCH) Date: 10/22/2013 Sheet 5 of 5