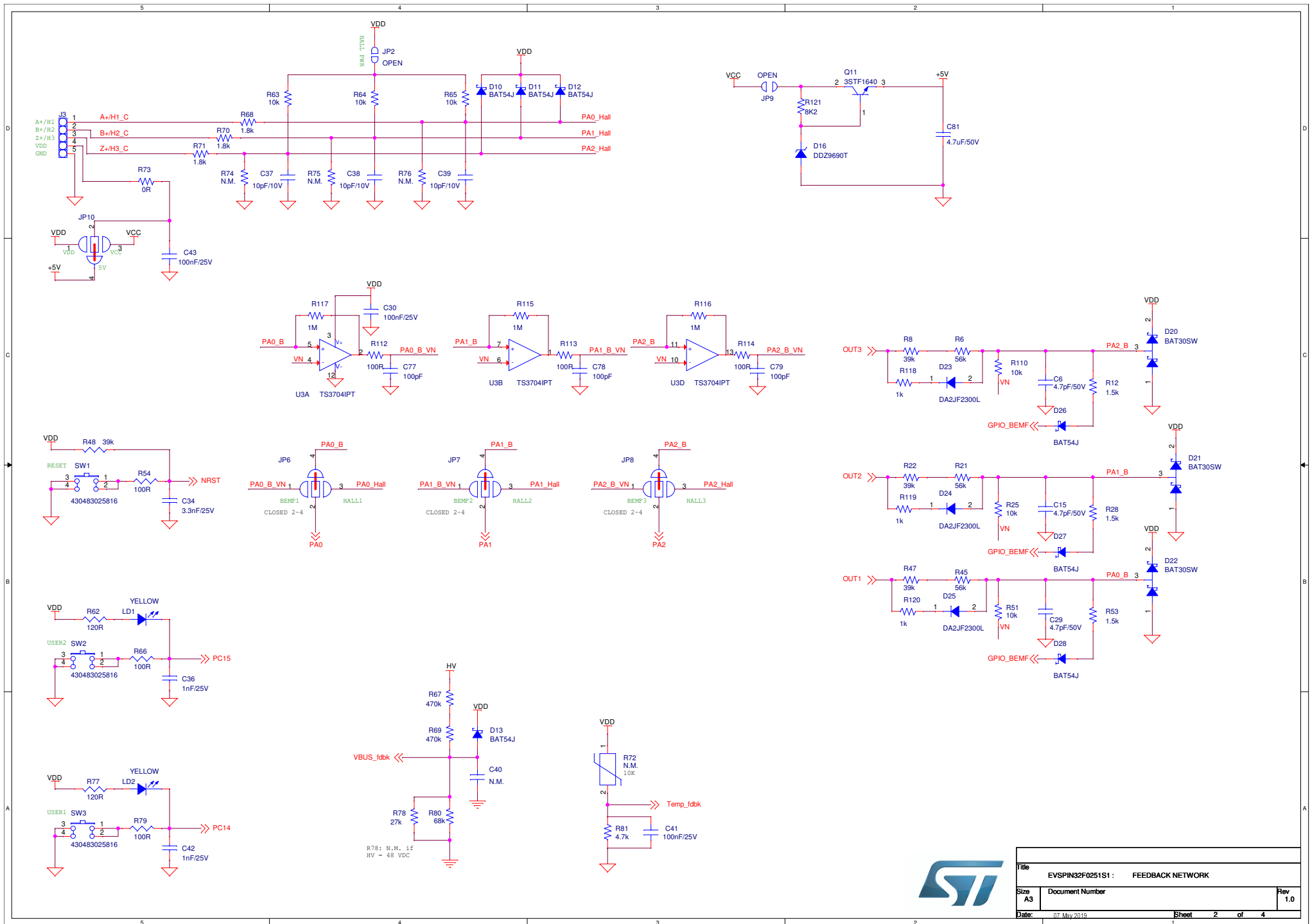
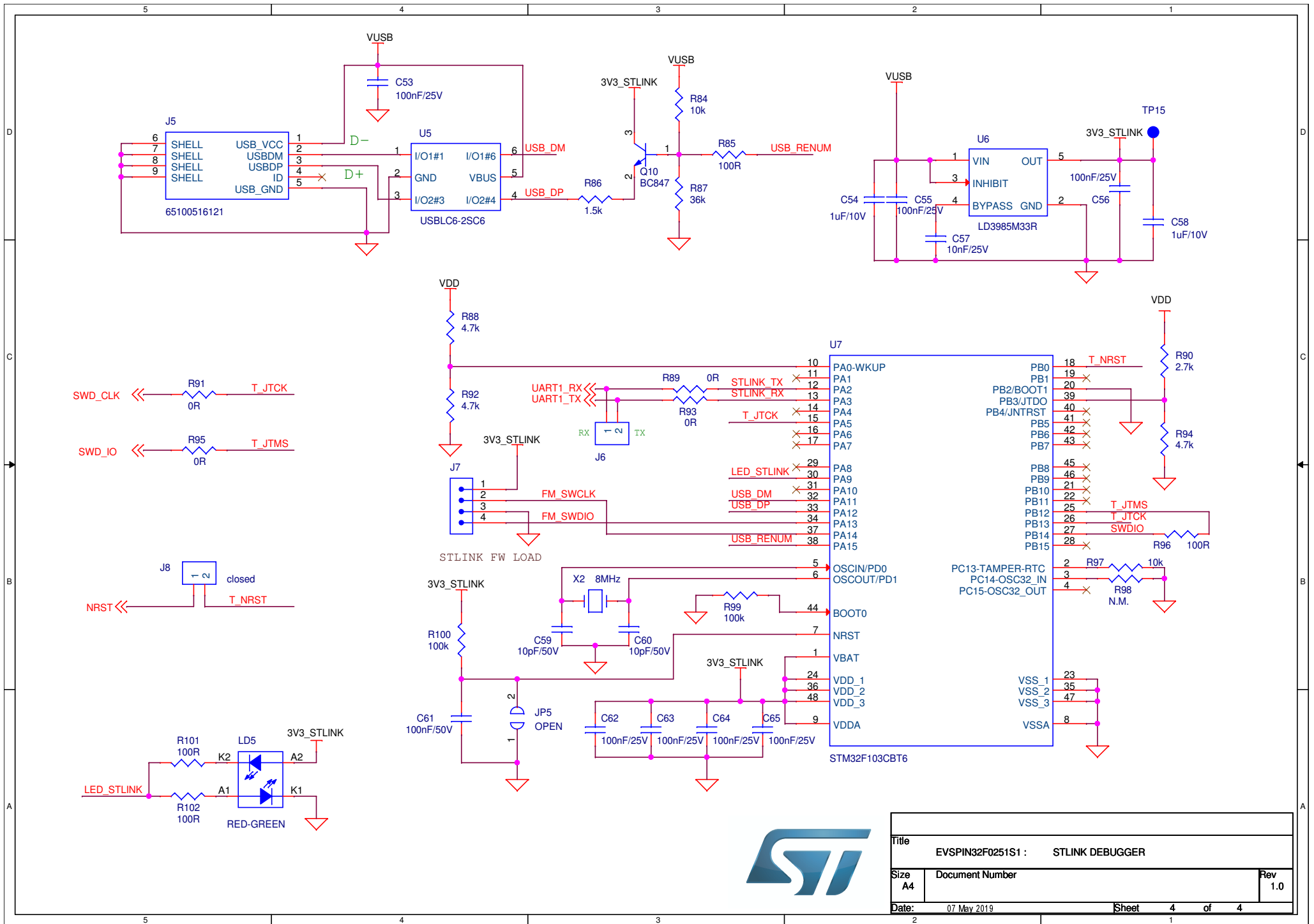


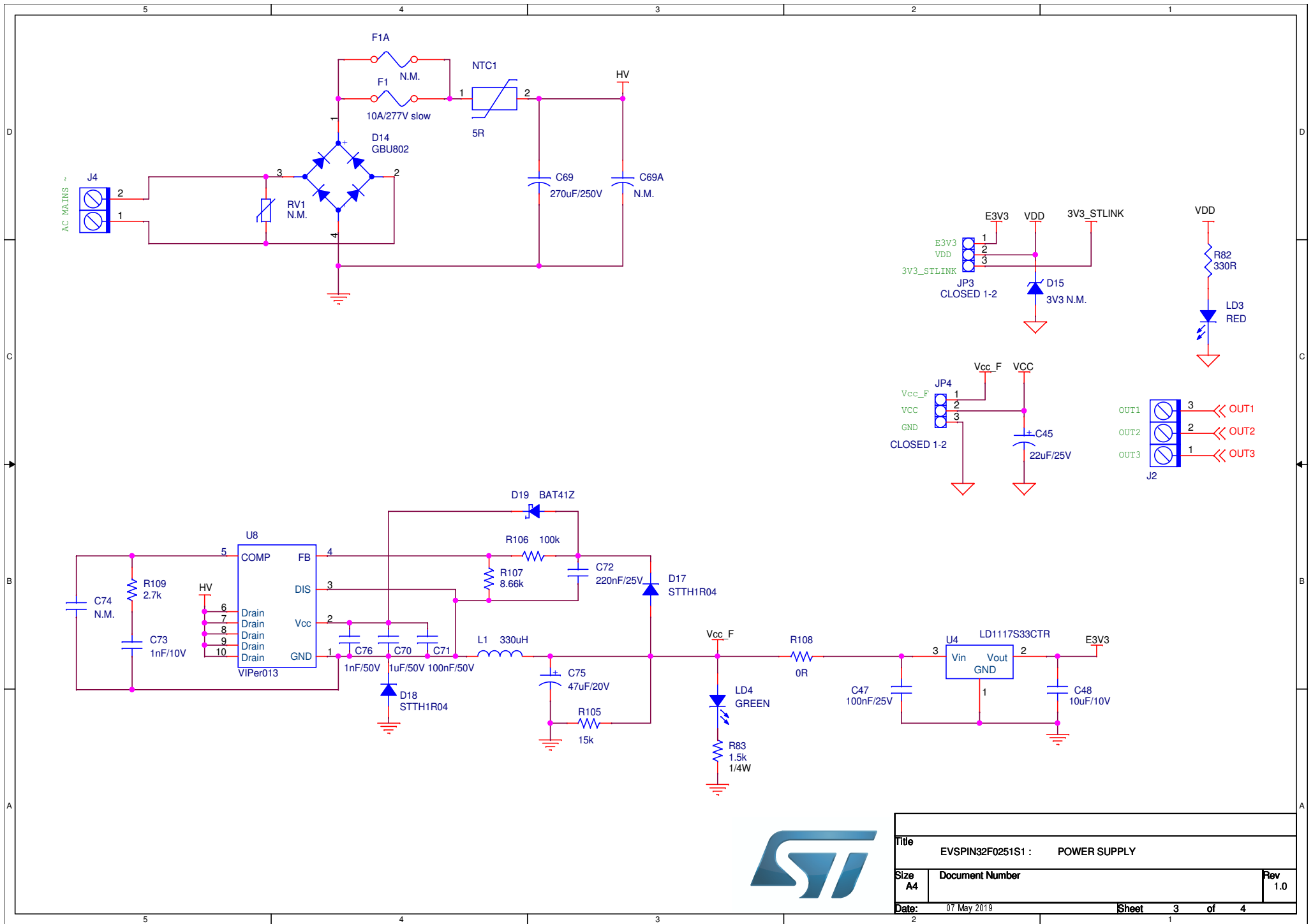
Title		
EVSPIN32F0251S1 : DRIVER - OUTPUT STAGE		
Size	Document Number	Rev
A3		1.0
Date:	07 May 2019	Sheet 1 of 4



Title		
EVSPIN32F0251S11 : FEEDBACK NETWORK		
Size	Document Number	Rev
A3		1.0
Date:	07 May 2019	Sheet 2 of 4



Title		
EVSPIN32F0251S1 : STLINK DEBUGGER		
Size	Document Number	Rev
A4		1.0
Date:	07 May 2019	Sheet 4 of 4



Title		
EVSPIN32F0251S1 : POWER SUPPLY		
Size	Document Number	Rev
A4		1.0
Date:	07 May 2019	Sheet 3 of 4