

# Microphone MEMS Daughter Board

---

MB1299

---

## Table of contents

---

Sheet 1: Project overview (this page)

Sheet 2: MB1299

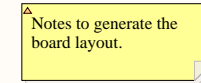
## Legend

---

General comment such as function title, configuration, ...

Text to be added to silkscreen.

Warning text.



## Open Platform License Agreement

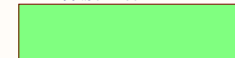
---

The Open Platform License Agreement (“Agreement”) is a binding legal contract between you (“You”) and STMicroelectronics International N.V. (“ST”), a company incorporated under the laws of the Netherlands acting for the purpose of this Agreement through its Swiss branch 39, Chemin du Champ des Filles, 1228 Plan-les-Ouates, Geneva, Switzerland.

By using the enclosed reference designs, schematics, PC board layouts, and documentation, in hardcopy or CAD tool file format (collectively, the “Reference Material”), You are agreeing to be bound by the terms and conditions of this Agreement. Do not use the Reference Material until You have read and agreed to this Agreement terms and conditions. The use of the Reference Material automatically implies the acceptance of the Agreement terms and conditions.

The complete Open Platform License Agreement can be found on [www.st.com/opla](http://www.st.com/opla).

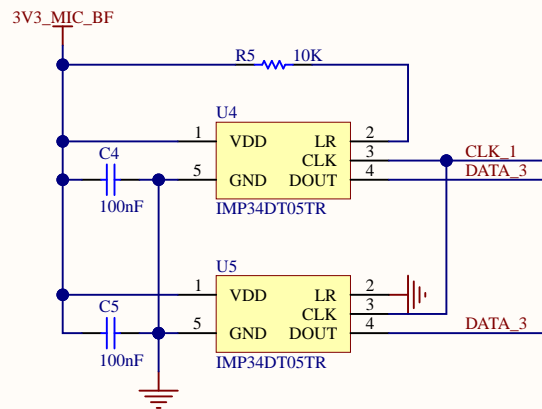
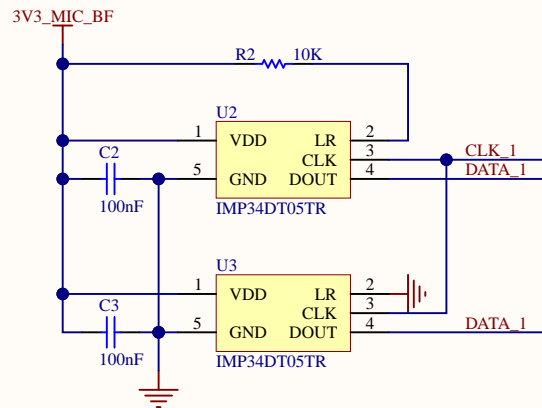
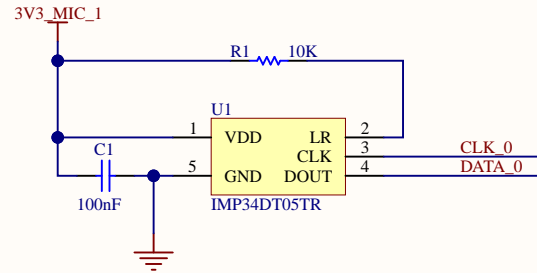
U\_MB1299  
MB1299.SchDoc



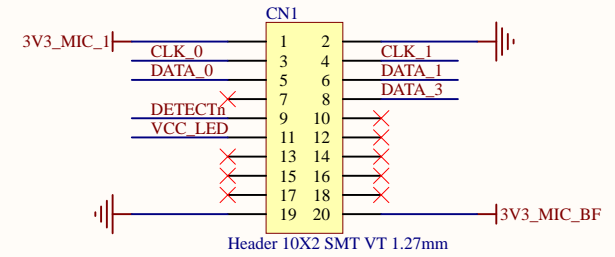
Title: <b>Project overview</b>		
Project: <b>Microphone MEMS Daughter Board</b>		
Variant: Default		
Revision: B-03		Reference: MB1299
Size: A4	Date: 13/10/2021	Sheet: 1 of 2



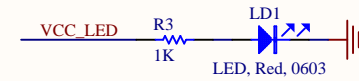
# MEMS microphones Daughter Board



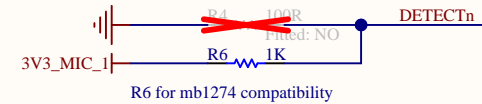
# Connector



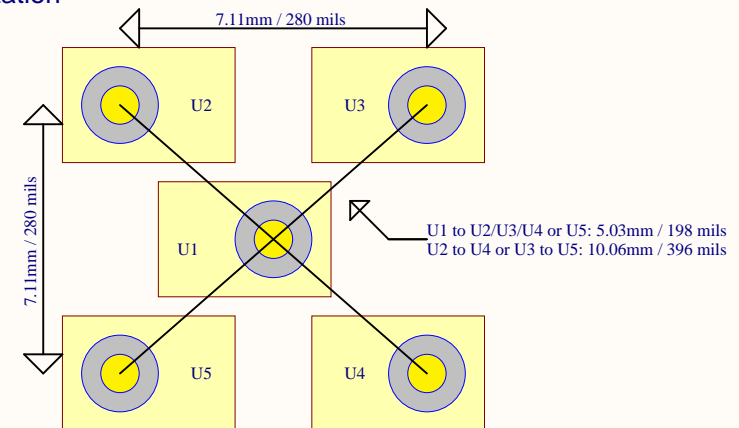
# LED



# CARD DETECT



# Board implementation



Title: MEMS	
Project: Microphone MEMS Daughter Board	
Variant: Default	
Revision: B-03	
Size: A4	Reference: MB1299
Date: 13/10/2021	Sheet: 2 of 2

