

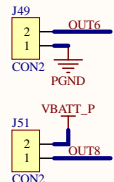
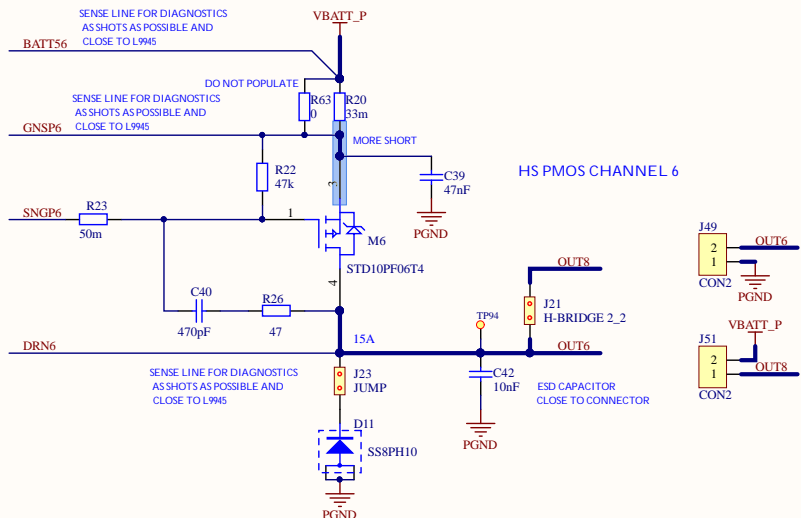
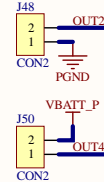
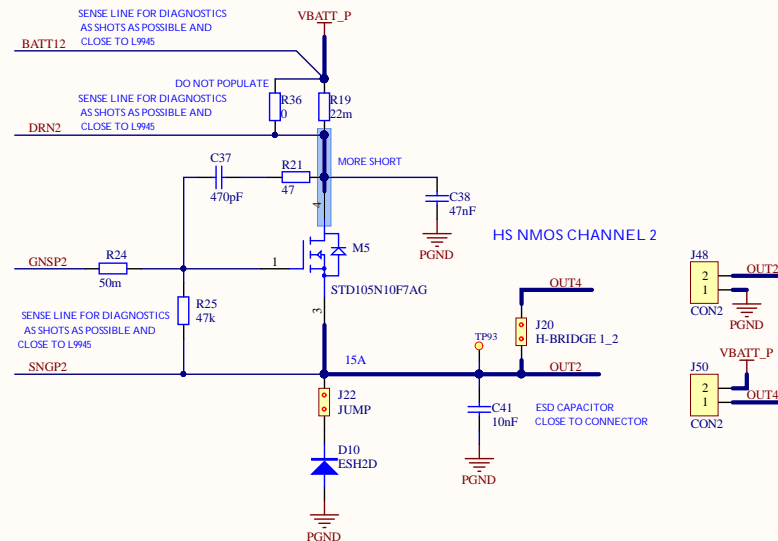
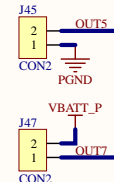
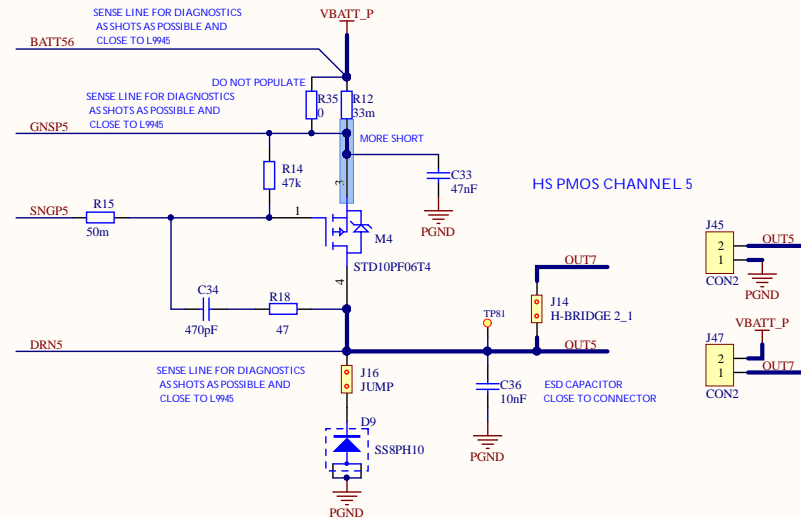
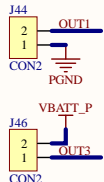
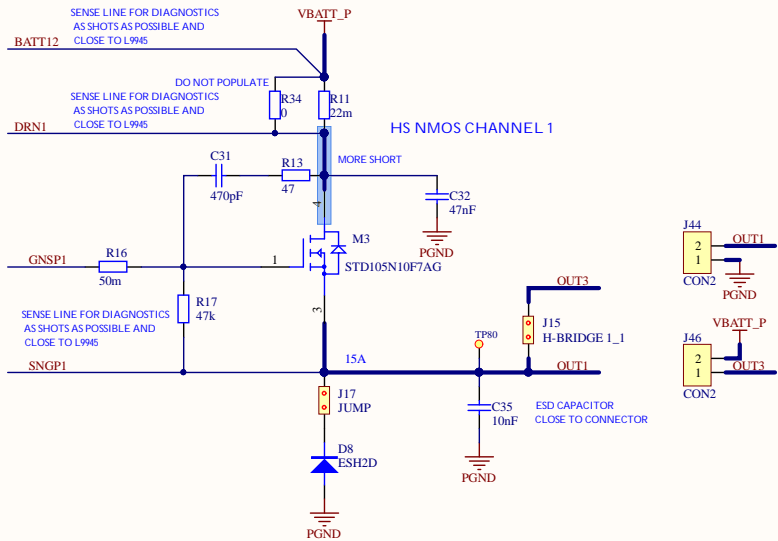
STMicroelectronics
Automotive & Discrete Group

life.aumentec

Title: **EVAL-L9945**

Size: A3	Document Number	Revision: 3
Date: 21/01/2019	Sheet: 1 of 4	

"IL DISEGNO E' DI PROPRIETA' ST CHE SI RISERVA I DIRITTI SANCITI DALLE LEGGI"
 "THE DRAWING IS PROPERTY OF ST THAT RESERVES THE RIGHTS ENACTED FROM THE LAWS"
 "STMicroelectronics assumes no responsibility for the consequences of the use of this board"



STMicroelectronics
Automotive & Discrete Group

life.aumentec

Title: **External Components**

Size: A3	Document Number:	Revision: 3
Date: 21/01/2019	Sheet 2 of 4	

"IL DISEGNO E' DI PROPRIETA' ST CHE SI RISERVA I DIRITTI SANCITI DALLE LEGGI"
"THE DRAWING IS PROPERTY OF ST THAT RESERVES THE RIGHTS ENACTED FROM THE LAWS"
"STMicroelectronics assumes no responsibility for the consequences of the use of this board"

