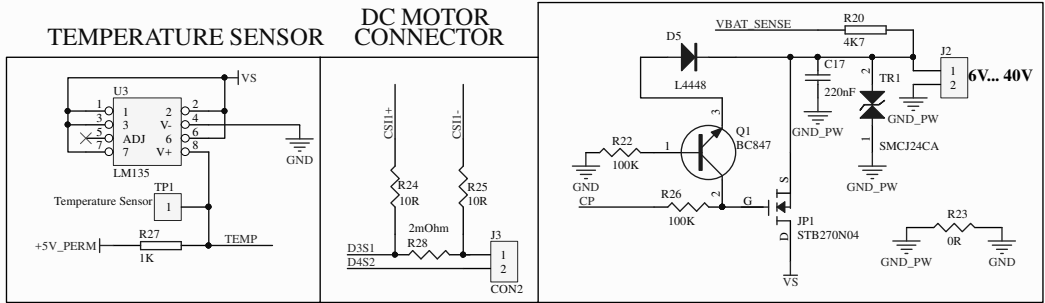


REVERSE BATTERY & VB CONNECTOR



Title		
L99H02QF for STMA application board		
Size	Number	Revision
A3		1.0
Date:	10/28/2021	Sheet 1 of 1
File:	C:\Users\...\.L99H02QF for STMA V1.0.SchDrawn By:	