

A

B

C

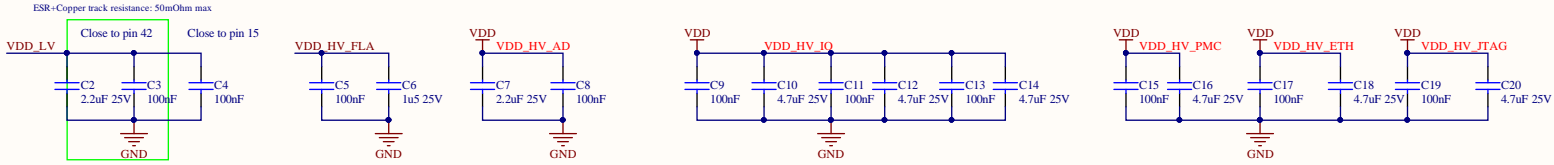
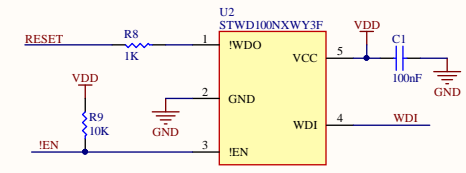
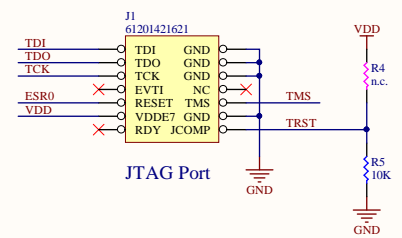
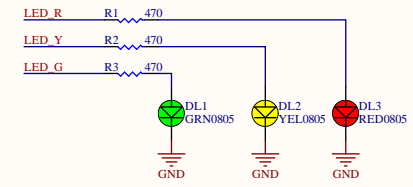
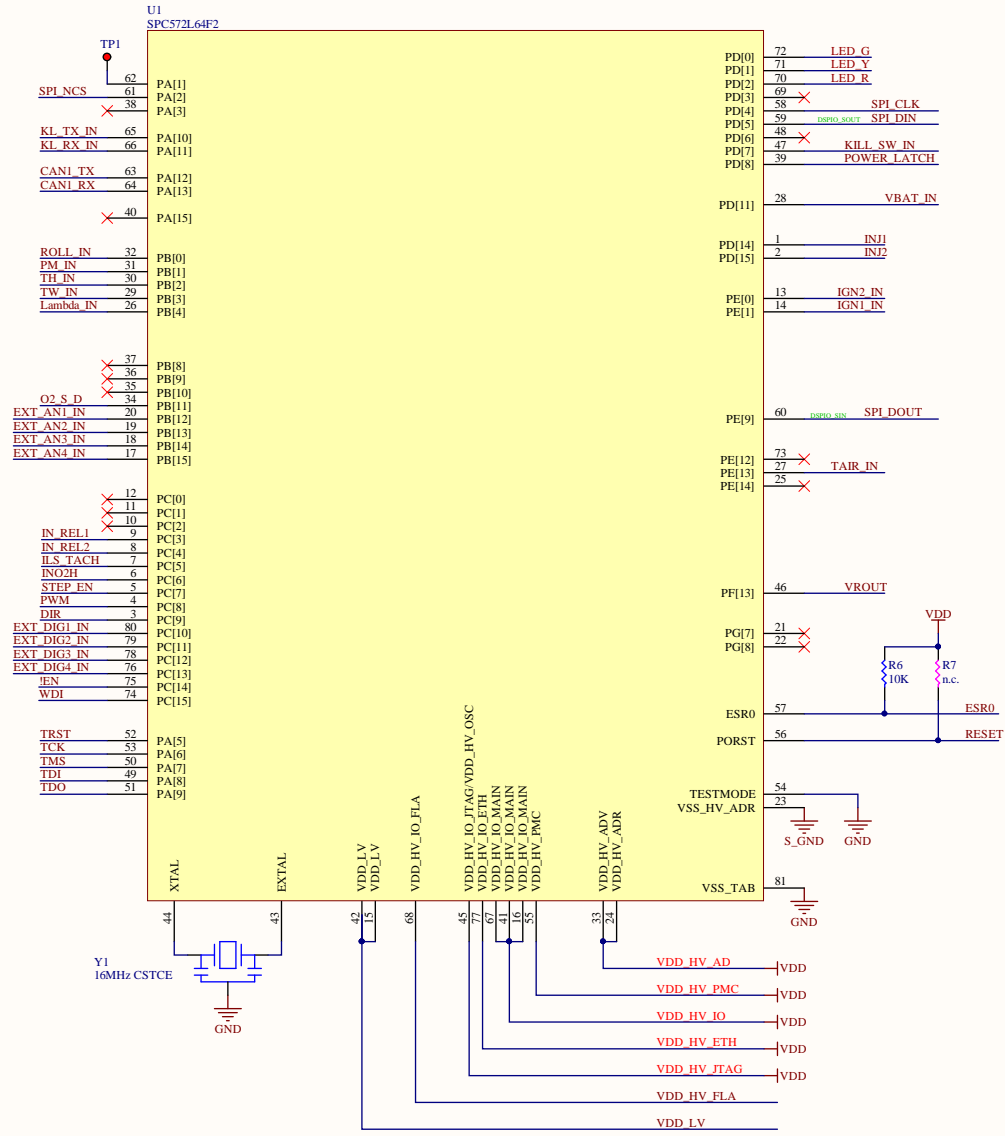
D

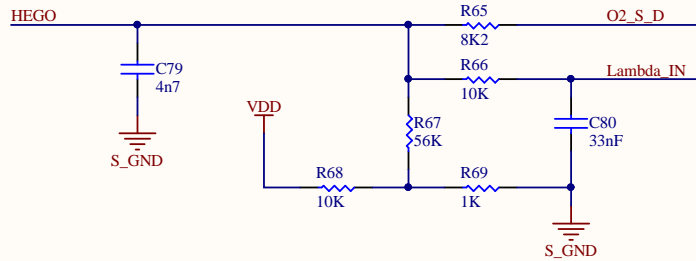
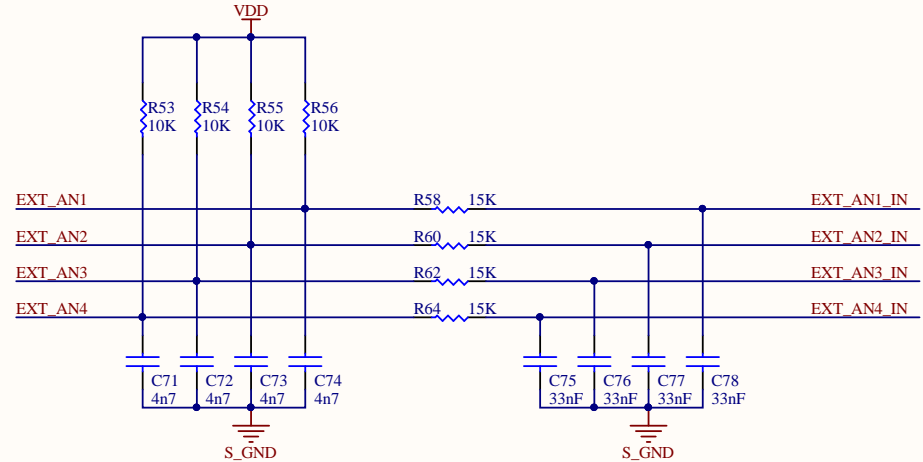
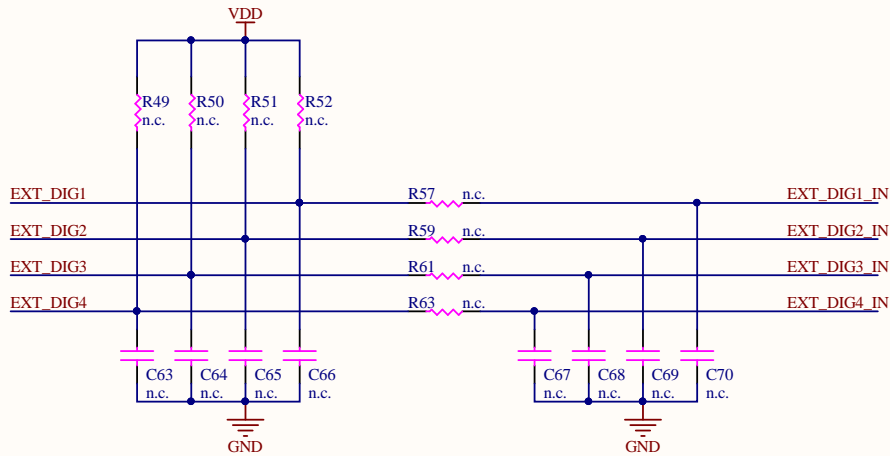
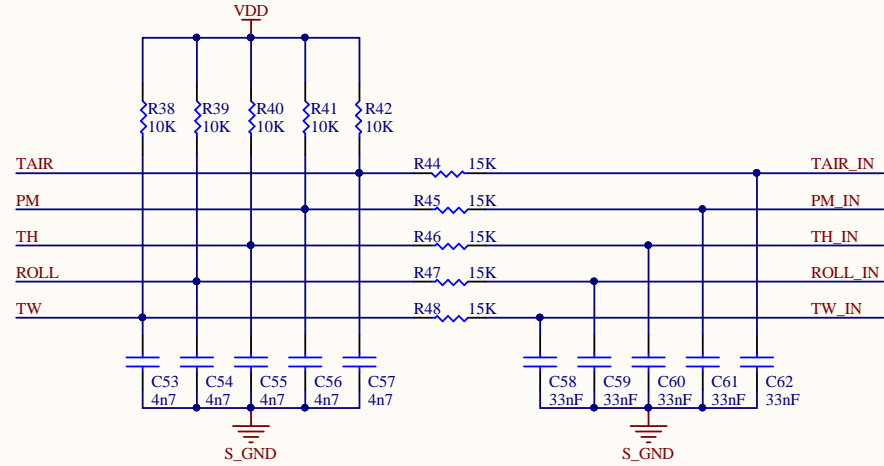
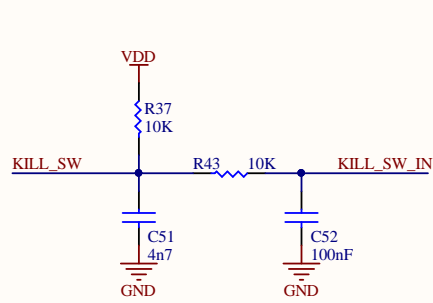
A

B

C

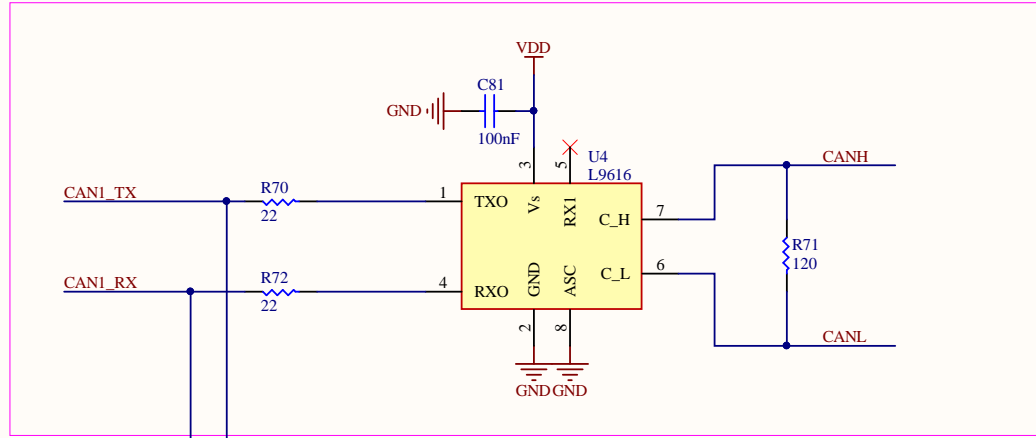
D





Title EM017_v4.00.PrjPcb		eMoticom S.r.l. Via Freguglia, 10 20122 - Milan Italy www.emoticom.net	
Size: A4	Sheet: EM017_ST-3.SchDoc	Rev. 4.00	
Date: 12/19/2018	Time: 12:06:17 PM	4 of 5	
File: C:\Users\dangelov\Desktop\EM017_V4.00_approvazione_ST_2018_10_17\EM017_V4.00\EM017_ST-3.SchDoc			

CAN Transceiver



R51 & R53: ASSEMBED R22 & R40: NOT absembled = CAN (default setup)
 R51 & R53: NOT assembled R22 & R40: ASSEMBLED = Serial

