

# WIFI Module (ISM43340-M4G-L44-10CF)

---

MB1486

---

## Table of contents

---

Sheet 1 : Project overview  
Sheet 2 : WIFI\_MODULE

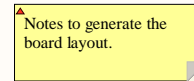
## Legend

---

General comment such as function title, configuration, ...

Text to be added to silkscreen.

Warning text.



## Open Platform License Agreement

---

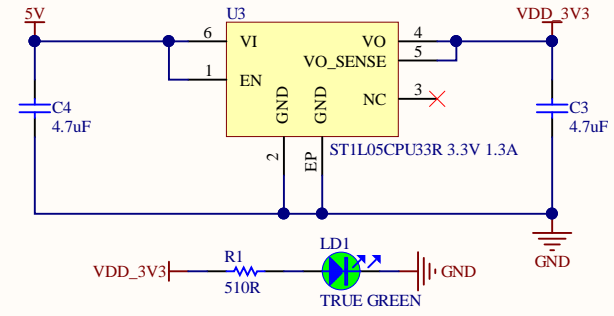
The Open Platform License Agreement (“Agreement”) is a binding legal contract between you (“You”) and STMicroelectronics International N.V. (“ST”), a company incorporated under the laws of the Netherlands acting for the purpose of this Agreement through its Swiss branch 39, Chemin du Champ des Filles, 1228 Plan-les-Ouates, Geneva, Switzerland.

By using the enclosed reference designs, schematics, PC board layouts, and documentation, in hardcopy or CAD tool file format (collectively, the “Reference Material”), You are agreeing to be bound by the terms and conditions of this Agreement. Do not use the Reference Material until You have read and agreed to this Agreement terms and conditions. The use of the Reference Material automatically implies the acceptance of the Agreement terms and conditions.

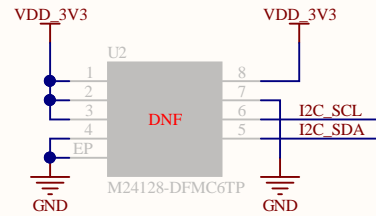
The complete Open Platform License Agreement can be found on [www.st.com/opla](http://www.st.com/opla).

Title: <b>Project overview</b>	
Project: <b>WIFI Module (ISM43340-M4G-L44-10CF)</b>	
Variant: Soldered	
Revision: A-02	Reference: MB1486
Size: A4	Date: 19-SEP-19
Sheet: 1 of 2	

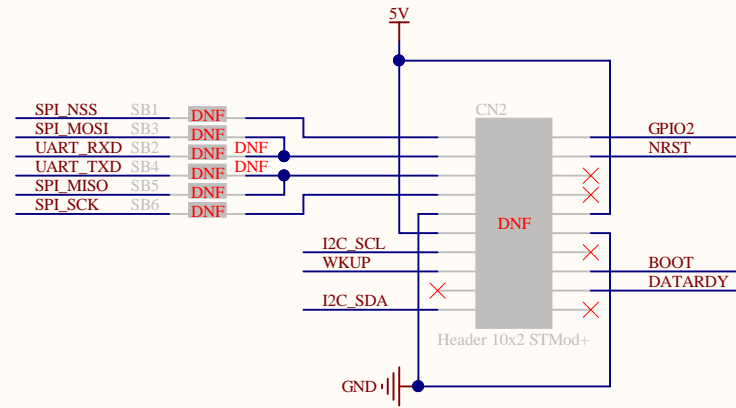
### POWER



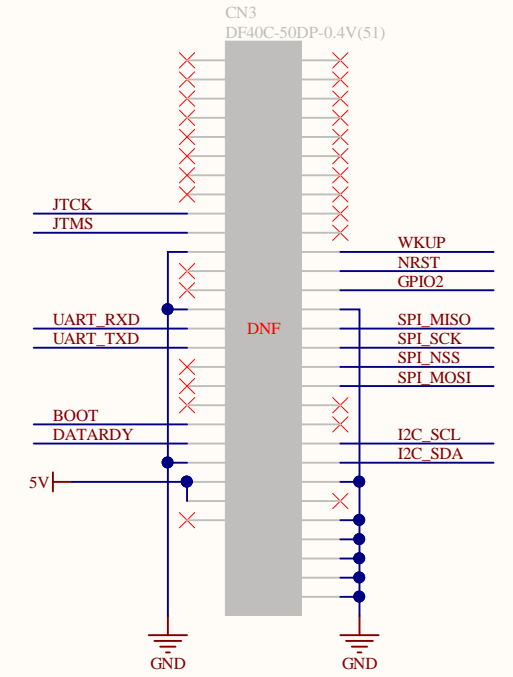
### I2C Bus EEPROM



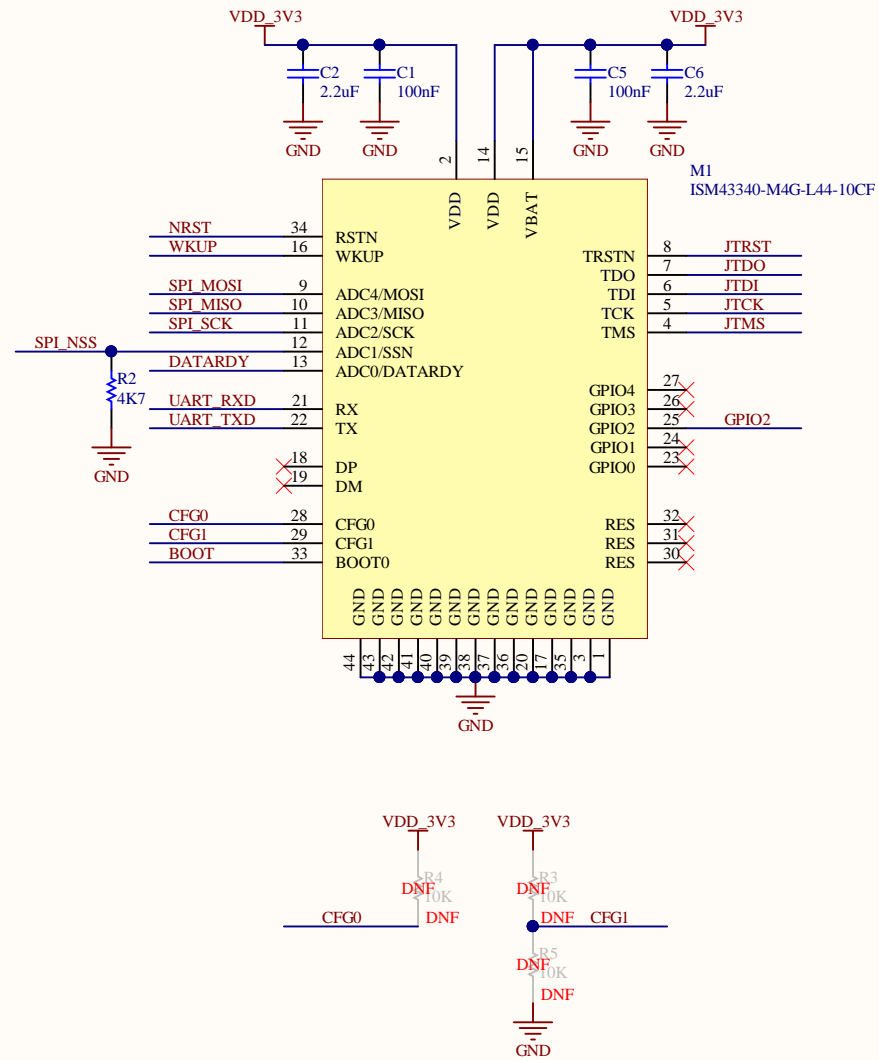
### STMOD+



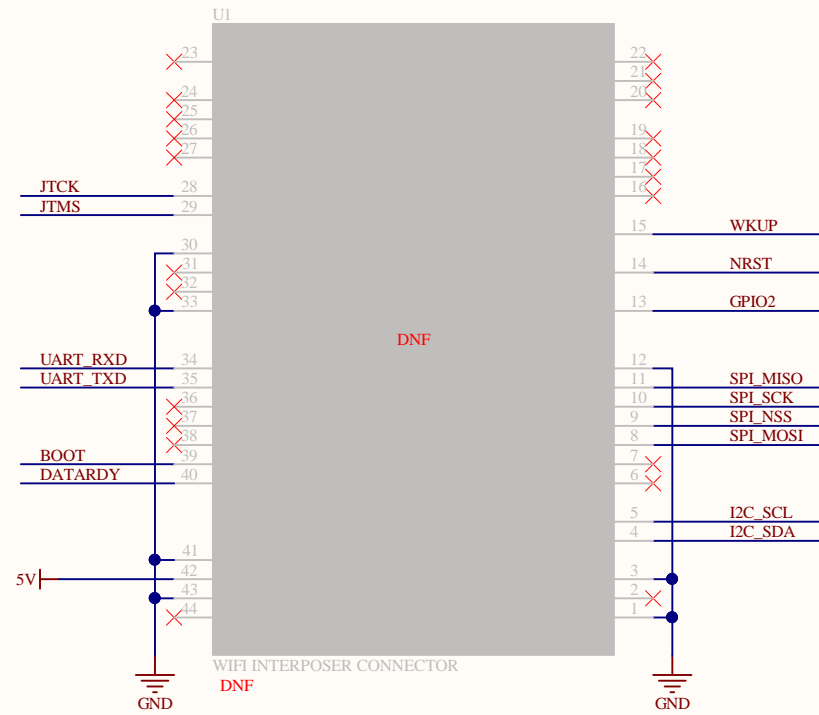
### DF40C



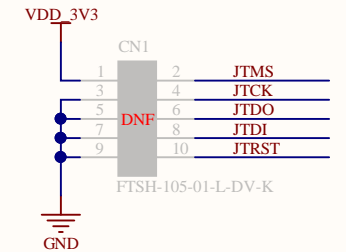
### WIFI MODULE (ISM43340-M4G-L44-10CF)



### INTERPOSER CONNECTOR



### DEBUG



### PCB & sticker

#### HW8

PCB  
mbxxxxY

#### HW9

BOARD REF  
mbxxxxy-zz syywxxxxx