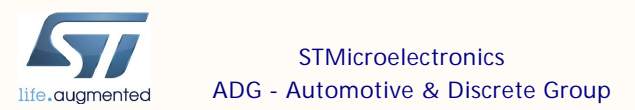
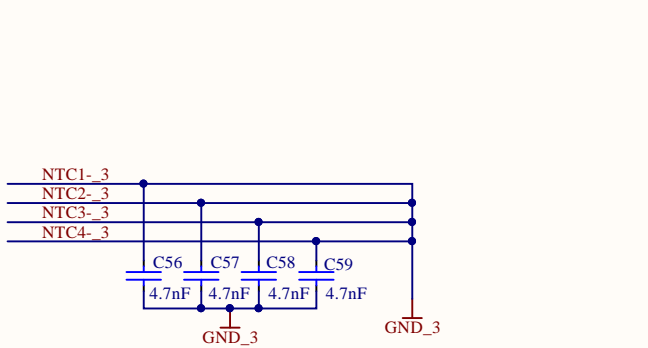
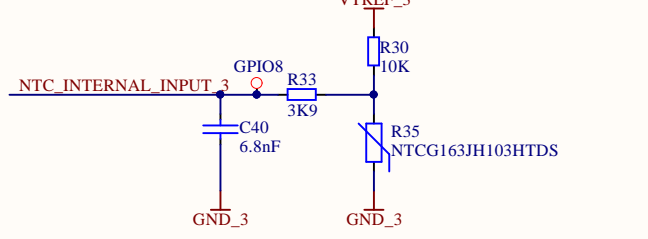
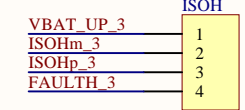
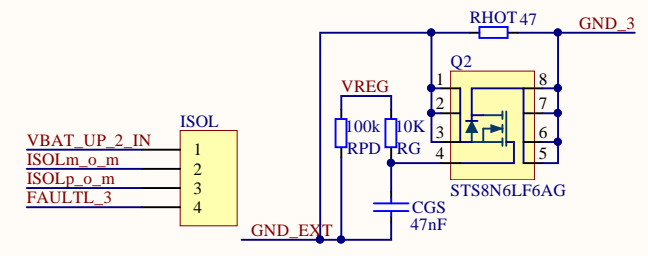


VBAT_CELL_3	15	1	C14_3
C13_3	16	2	C12_3
C11_3	17	3	C10_3
C9_3	18	4	C8_3
C7_3	19	5	C6_3
C5_3	20	6	C4_3
C3_3	21	7	C2_3
C1_3	22	8	C0_3
GND_EXT	23	9	GND_EXT
NTC1-_3	24	10	NTC1+_3
NTC2-_3	25	11	NTC2+_3
NTC3-_3	26	12	NTC3+_3
NTC4-_3	27	13	NTC4+_3
	28	14	



Title		
Promotion Board – BMS – Cell Monitoring Unit (CMU)		
Size	Number	Revision
B	ADG-PT&S- 03-1946-49-R.0.0	
Date:	11/12/2019	Sheet of
File:	H:\2BiTS_net\..L9963_3_R1.SchDoc	Drawn By: