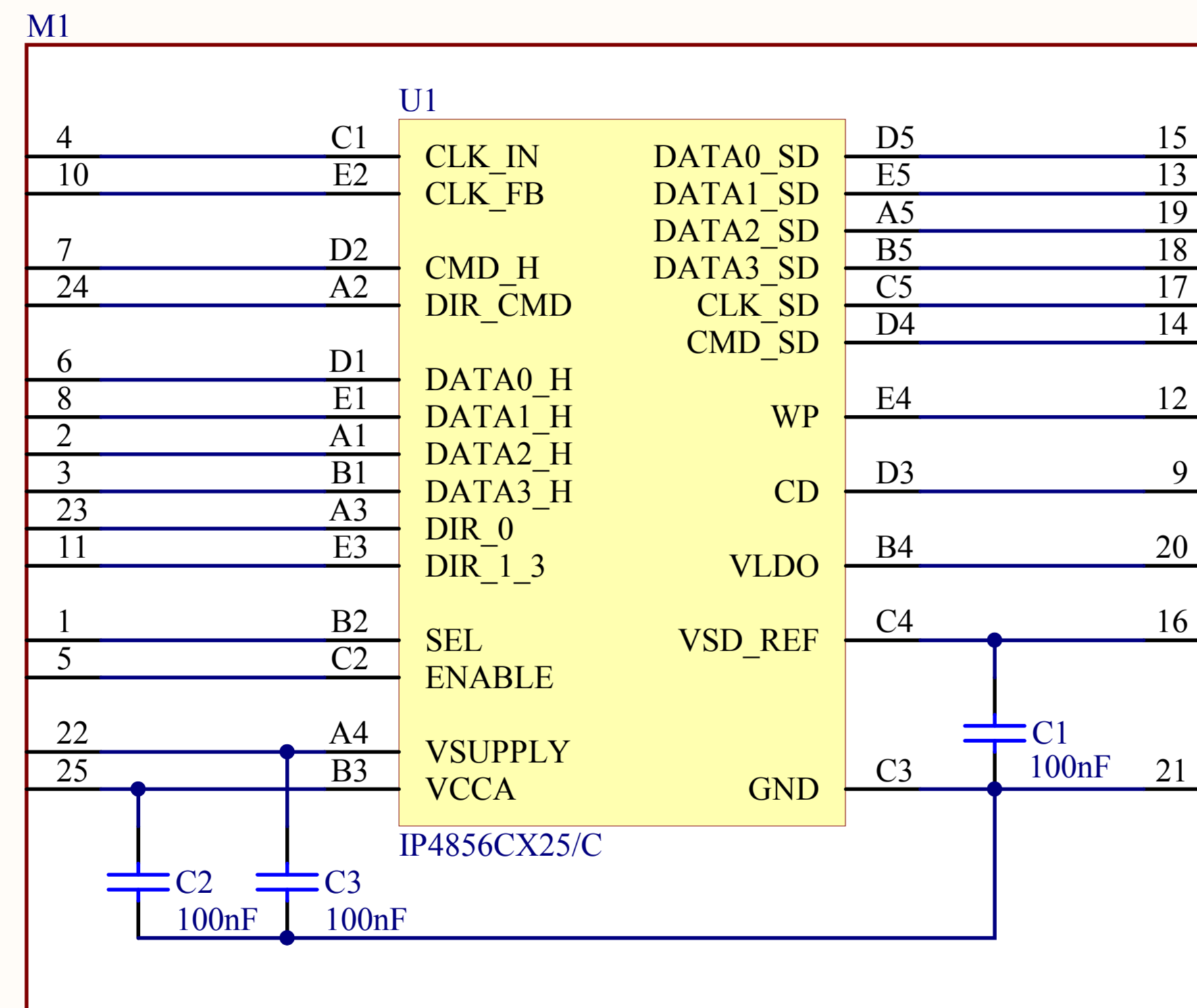


# MICRO SD 3.0 Card



WLCSP module board