

Sheet1
EVAL_L9026_Dut.SchDoc




Sheet2
EVAL_L9026_Output_connections.SchDoc



Sheet3
EVAL_L9026_Loadsµ.SchDoc



"IL DISEGNO E' DI PROPRIETA' ST CHE SI RISERVA I DIRITTI SANCITI DALLE LEGGI"
"THE DRAWING IS PROPERTY OF ST THAT RESERVES THE RIGHTS ENACTED FROM THE LAWS"
"STMicroelectronics assumes no responsibility for the consequences of the use of this board"

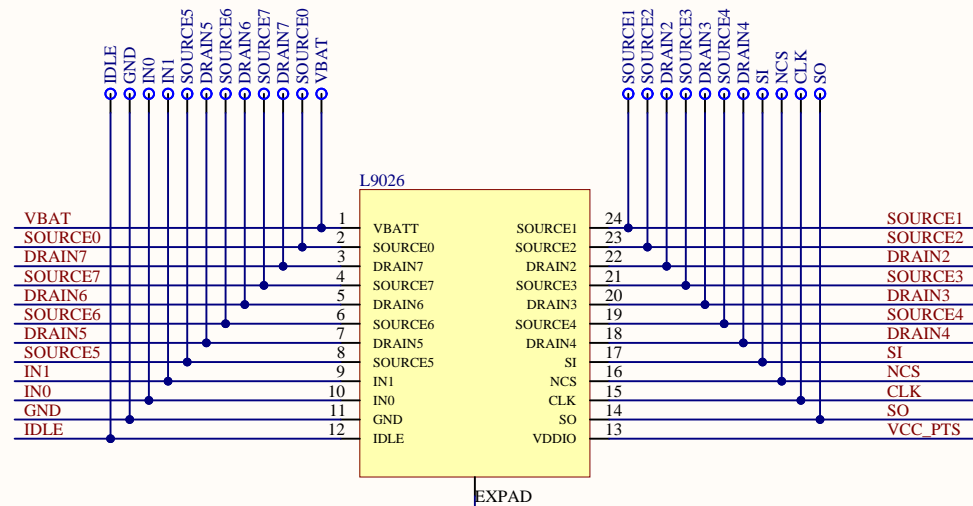


STMicroelectronics
Automotive & Discrete Group

life.augmentec

Title: L9026 Evaluation Board HTSSOP24

Size	Document Number	Revision
A4	2B191217_R0	R.0.1
Date:	1/19/2021	Sheet of 1 4



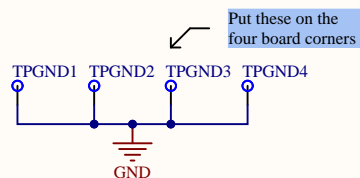
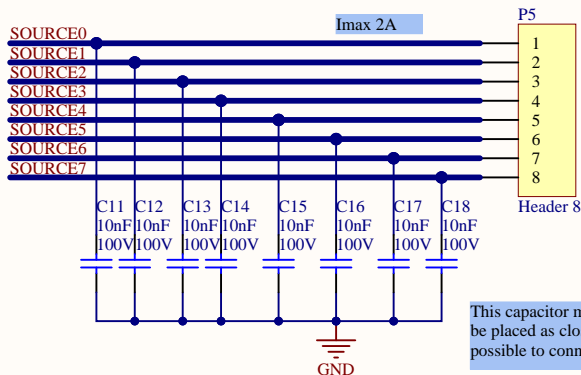
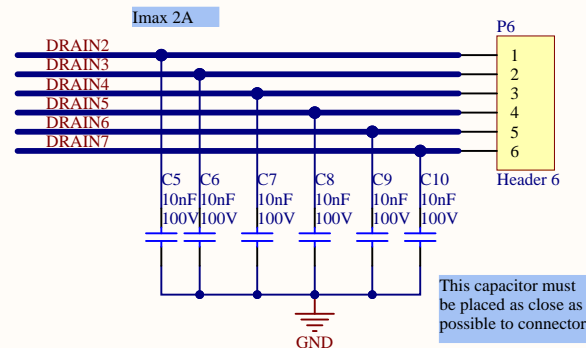
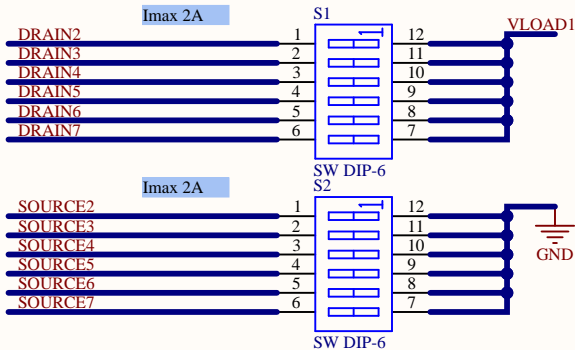
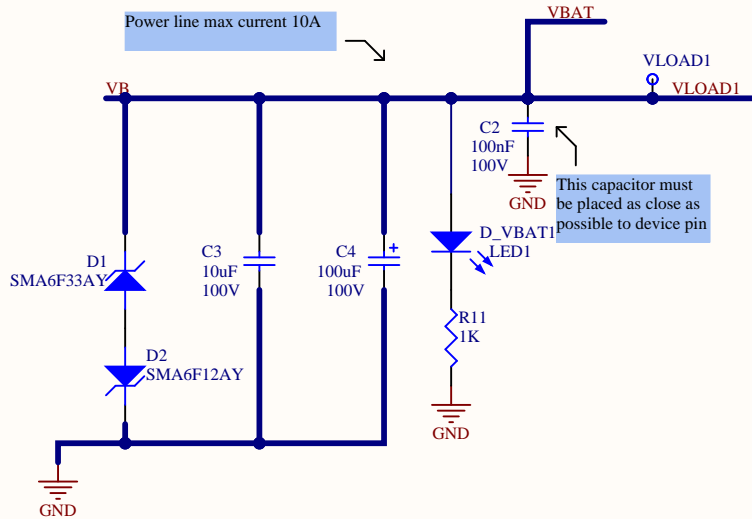
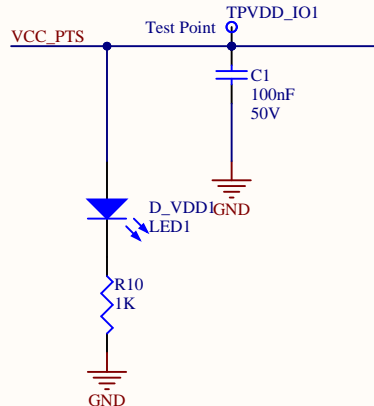
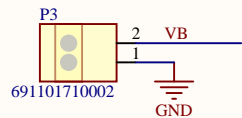
"IL DISEGNO E' DI PROPRIETA' ST CHE SI RISERVA I DIRITTI SANCITI DALLE LEGGI"
 "THE DRAWING IS PROPERTY OF ST THAT RESERVES THE RIGHTS ENACTED FROM THE LAWS"
 "STMicroelectronics assumes no responsibility for the consequences of the use of this board"


STMicroelectronics
Automotive & Discrete Group

life.augmentec

Title: L9026 Evaluation Board HTSSOP24

Size: A4	Document Number: 2B191217_R0	Revision: R.0.1
Date: 1/19/2021	Sheet of: 4	4



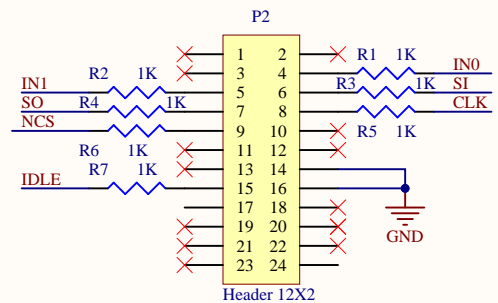
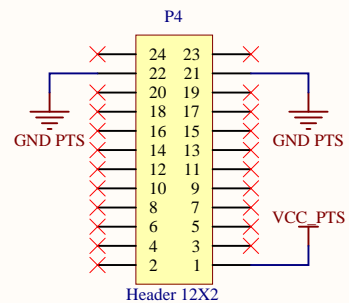


STMicroelectronics
Automotive & Discrete Group

Title: **L9026 Evaluation Board HTSSOP24**

Size A4	Document Number 2B191217_R0	Revision R.0.1
Date: 1/19/2021	Sheet of 4	

"IL DISEGNO E' DI PROPRIETA' ST CHE SI RISERVA I DIRITTI SANCITI DALLE LEGGI"
 "THE DRAWING IS PROPERTY OF ST THAT RESERVES THE RIGHTS ENACTED FROM THE LAWS"
 "STMicroelectronics assumes no responsibility for the consequences of the use of this board"



"IL DISEGNO E' DI PROPRIETA' ST CHE SI RISERVA I DIRITTI SANCITI DALLE LEGGI"
 "THE DRAWING IS PROPERTY OF ST THAT RESERVES THE RIGHTS ENACTED FROM THE LAWS"
 "STMicroelectronics assumes no responsibility for the consequences of the use of this board"

STMicroelectronics
Automotive & Discrete Group

life.augmentec

Title: L9026 Evaluation Board HTSSOP24

Size: A4	Document Number: 2B191217_R0	Revision: R.0.1
Date: 1/19/2021	Sheet of 4	