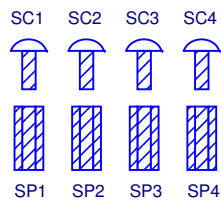
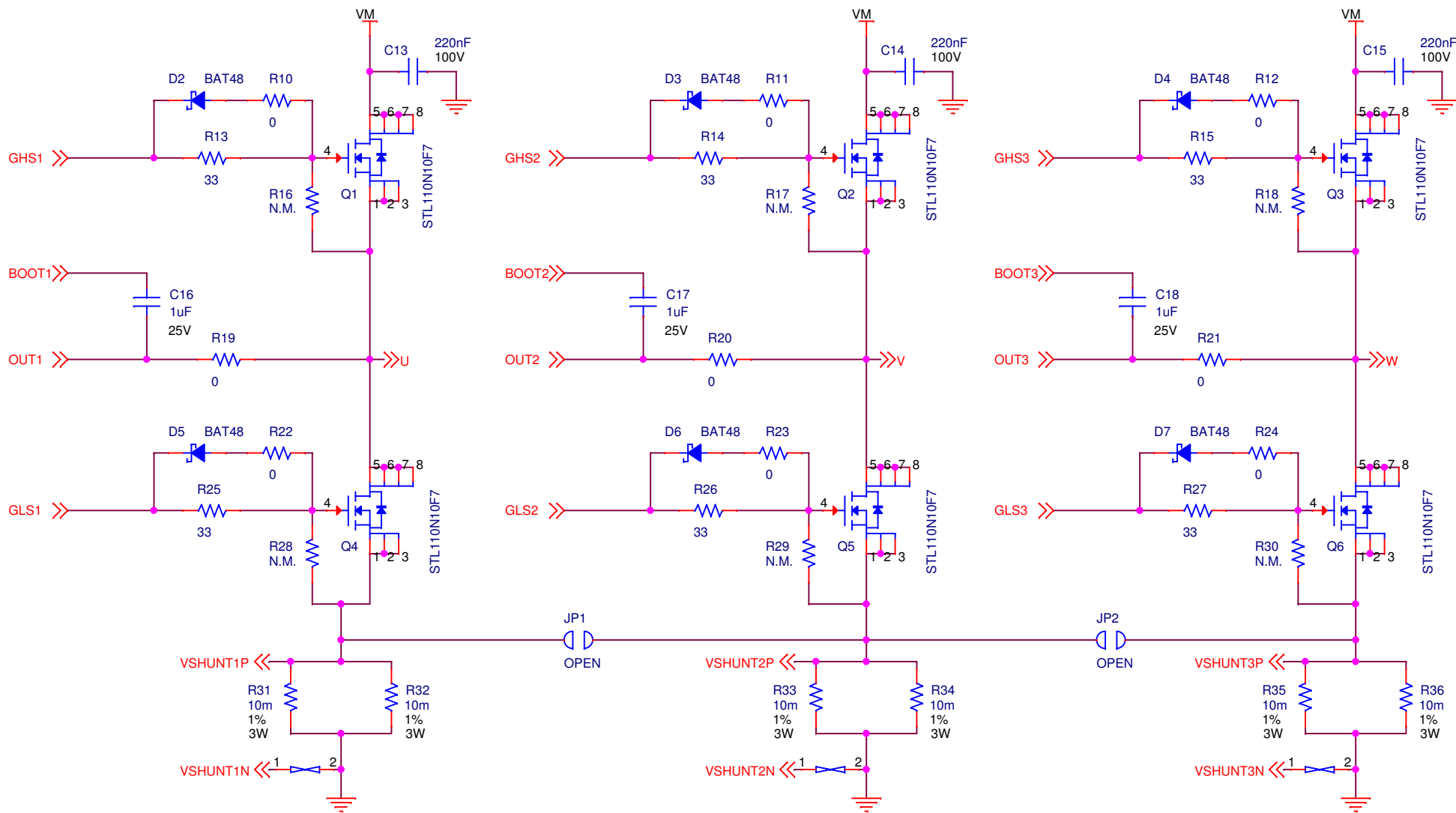

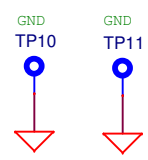
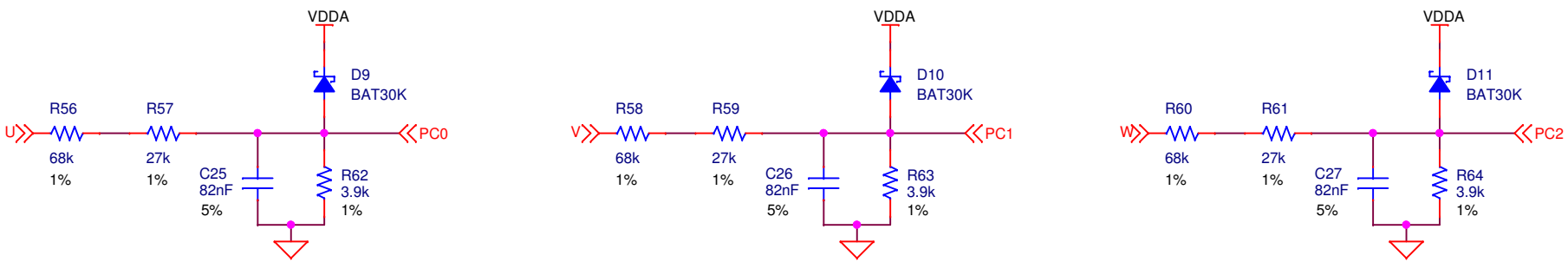
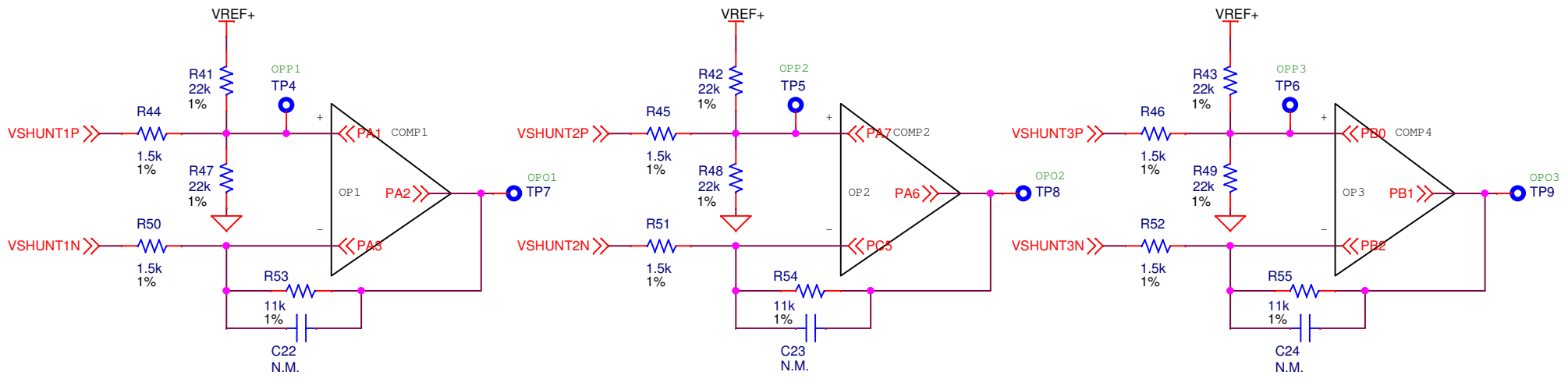
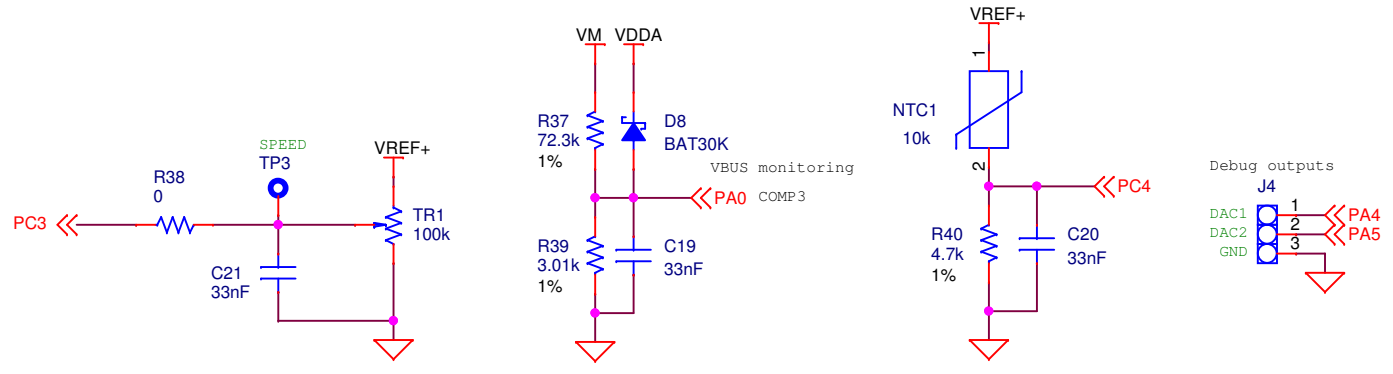
 life.augmented	Board Title EVSPIN32G4NH			This drawing and the information herein are property of STMicroelectronics and are intended for evaluation purpose only
	Sheet Title STSPIN32G4			
Doc No	Date Thursday, March 11, 2021	Rev 1	Sheet 1 / 6	




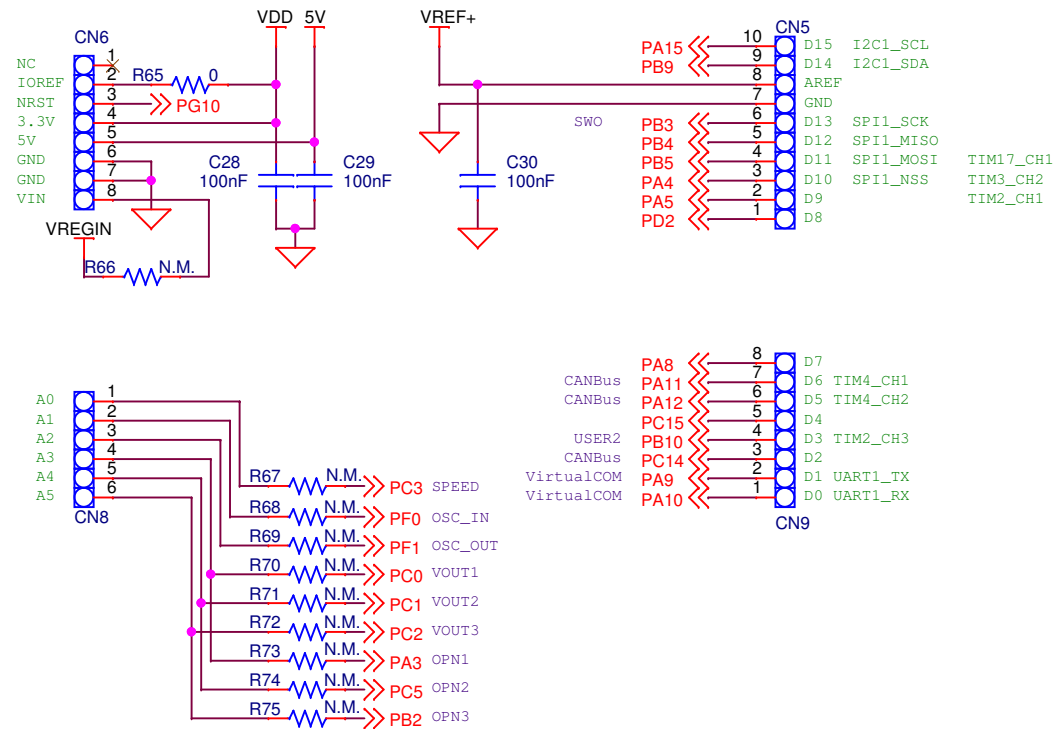
 life.augmented	Board Title EVSPIN32G4NH			This drawing and the information herein are property of STMicroelectronics and are intended for evaluation purpose only
	Sheet Title Power Stage			
Doc No	Date Thursday, March 11, 2021	Rev 1	Sheet 2 / 6	

Current sensing circuitry topology

	3 OpAmp	2 OpAmp (OP1 + OP2)	PGA
IN1+	PA1	PA1	PA1
IN1-	PA3		
OUT1	PA2	PA2	
IN2+	PA7	PA7	PA7
IN2-	PC5		
OUT2	PA6	PA6	
IN3+	PB0	PB0	PB0
IN3-	PB2		
OUT3	PB1		



 life.augmented	Board Title EVSPIN32G4NH			This drawing and the information herein are property of STMicroelectronics and are intended for evaluation purpose only
	Sheet Title Analog Sensing			
Doc No	Date Thursday, March 11, 2021	Rev 1	Sheet 3 / 6	



life.augmented

Board Title EVSPIN32G4NH

Sheet Title Arduino Connector

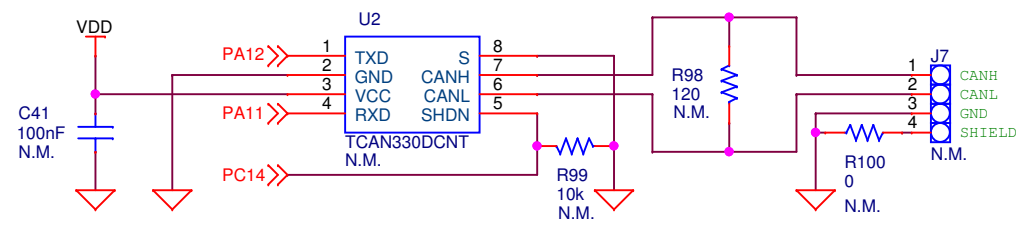
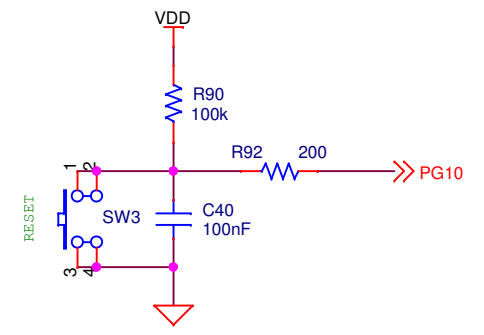
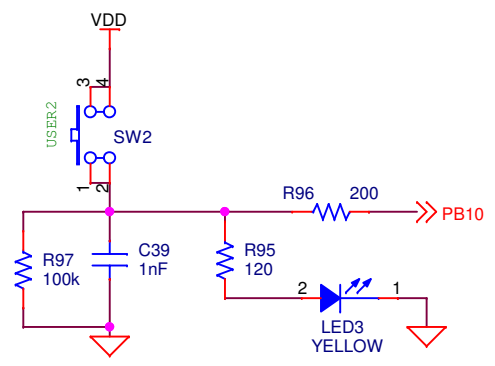
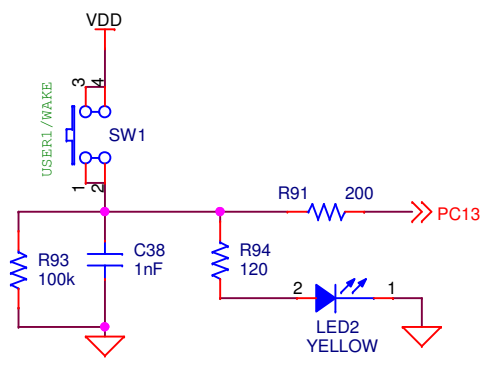
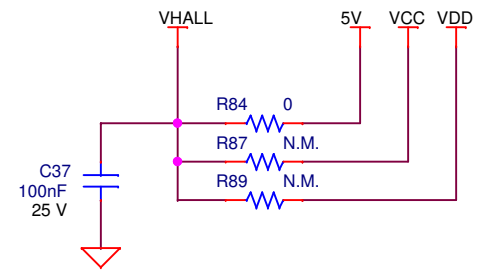
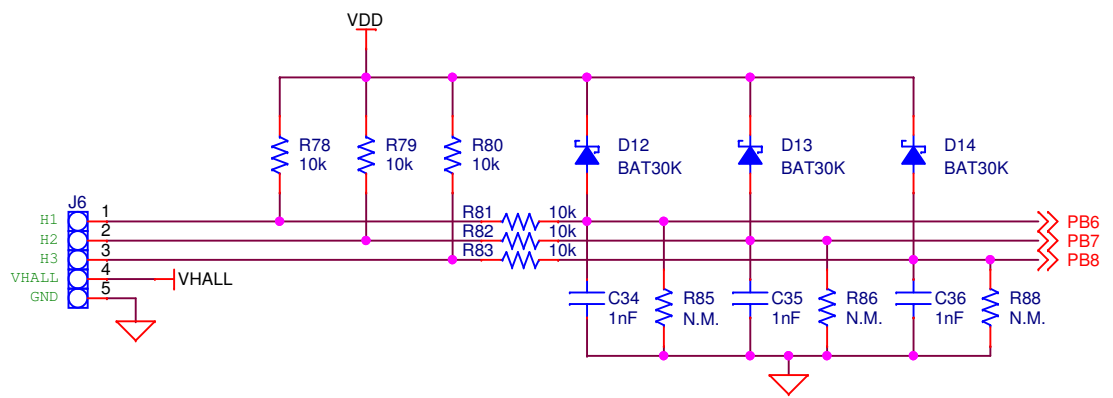
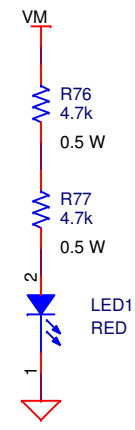
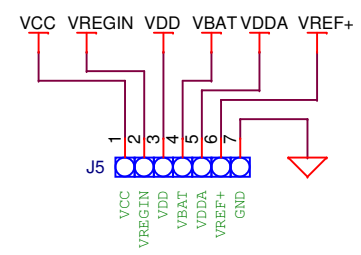
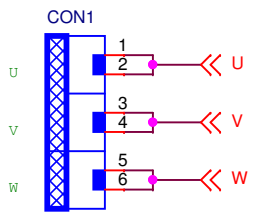
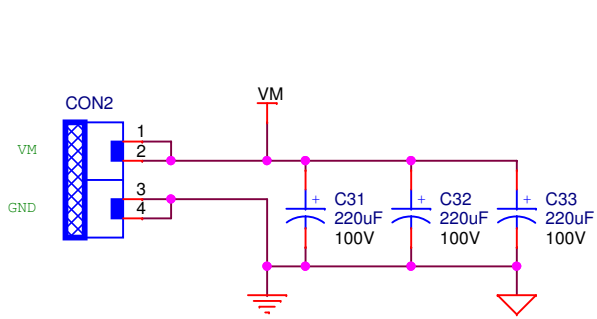
Doc No


Date
Thursday, March 11, 2021

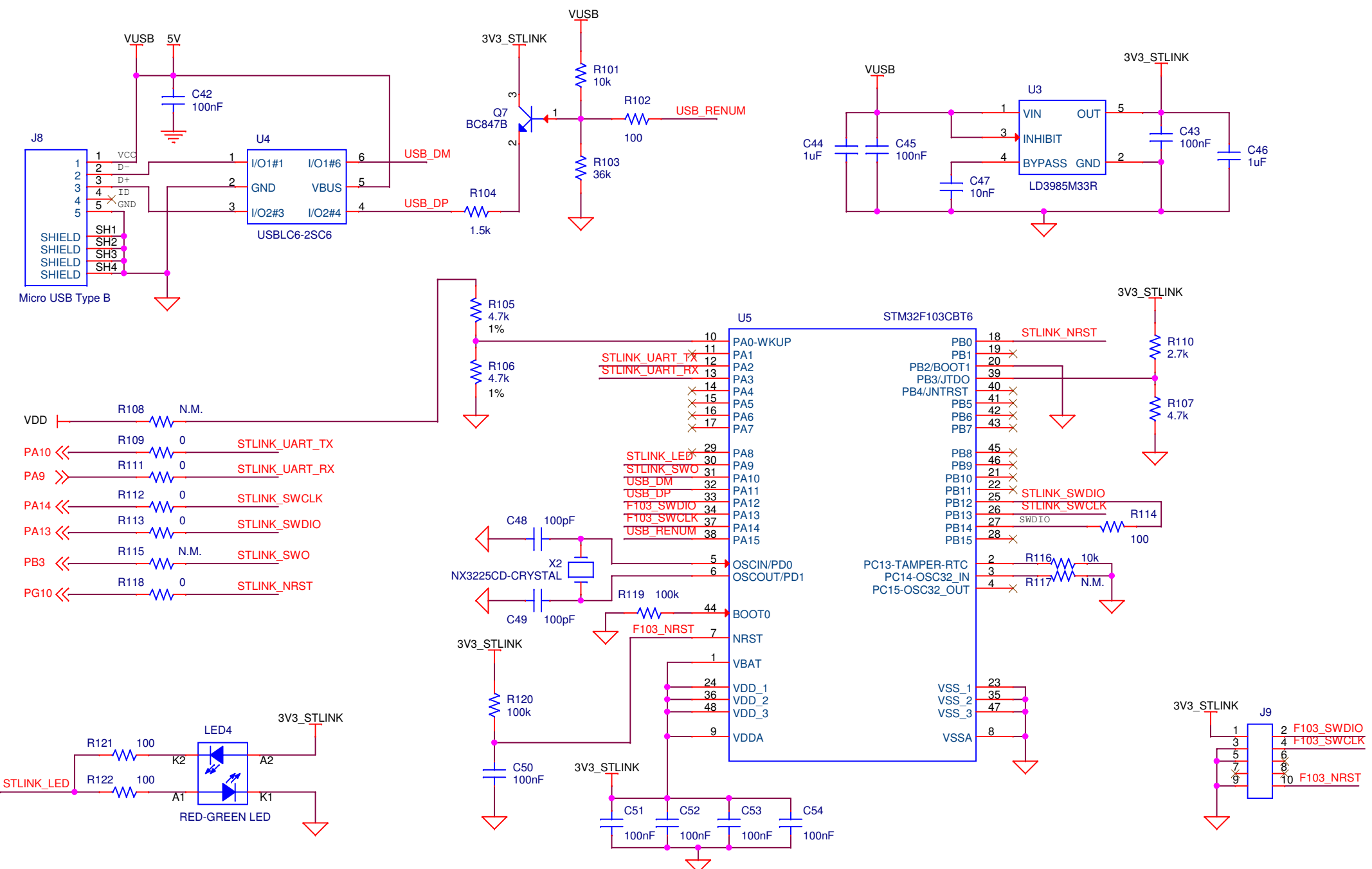
Rev
1


Sheet
4 / 6

This drawing and the information herein are property of STMicroelectronics and are intended for evaluation purpose only



 life.augmented	Board Title EVSPIN32G4NH			This drawing and the information herein are property of STMicroelectronics and are intended for evaluation purpose only
	Sheet Title Inputs and Outputs			
Doc No	Date Thursday, March 11, 2021	Rev 1	Sheet 5 / 6	



 life.augmented	Board Title EVSPIN32G4NH			This drawing and the information herein are property of STMicroelectronics and are intended for evaluation purpose only
	Sheet Title ST-Link			
Doc No	Date Thursday, March 11, 2021	Rev 1	Sheet 6 / 6	