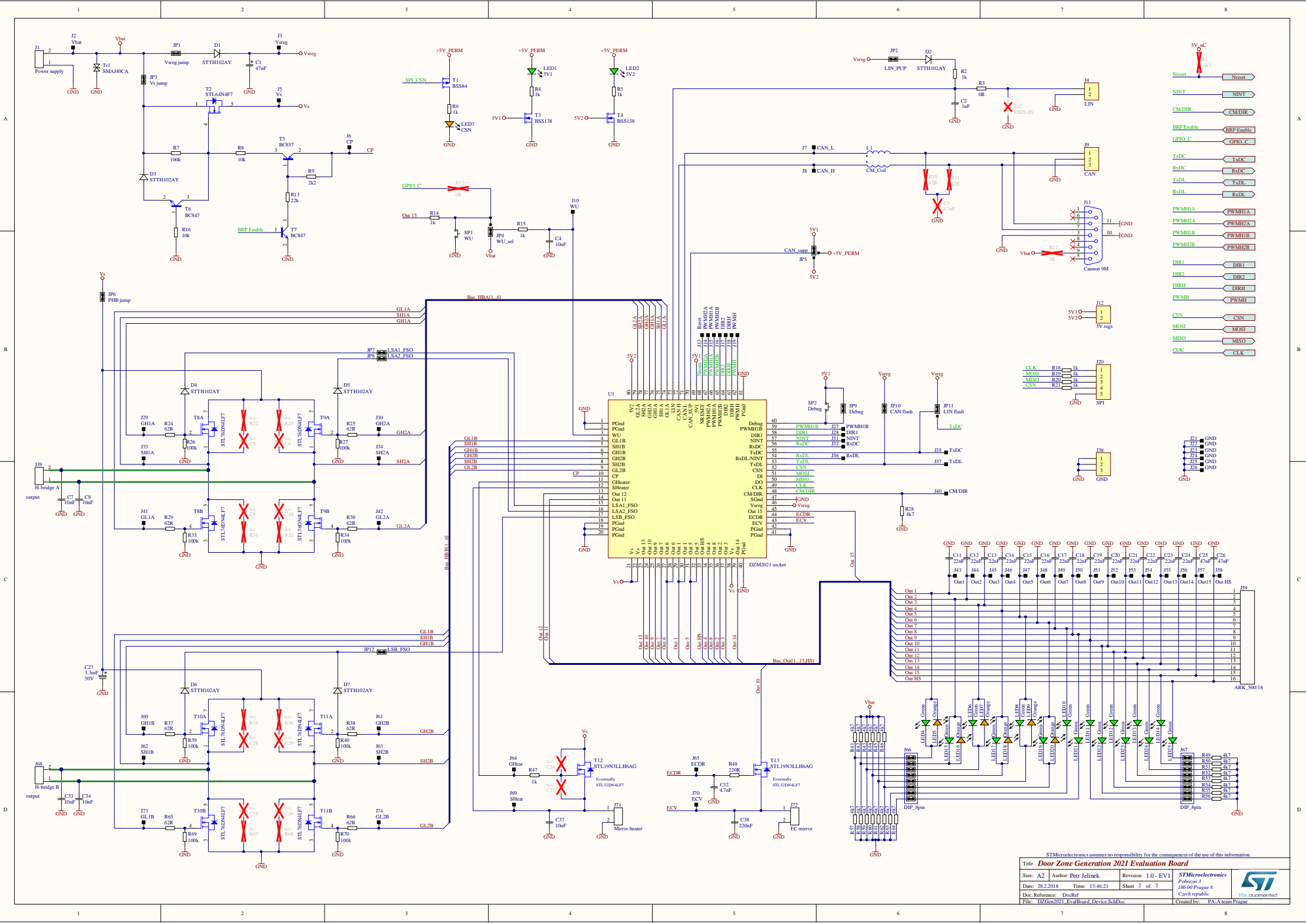


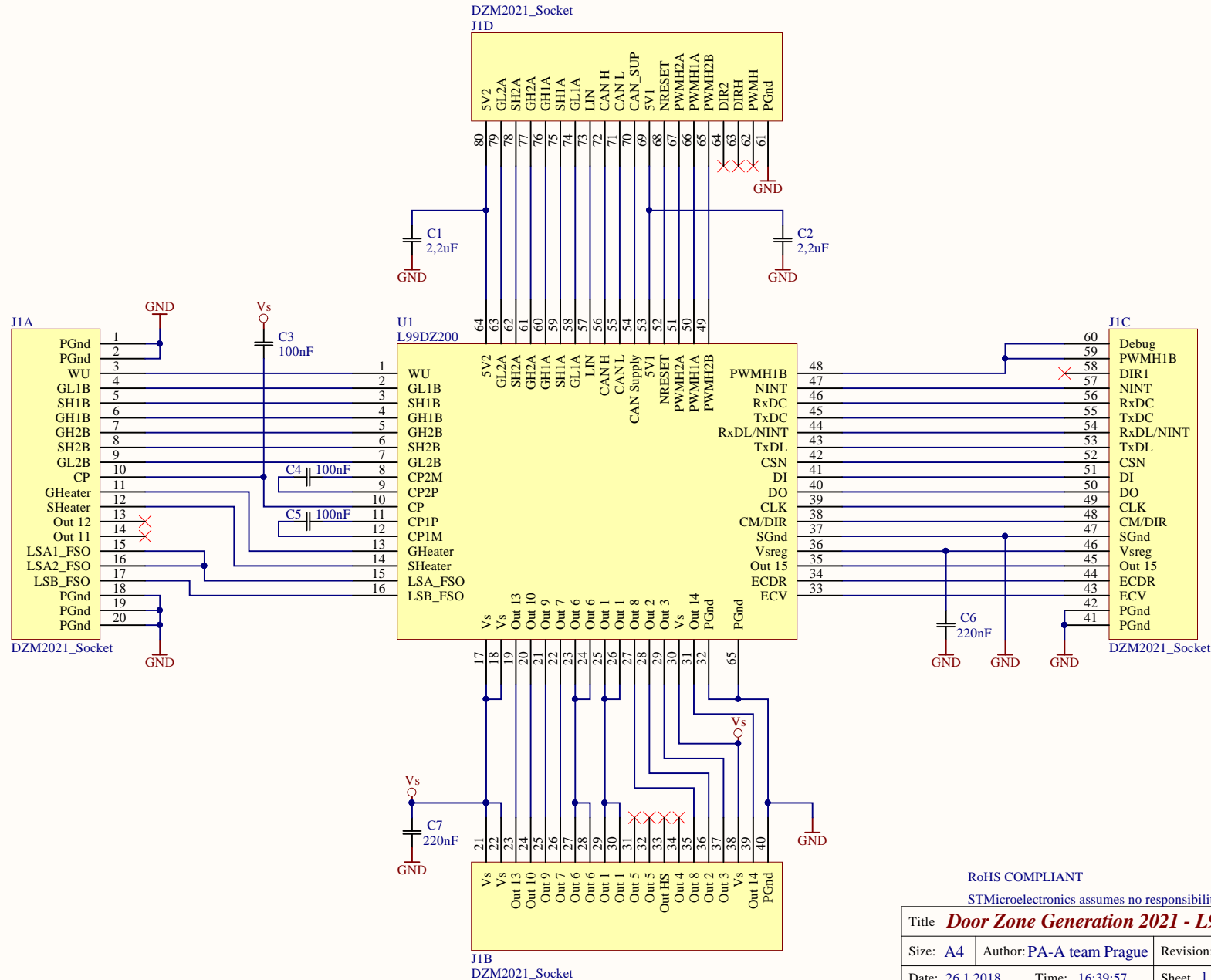
RoHS COMPLIANT  
 DEMO BOARD FOR EVALUATION PURPOSE ONLY!  
 STMicroelectronics assumes no responsibility for the consequences of the use of this information

Title <b>Door Zone Generation 2021 Evaluation Board</b>			
Size: A3	Author: PA-A team Prague	Revision: 1.0 - EV1	STMicroelectronics Pobreni 3 186 00 Prague 8 Czech republic life.augmented
Date: 28.2.2018	Time: 13:46:21	Sheet 1 of 2	Created by: Petr Jelinek
Doc. Reference: DocRef	File: DZGen2021_EvalBoard_SPC.SchDoc		





Assembly marks



RoHS COMPLIANT

STMicroelectronics assumes no responsibility for the consequences of the use of this information

Title <b>Door Zone Generation 2021 - L99DZ200 Daughterboard</b>			
Size: A4	Author: PA-A team Prague	Revision: 1.0	 186 00 Prague 8 Czech republic life.augmented
Date: 26.1.2018	Time: 16:39:57	Sheet 1 of 1	
Doc. Reference: DocRef			Created by: Petr Jelínek
File: DZGen2021_DZ200_Daughterboard.SchDoc			