

# LCD daughter board

---

MB1315

---

## Table of contents

---

Sheet 1: Project overview (this page)

Sheet 2: MB1315

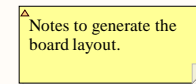
## Legend

---

General comment such as function title, configuration, ...

Text to be added to silkscreen.

Warning text.



## Open Platform License Agreement

---

The Open Platform License Agreement ("Agreement") is a binding legal contract between you ("You") and STMicroelectronics International N.V. ("ST"), a company incorporated under the laws of the Netherlands acting for the purpose of this Agreement through its Swiss branch 39, Chemin du Champ des Filles, 1228 Plan-les-Ouates, Geneva, Switzerland.

By using the enclosed reference designs, schematics, PC board layouts, and documentation, in hardcopy or CAD tool file format (collectively, the "Reference Material"), You are agreeing to be bound by the terms and conditions of this Agreement. Do not use the Reference Material until You have read and agreed to this Agreement terms and conditions. The use of the Reference Material automatically implies the acceptance of the Agreement terms and conditions.

The complete Open Platform License Agreement can be found on [www.st.com/opla](http://www.st.com/opla).

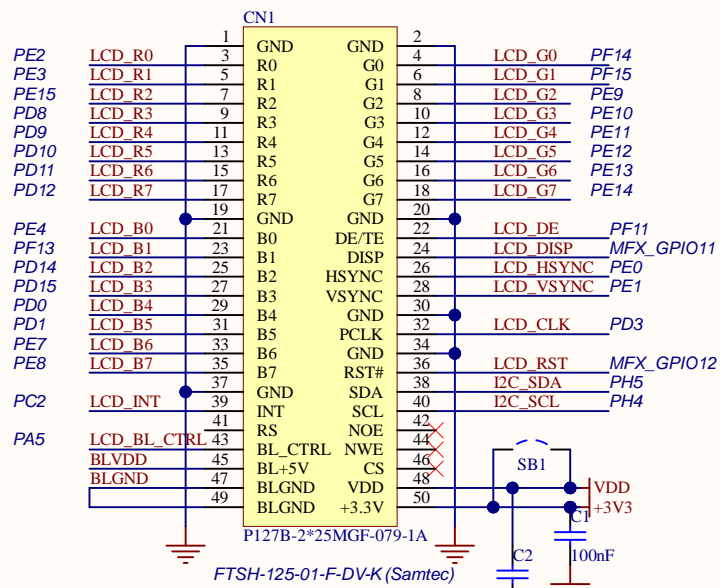
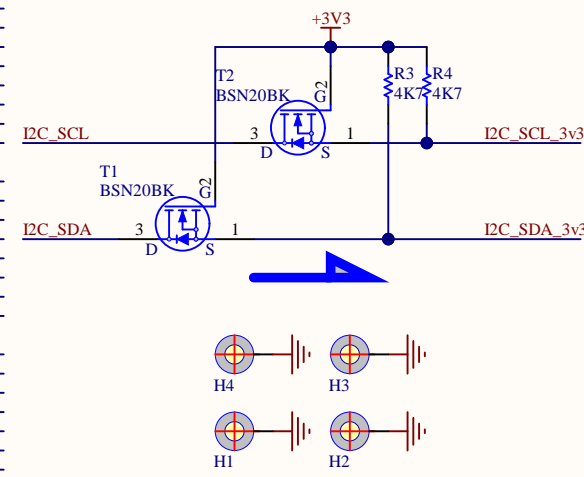
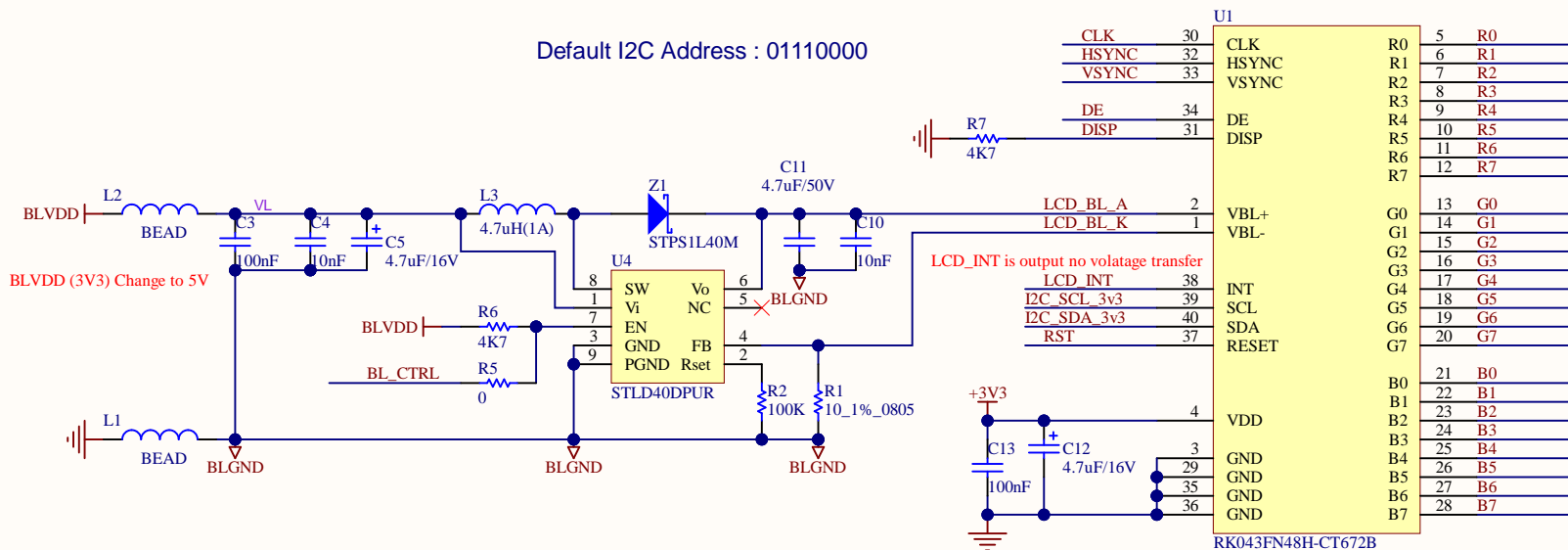
U\_MB1315  
MB1315.SchDoc



Title: <b>Project overview</b>		
Project: <b>LCD daughter board</b>		
Variant: [No Variations]		
Revision: A-02	Reference: MB1315	
Size: A4	Date: 05/11/2020	Sheet: 1 of 2



Default I2C Address : 01110000



TFT LCD

