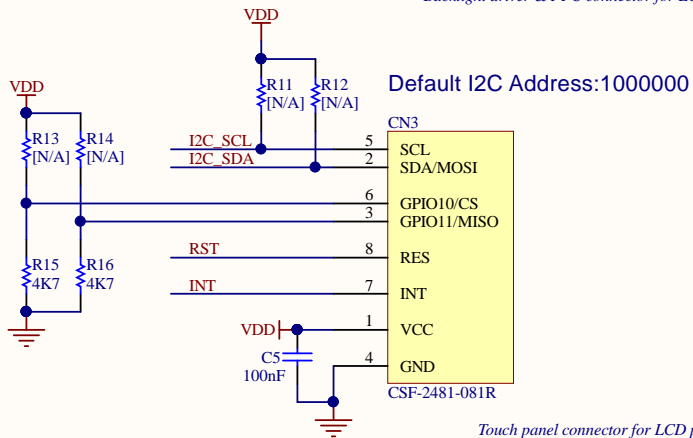
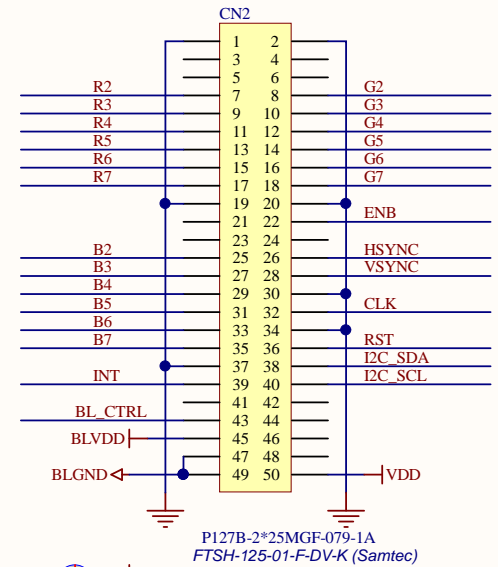


Backlight driver & PFC connector for LCD panel



Touch panel connector for LCD panel



Connector for motherboard

Note1: Text in italic placed on a wire doesn't correspond to net name. It just helps to identify rapidly MCU IO related to this wire.  
Note2: Pull up resistor R9 was added from Version A.1 to B.1  
Note3: Backlight On/Off control circuit was removed from Version A.1 to B.1

# STMicroelectronics

Title: 5.7 inch LCD board