

4" DSI LCD board with FFC

MB1407

Table of contents

Sheet 1: Project (this page)

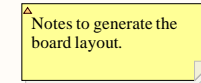
Sheet 2: 4" DSI LCD

Legend

General comment such as function title, configuration, ...

Text to be added to silkscreen.

Warning text.



Open Platform License Agreement

The Open Platform License Agreement ("Agreement") is a binding legal contract between you ("You") and STMicroelectronics International N.V. ("ST"), a company incorporated under the laws of the Netherlands acting for the purpose of this Agreement through its Swiss branch 39, Chemin du Champ des Filles, 1228 Plan-les-Ouates, Geneva, Switzerland.

By using the enclosed reference designs, schematics, PC board layouts, and documentation, in hardcopy or CAD tool file format (collectively, the "Reference Material"), You are agreeing to be bound by the terms and conditions of this Agreement. Do not use the Reference Material until You have read and agreed to this Agreement terms and conditions. The use of the Reference Material automatically implies the acceptance of the Agreement terms and conditions.

The complete Open Platform License Agreement can be found on www.st.com/opla.

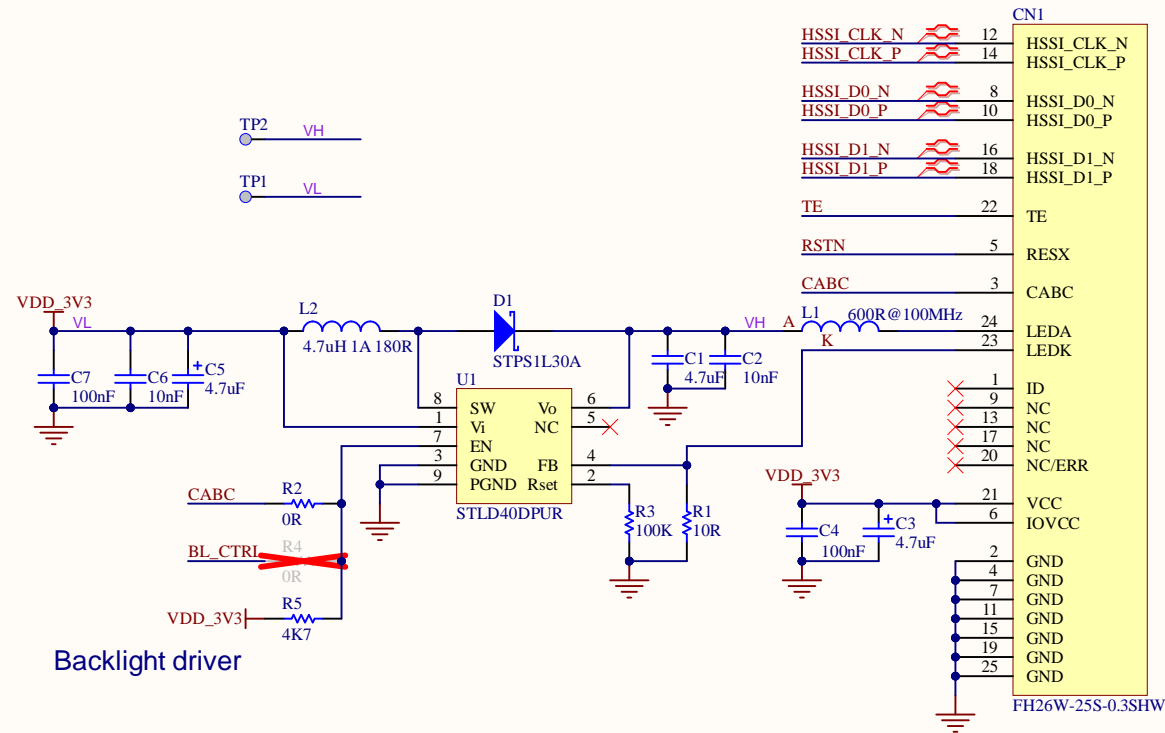
U_4inches_DSI_LCD
4inches_DSI_LCD.SchDoc



Title: MB1407		
Project: 4" DSI LCD board with FFC		
Variant: LCD		
Revision: C-02		Reference: MB1407
Size: A4	Date: 30/01/2019	Sheet: 1 of 1

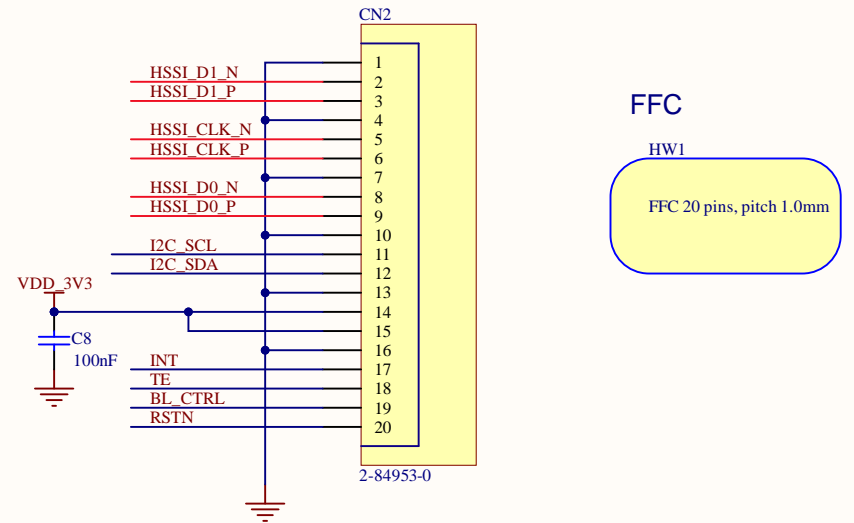


LCD FFC connector

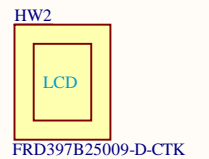


Backlight driver

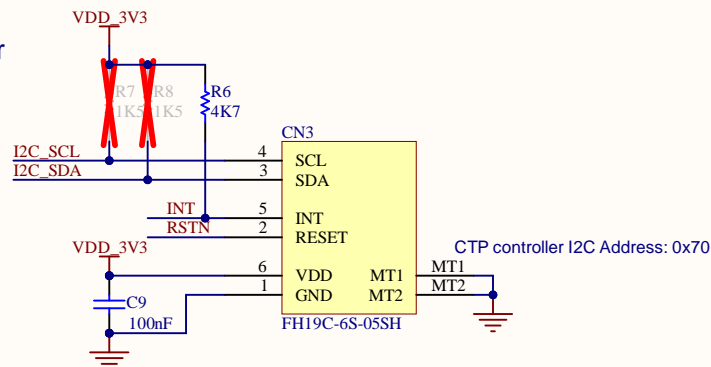
Mother board FFC connector



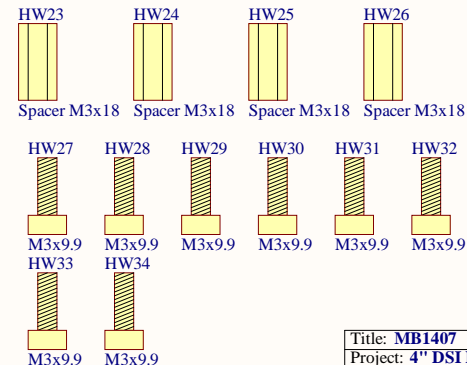
FRIDA LCD module 480x800 pixels



Self-Capacitive Touch Panel connector



CTP controller I2C Address: 0x70



HW22
BOARD REF
MB1407X-YY Ayywxxxx

HW20
BOARD CPN
CPN

