

Camera module (OV5640)

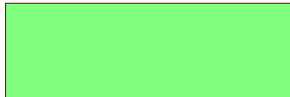
MB1379

Table of contents

Sheet 1: Project overview (this page)

Sheet 2: mb1379

U_MB1379
MB1379.SchDoc

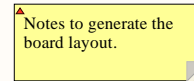


Legend

General comment such as function title, configuration, ...

Text to be added to silkscreen.

Warning text.



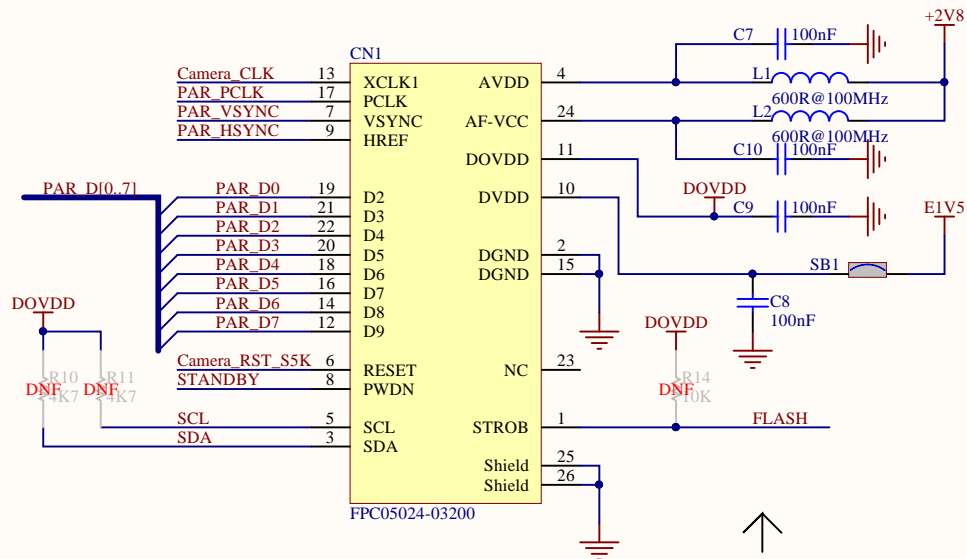
OPEN PLATFORM LICENSE AGREEMENT

The Open Platform License Agreement (“Agreement”) is a binding legal contract between you (“You”) and STMicroelectronics International N.V. (“ST”), a company incorporated under the laws of the Netherlands acting for the purpose of this Agreement through its Swiss branch 39, Chemin du Champ des Filles, 1228 Plan-les-Ouates, Geneva, Switzerland.

By using the enclosed reference designs, schematics, PC board layouts, and documentation, in hardcopy or CAD tool file format (collectively, the “Reference Material”), You are agreeing to be bound by the terms and conditions of this Agreement. Do not use the Reference Material until You have read and agreed to this Agreement terms and conditions. The use of the Reference Material automatically implies the acceptance of the Agreement terms and conditions.

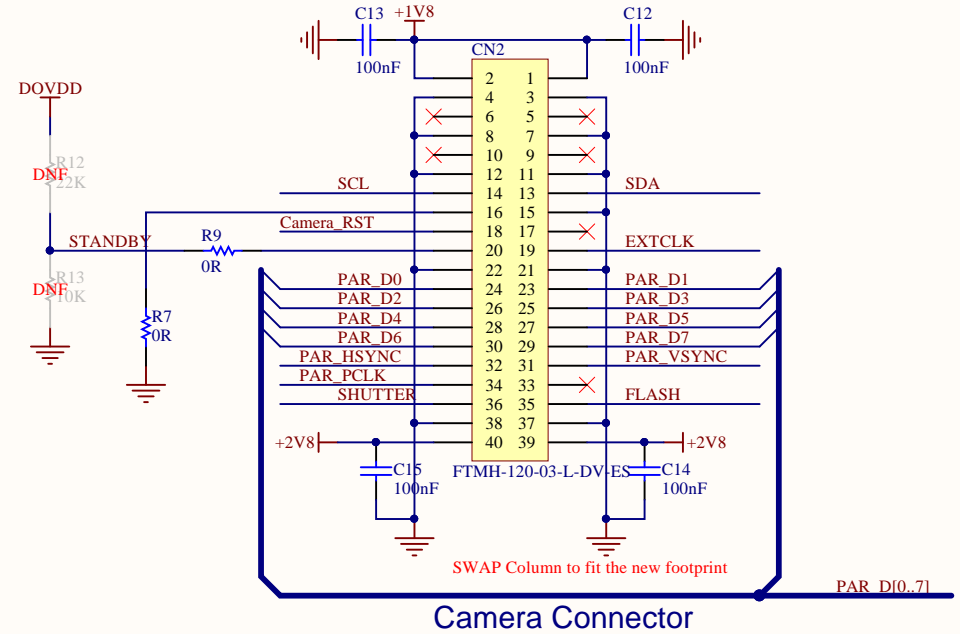
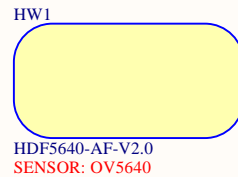
The complete Open Platform License Agreement can be found on www.st.com/opla.

Title: Project overview		
Project: Camera module (OV5640)		
Variant: 2V8		
Revision: A-02		Reference: MB1379
Size: A4	Date: 19-APR-18	Sheet: 1 of 2



PWDN: active high, with internal pull-down resistor
 RESET: active low, with internal pull-up resistor

Power:
 1. AVDD: 2.8V
 2. AF-VCC (for Motor): 2.8V
 3. DVDD: 1.5V, external 1.5V or internal 1.5V from internal regulator via DOVDD
 4. DOVDD: 1.8V or 2.8V config by Solder bridge



Camera Connector

